

4

3

2

1

THIS DRAWING IS UNPUBLISHED.

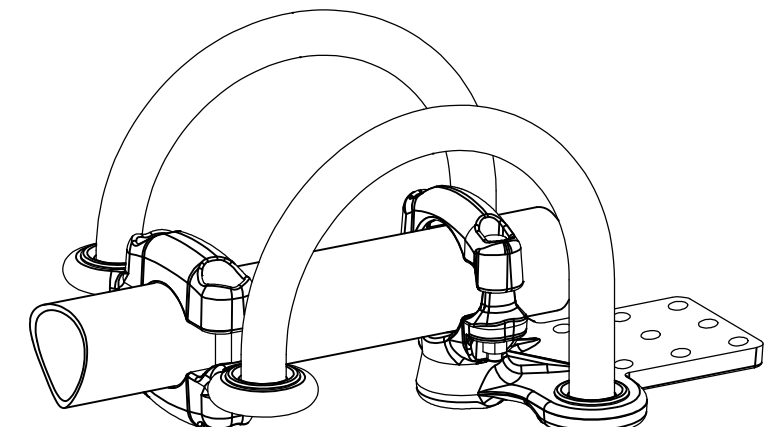
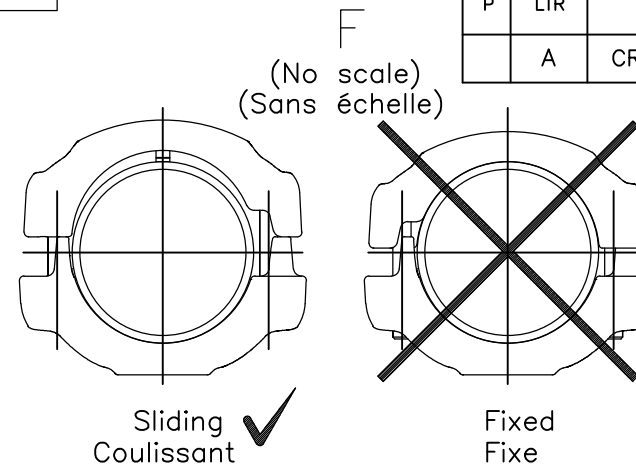
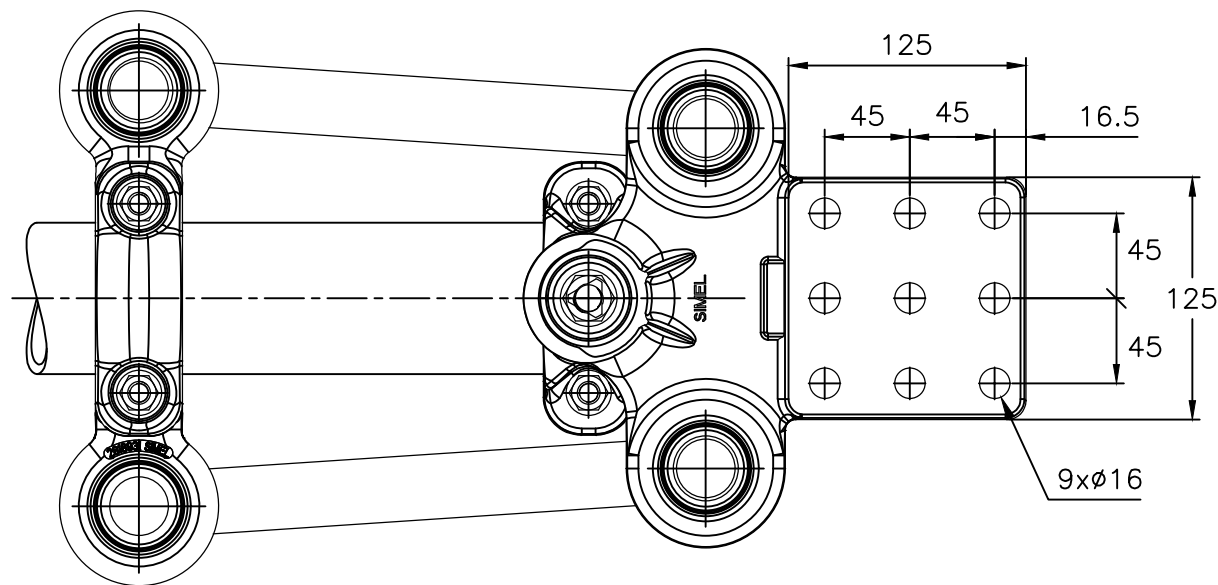
RELEASED FOR PUBLICATION

ALL RIGHTS RESERVED.

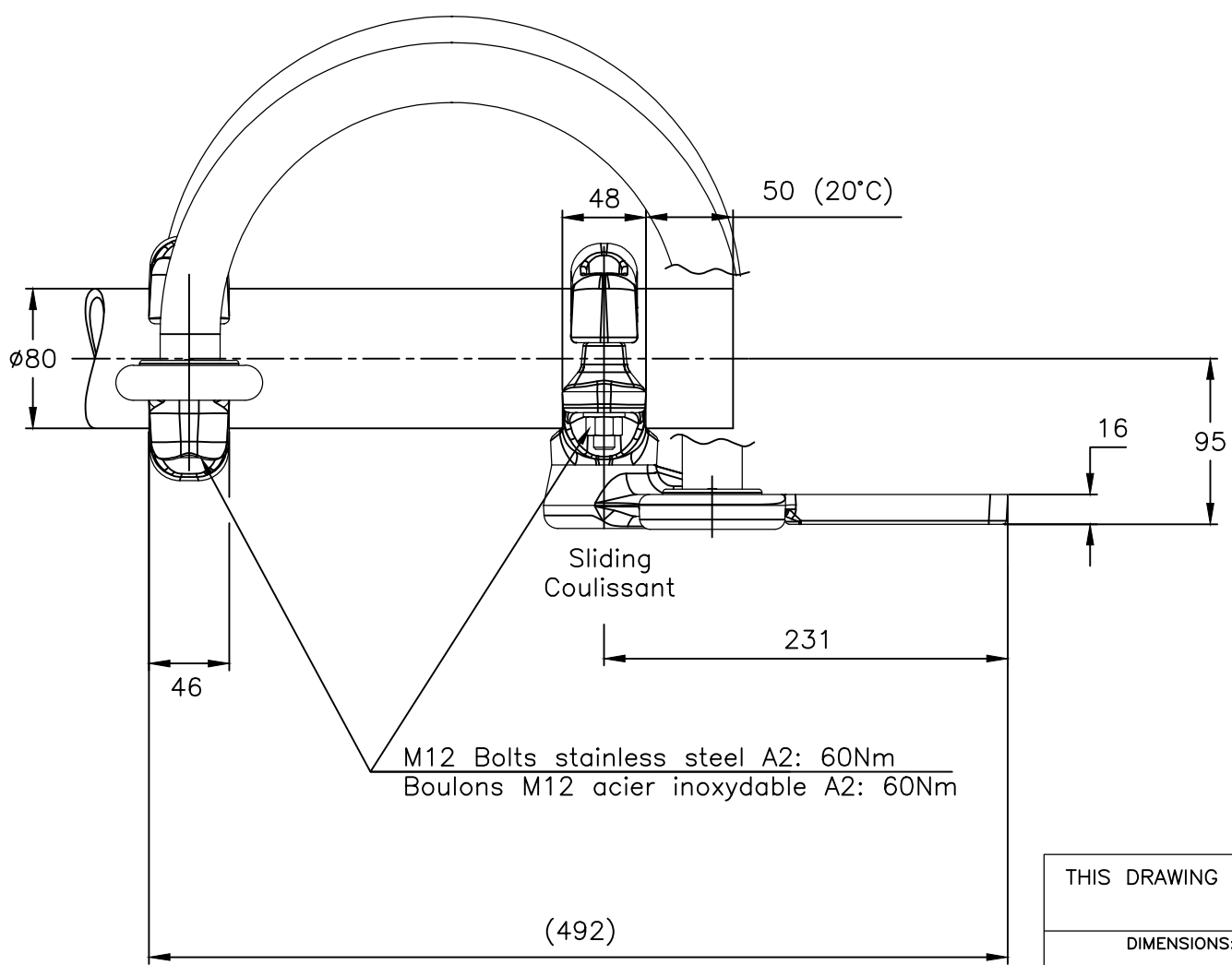
© COPYRIGHT - By -

REVISIONS

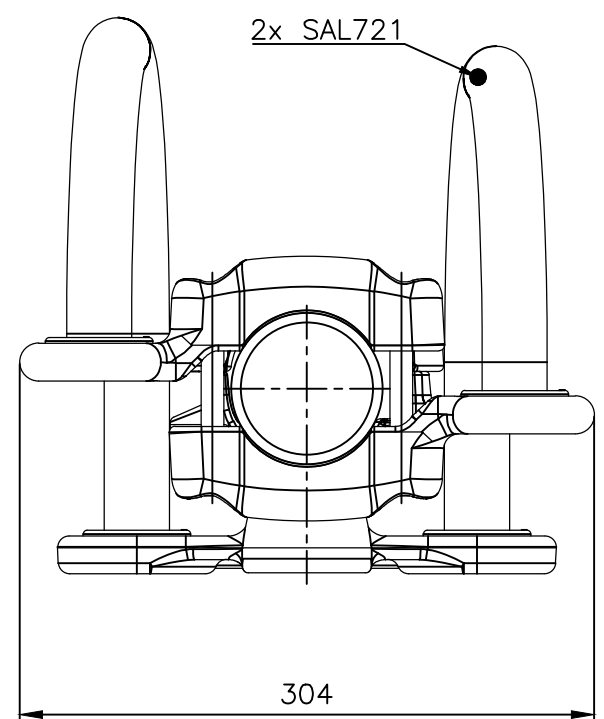
P	LTR	DESCRIPTION	DATE	DWN	APVD
	A	CREATION	20-JAN-17	JG	-



No scale  
Sans échelle



M12 Bolts stainless steel A2: 60Nm  
Boulons M12 acier inoxydable A2: 60Nm



THIS DRAWING IS A CONTROLLED DOCUMENT.		DWN GODARD	20-Jan-2017	<b>STE</b> TE Connectivity	
DIMENSIONS: mm		CHK -	APVD -		
TOLERANCES UNLESS OTHERWISE SPECIFIED:		PRODUCT SPEC		NAME EXPANSION CONNECTOR FOR TUBE TO PAD RACCORD A DILATATION POUR TUBE SUR PLAGE	
0 PLC ± -		108-69090-001		5 TTPDL 82 T80 125 C41 27	
1 PLC ± -		APPLICATION SPEC		SIZE	CAGE CODE
2 PLC ± -		-		A3	00779
3 PLC ± -		-		DRAWING NO C=2315821	
4 PLC ± -		-		RESTRICTED TO -	
ANGLES ± -		APPROX.WEIGHT		SCALE	
FINISH		6.3 kg		1/4	
-		CUSTOMER DRAWING		SHEET	
-		-		1 OF 1	
-		-		REV	
-		-		A	

ITEM:.....