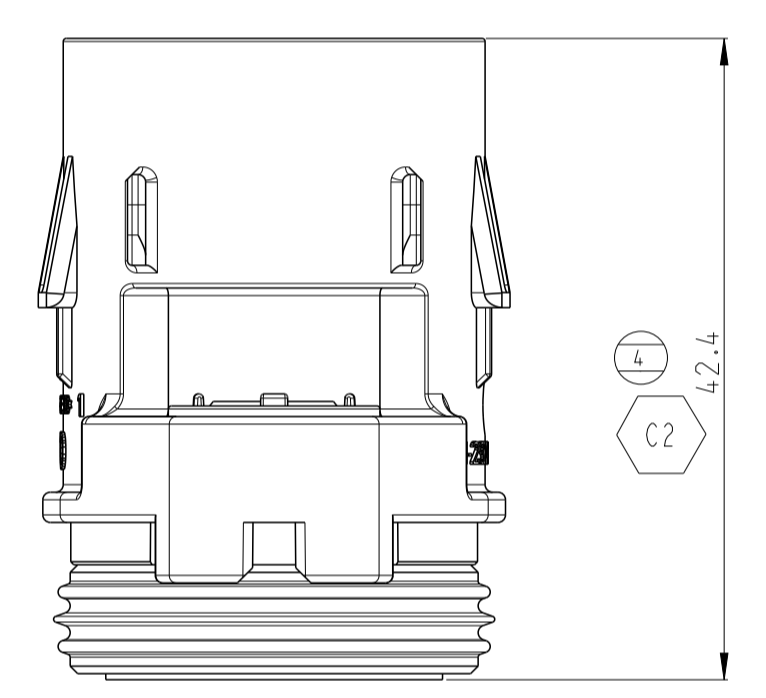
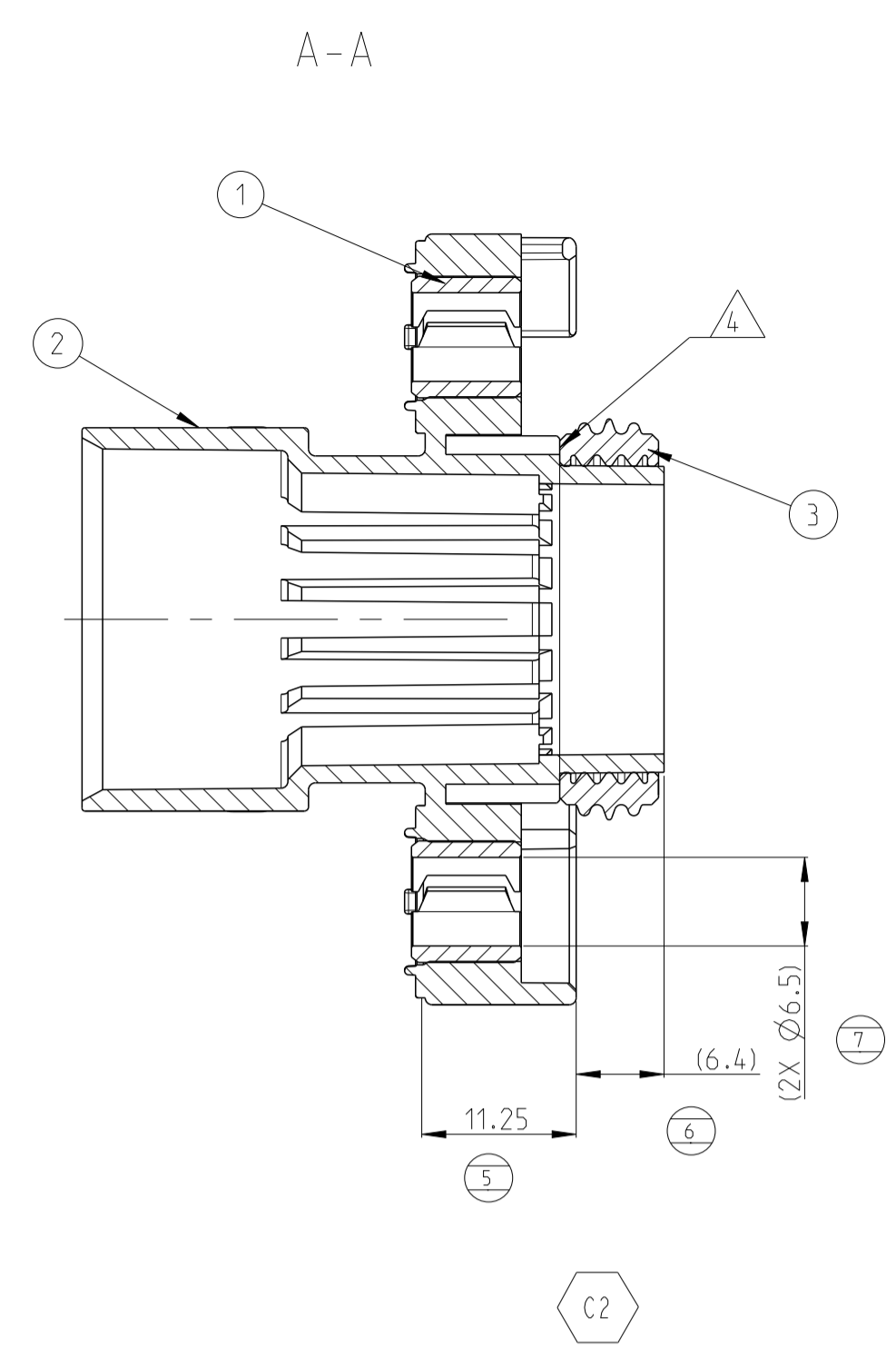
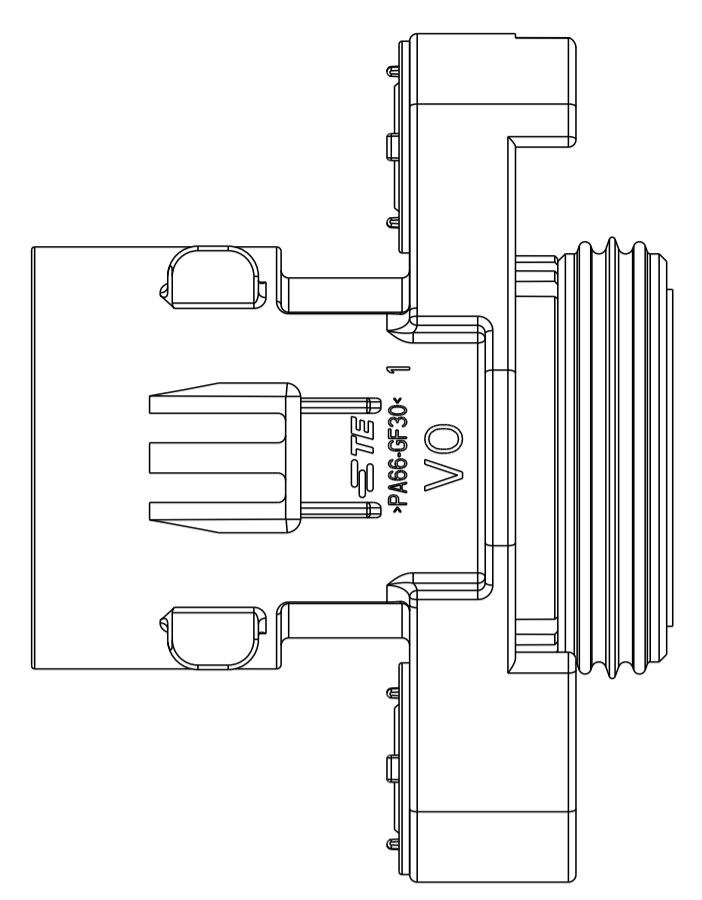
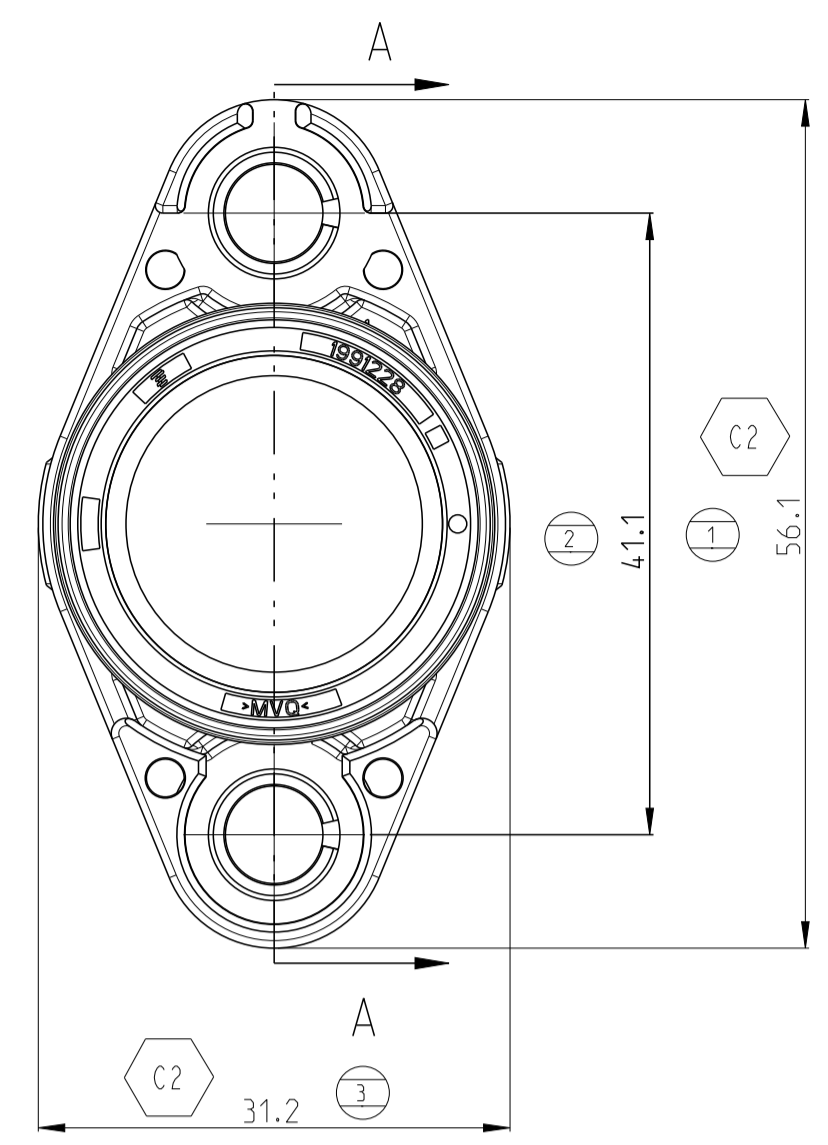


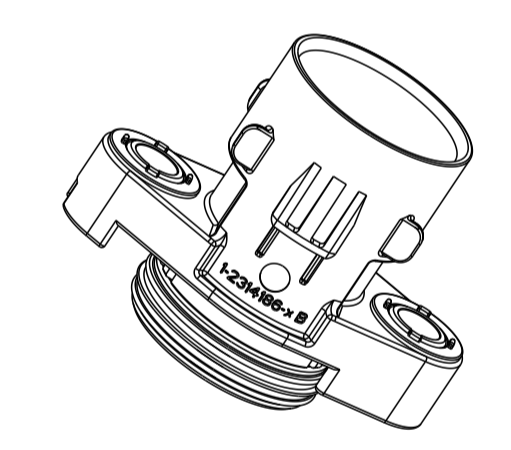
REVISIONS				
P	LTN	DESCRIPTION	DATE	OWN APVD
B1		REVISED ECO-18-017842	27NOV18	F.S E.J
C		ECN-21-11932	26SEP21	S.X E.J
C1		ECN-21-132795	03DEC21	S.X E.J
C2		ECN-23-194627	22NOV22	C.X E.J



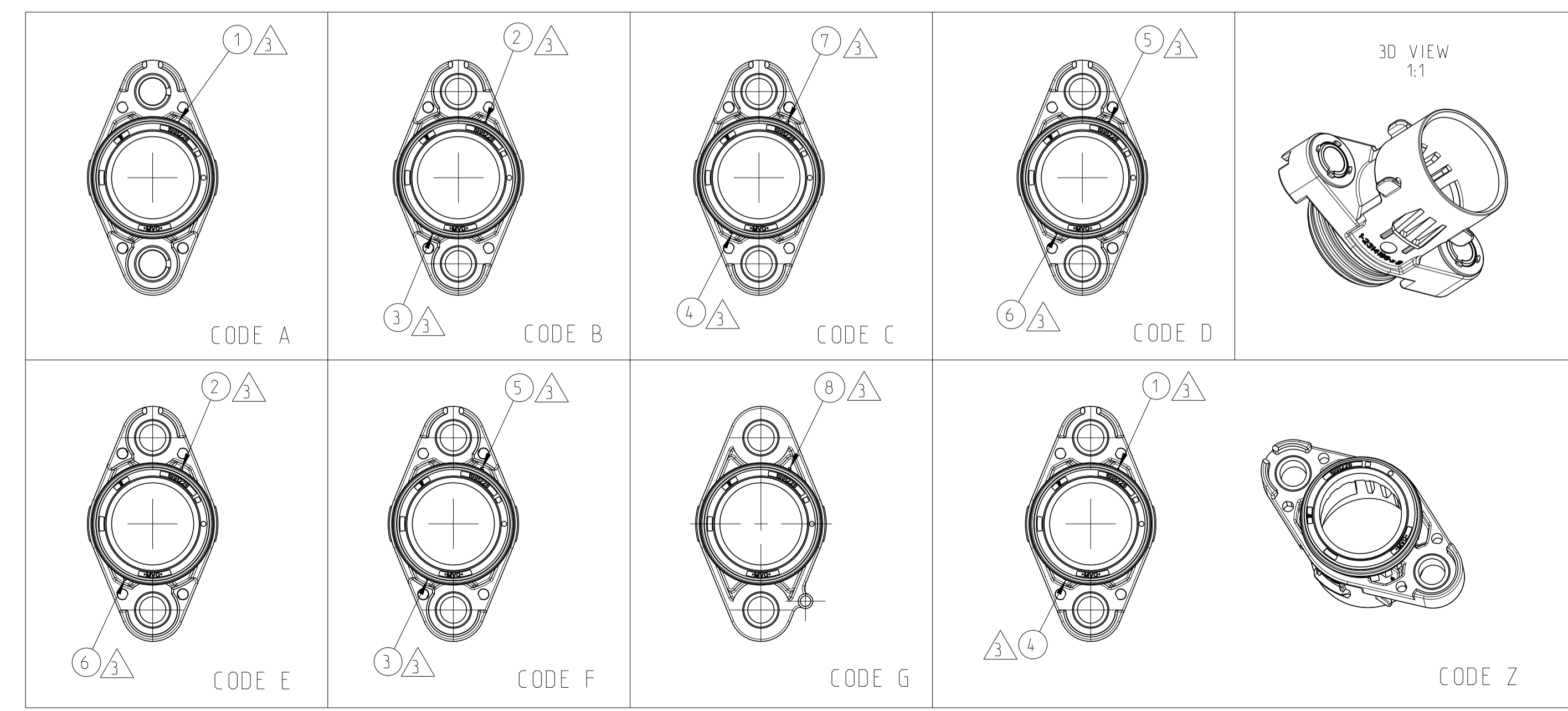
1 THIS PART(PLASTIC) IS UL94 V0 VERSION AND RELATED HB VERSION IS 1991226

VO VERSION	HB VERSION
2315654-1	1-1991226-2
2315654-2	2-1991226-2
2315654-3	3-1991226-2
2315654-4	4-1991226-2
2315654-5	5-1991226-2
2315654-6	6-1991226-2
1-2315654-1	/
1-2315654-2	/
1-2315654-3	/
1-2315654-4	/
1-2315654-5	/
1-2315654-6	/
2315654-1	3-2315654-1
2315654-2	3-2315654-2
2315654-3	3-2315654-3
2315654-4	3-2315654-4
2315654-5	3-2315654-5
2315654-6	3-2315654-6

- 2 PACKAGED IN CARTON WITH LAYER PAD
- △3 CODE IDENTIFICATION
- △4 ASSEMBLY FLUSH-MOUNTED TO THE SUPPORTING SURFACE
- 5 INTERFACE DRAWING: 114-94132-1
- 6 FOR 1-2315654-1/2/3/4/5/6, THE HEAD DIAMETER OF BOLT OR SHIMS DIAMETER SHOULD BE 11-14mm
- C2 7 MAX BURR: 0.38mm  
MUST BE FREE OF FLASH, CRACK, FLAW, DISCOLORATION OR OTHER IMPERFECTION WHICH COULD AFFECT ITS FUCTIONALITY.
- C2 8 NO PARTING LINE IS ALLOWED IN THE SEALING FUNCTION AREA.



CODINGS SCALE 1:1



CODE	TE ASSY NO.	SURFACE COLOR	MATERIAL	QTY	DESCRIPTION	ITEM
F	1-2315654-6	NATURAL	MVQ	1	PERIPHERAL SEAL	3
		ORANGE	PA66-GF, VO	1	1 POS RING TONGUE HOUSING IPT 16-50 mm <sup>2</sup>	2
		Ni PLATING	STAINLESS STEEL	2	COMPRESSION DELIMITER	1
E	1-2315654-5	NATURAL	MVQ	1	PERIPHERAL SEAL	3
		ORANGE	PA66-GF, VO	1	1 POS RING TONGUE HOUSING IPT 16-50 mm <sup>2</sup>	2
		Ni PLATING	STAINLESS STEEL	2	COMPRESSION DELIMITER	1
D	1-2315654-4	NATURAL	MVQ	1	PERIPHERAL SEAL	3
		ORANGE	PA66-GF, VO	1	1 POS RING TONGUE HOUSING IPT 16-50 mm <sup>2</sup>	2
		Ni PLATING	STAINLESS STEEL	2	COMPRESSION DELIMITER	1
C	1-2315654-3	NATURAL	MVQ	1	PERIPHERAL SEAL	3
		ORANGE	PA66-GF, VO	1	1 POS RING TONGUE HOUSING IPT 16-50 mm <sup>2</sup>	2
		Ni PLATING	STAINLESS STEEL	2	COMPRESSION DELIMITER	1
B	1-2315654-2	NATURAL	MVQ	1	PERIPHERAL SEAL	3
		ORANGE	PA66-GF, VO	1	1 POS RING TONGUE HOUSING IPT 16-50 mm <sup>2</sup>	2
		Ni PLATING	STAINLESS STEEL	2	COMPRESSION DELIMITER	1
A	1-2315654-1	NATURAL	MVQ	1	PERIPHERAL SEAL	3
		ORANGE	PA66-GF, VO	1	1 POS RING TONGUE HOUSING IPT 16-50 mm <sup>2</sup>	2
		Ni PLATING	STAINLESS STEEL	2	COMPRESSION DELIMITER	1

THIS DRAWING IS A CONTROLLED DOCUMENT. OWN: J.LI 03DEC2021  
 CHK: E.JIANG 28AUG2017  
 APVD: LYJIN 18SEP2017

DIMENSIONS: mm  
 TOLERANCES UNLESS OTHERWISE SPECIFIED:  
 1-PLC ±0.5  
 2-PLC ±0.5  
 3-PLC ±0.13  
 4-PLC ±0.013  
 ANGLES ±0.001

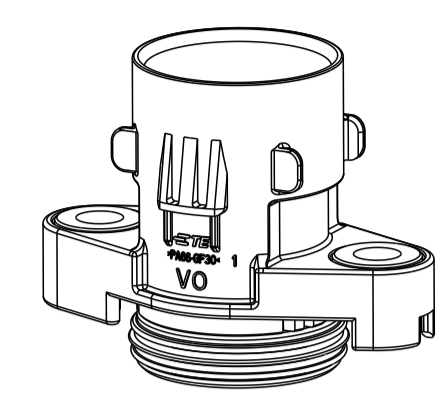
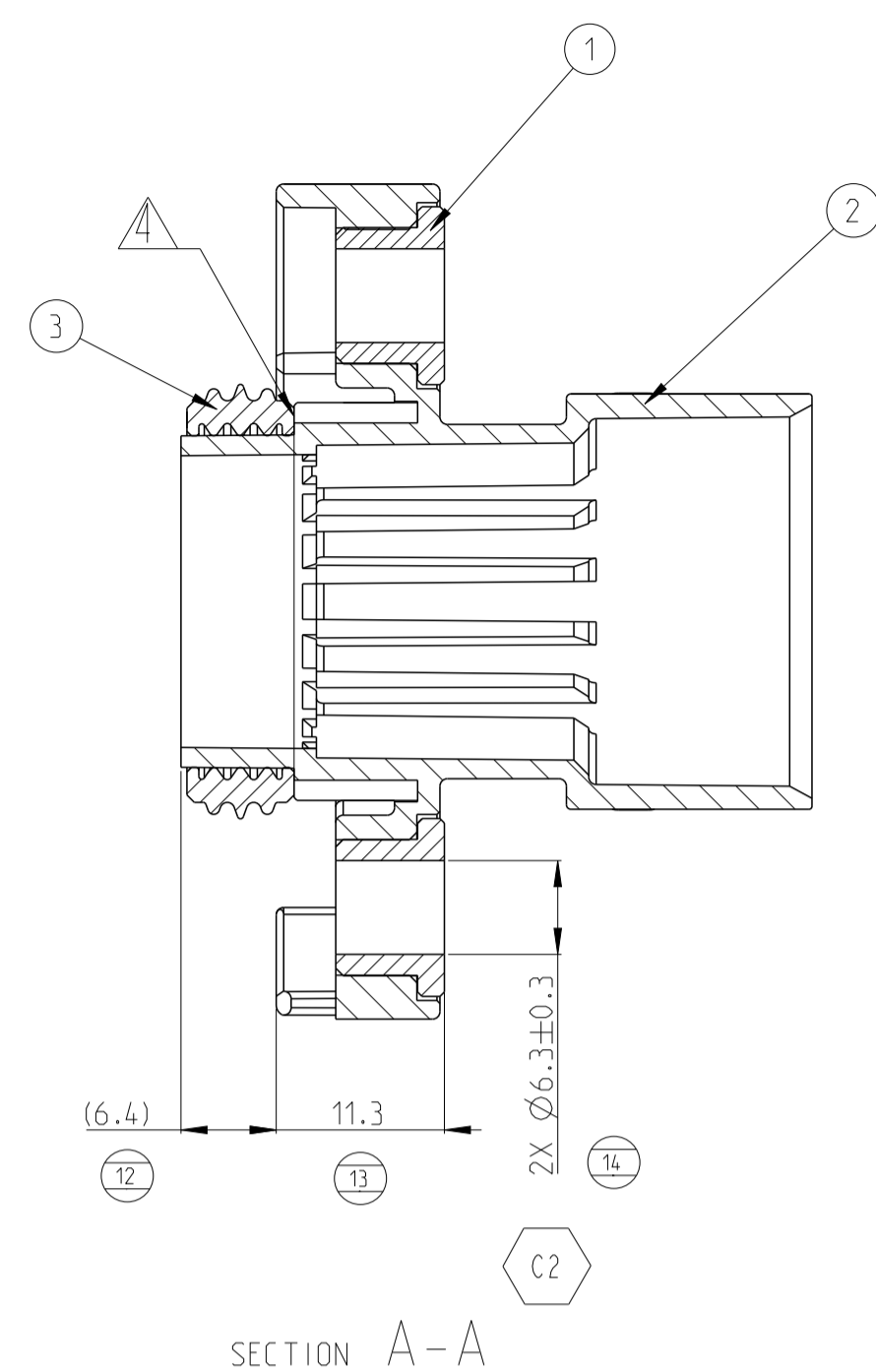
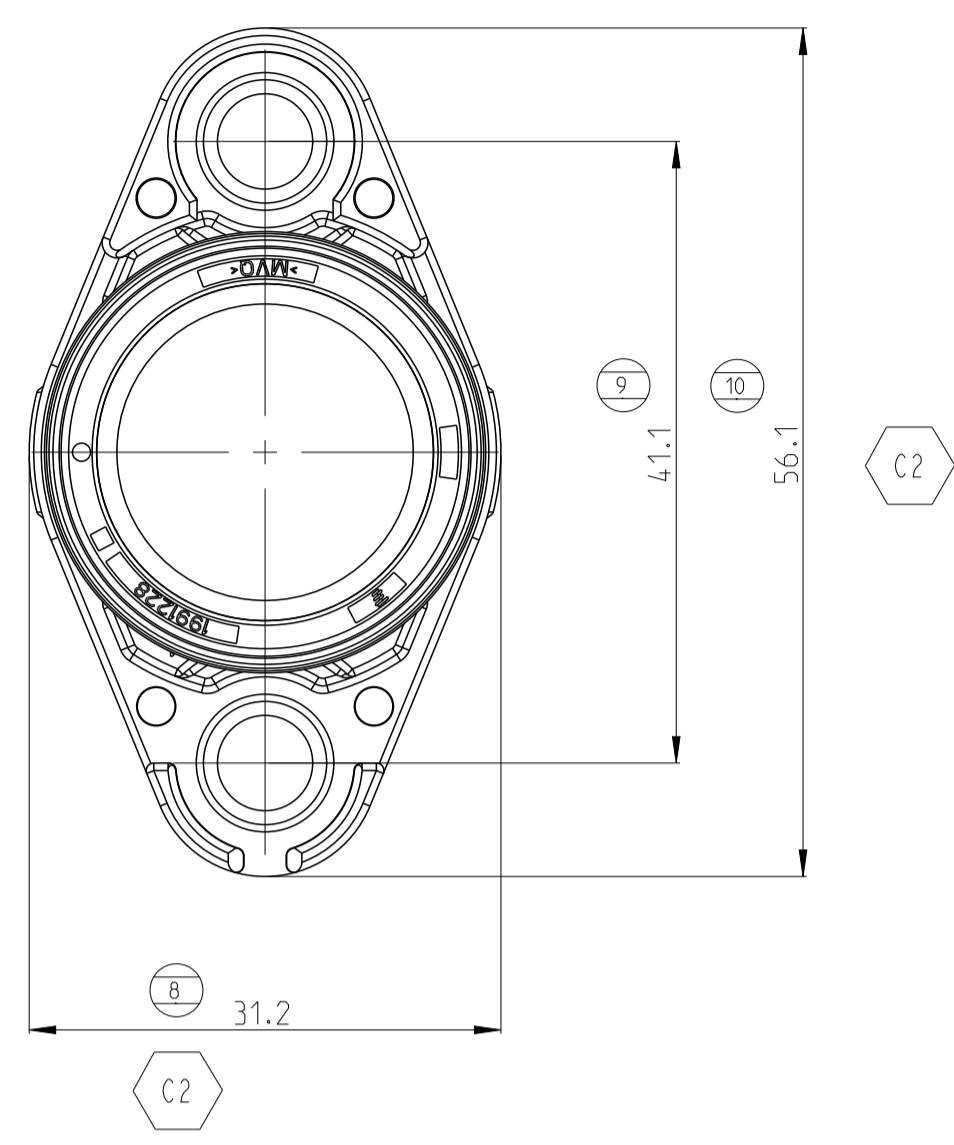
MATERIAL: TBD

THIS DRAWING IS A CONTROLLED DOCUMENT. OWN: J.LI 03DEC2021  
 CHK: E.JIANG 28AUG2017  
 APVD: LYJIN 18SEP2017

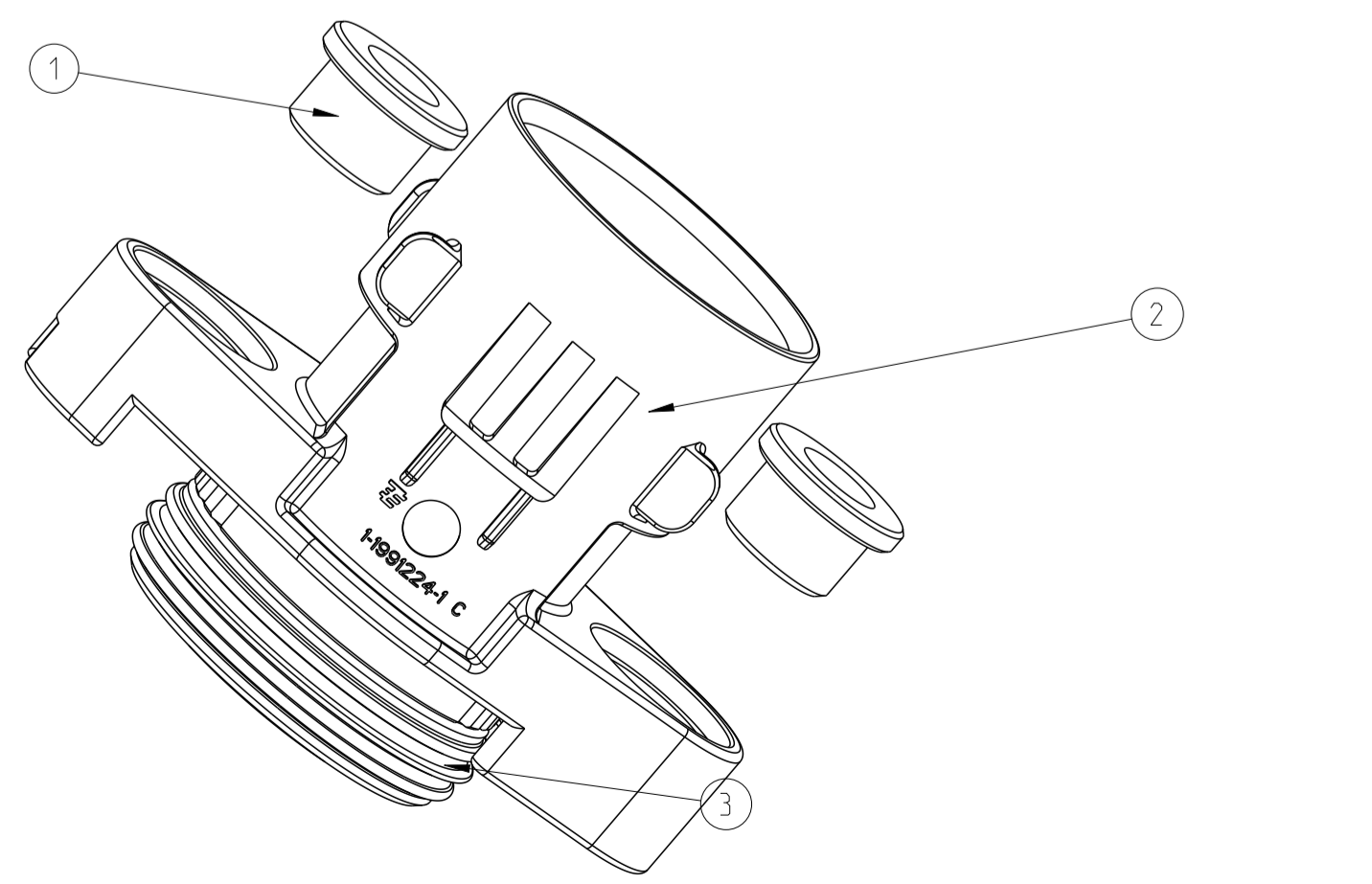
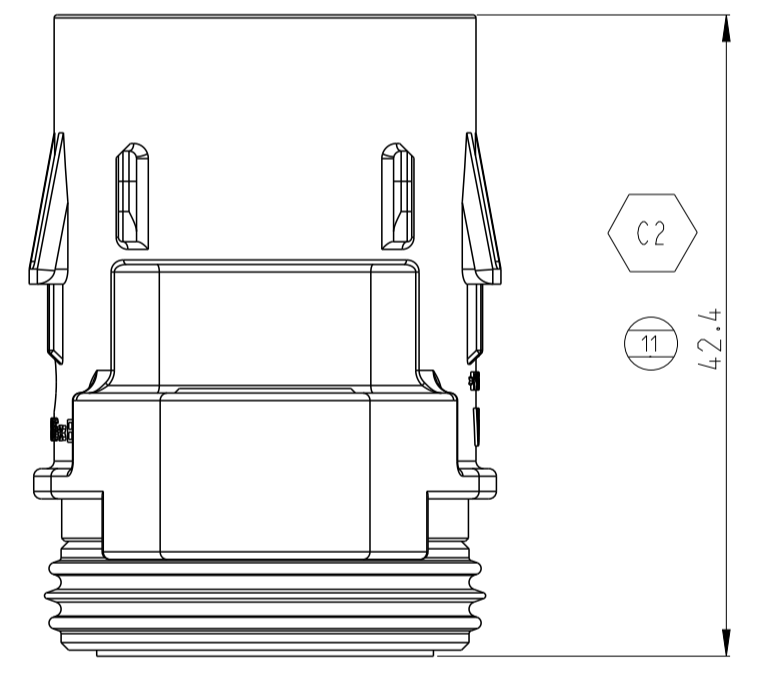
NAME: 1POS. RING TONGUE, HOUSING, ASSY  
 PRODUCT SPEC: Refer to 108-94293  
 APPLICATION SPEC: Refer to 114-94133

SIZE: A1 CAGE CODE: 00779 DRAWING NO: C=2315654  
 WEIGHT: (20g)  
 CUSTOMER DRAWING: RESTRICTED CUSTOMER SCALE: 2:1 SHEET: 1 OF 2 REV: 2

REVISIONS				
P.	LTN	DESCRIPTION	DATE	APVD
		SEE SHEET 1		



0-231564-• AS SHOWN



3-231564-• AS SHOWN

CODE	TE ASSY NO.	SURFACE COLOR	MATERIAL	QTY	DESCRIPTION	ITEM
F	3-2315654-6	NATURAL	MVQ	1	PERIPHERAL SEAL	3
		ORANGE	PA66-GF, HB	1	1 POS RING TONGUE HOUSING IPT HB	2
		Ni PLATING	Cu ALLOY	2	IPT SLEEVE	1
E	3-2315654-5	NATURAL	MVQ	1	PERIPHERAL SEAL	3
		ORANGE	PA66-GF, HB	1	1 POS RING TONGUE HOUSING IPT HB	2
		Ni PLATING	Cu ALLOY	2	IPT SLEEVE	1
D	3-2315654-4	NATURAL	MVQ	1	PERIPHERAL SEAL	3
		ORANGE	PA66-GF, HB	1	1 POS RING TONGUE HOUSING IPT HB	2
		Ni PLATING	Cu ALLOY	2	IPT SLEEVE	1
C	3-2315654-3	NATURAL	MVQ	1	PERIPHERAL SEAL	3
		ORANGE	PA66-GF, HB	1	1 POS RING TONGUE HOUSING IPT HB	2
		Ni PLATING	Cu ALLOY	2	IPT SLEEVE	1
B	3-2315654-2	NATURAL	MVQ	1	PERIPHERAL SEAL	3
		ORANGE	PA66-GF, HB	1	1 POS RING TONGUE HOUSING IPT HB	2
		Ni PLATING	Cu ALLOY	2	IPT SLEEVE	1
A	3-2315654-1	NATURAL	MVQ	1	PERIPHERAL SEAL	3
		ORANGE	PA66-GF, HB	1	1 POS RING TONGUE HOUSING IPT HB	2
		Ni PLATING	Cu ALLOY	2	IPT SLEEVE	1
F	2315654-6	NATURAL	MVQ	1	PERIPHERAL SEAL	3
		ORANGE	PA66-GF, VO	1	1 POS RING TONGUE HOUSING IPT VO	2
		Ni PLATING	Cu ALLOY	2	IPT SLEEVE	1
E	2315654-5	NATURAL	MVQ	1	PERIPHERAL SEAL	3
		ORANGE	PA66-GF, VO	1	1 POS RING TONGUE HOUSING IPT VO	2
		Ni PLATING	Cu ALLOY	2	IPT SLEEVE	1
D	2315654-4	NATURAL	MVQ	1	PERIPHERAL SEAL	3
		ORANGE	PA66-GF, VO	1	1 POS RING TONGUE HOUSING IPT VO	2
		Ni PLATING	Cu ALLOY	2	IPT SLEEVE	1
C	2315654-3	NATURAL	MVQ	1	PERIPHERAL SEAL	3
		ORANGE	PA66-GF, VO	1	1 POS RING TONGUE HOUSING IPT VO	2
		Ni PLATING	Cu ALLOY	2	IPT SLEEVE	1
B	2315654-2	NATURAL	MVQ	1	PERIPHERAL SEAL	3
		ORANGE	PA66-GF, VO	1	1 POS RING TONGUE HOUSING IPT VO	2
		Ni PLATING	Cu ALLOY	2	IPT SLEEVE	1
A	2315654-1	NATURAL	MVQ	1	PERIPHERAL SEAL	3
		ORANGE	PA66-GF, VO	1	1 POS RING TONGUE HOUSING IPT VO	2
		Ni PLATING	Cu ALLOY	2	IPT SLEEVE	1

THIS DRAWING IS A CONTROLLED DOCUMENT. DWG: J.LI 03DEC2021  
 CHK: E.JIANG 28AUG2017  
 APVD: LYJIN 18SEP2017

**TE** TE Connectivity

NAME: 1POS. RING TONGUE, HOUSING, ASSY

PRODUCT SPEC: Refer to 108-94293  
 APPLICATION SPEC: Refer to 114-94133

SIZE: A1 CAGE CODE: 00779 DRAWING NO: 2315654  
 WEIGHT: (20g)  
 MATERIAL: TBU FINISH

CUSTOMER DRAWING: RESTRICTED CUSTOMER SCALE: 2:1 SHEET: 2 OF 2 REV: C2