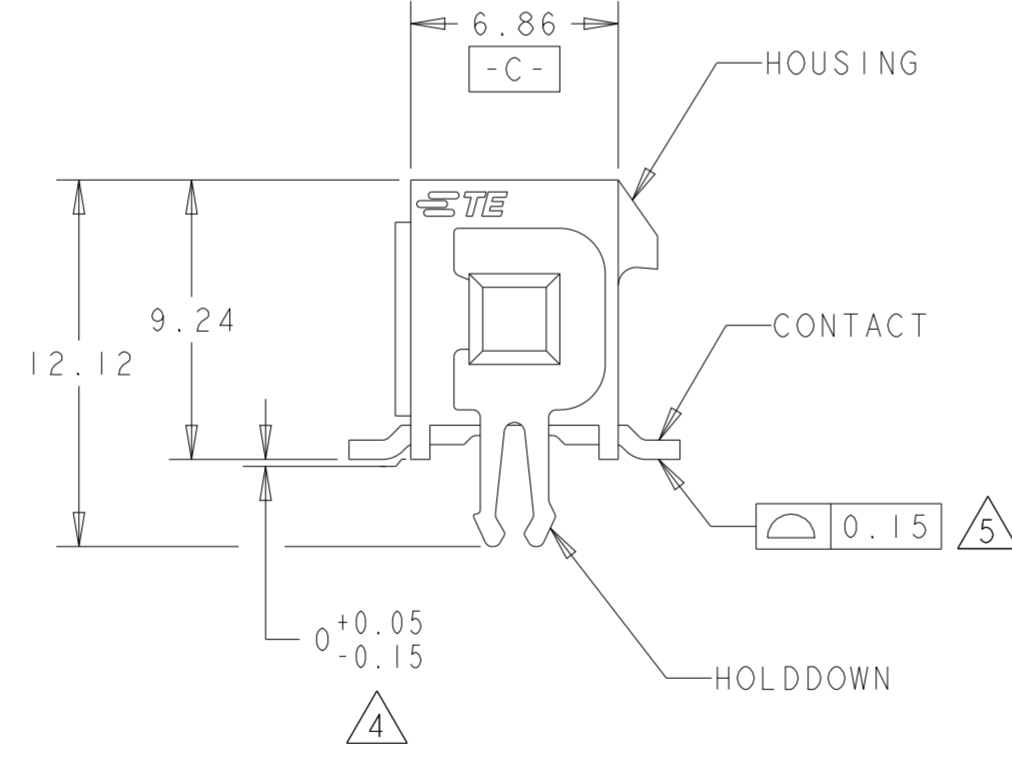
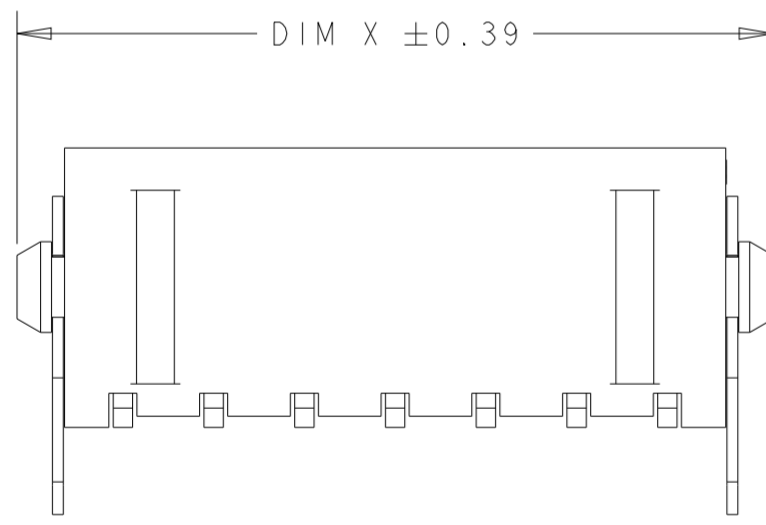
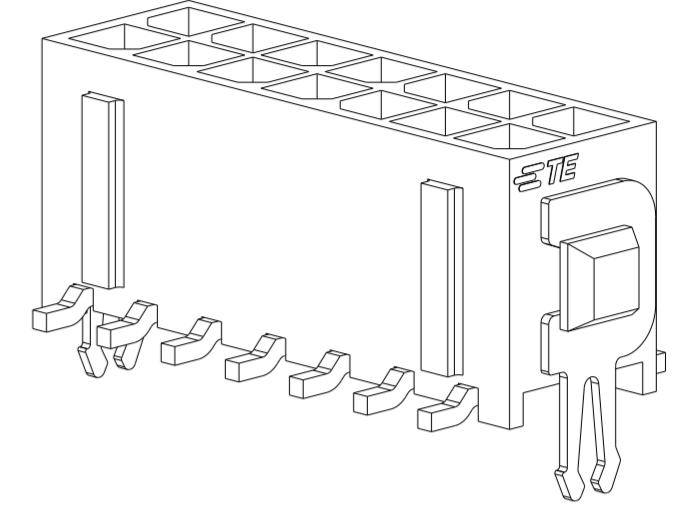
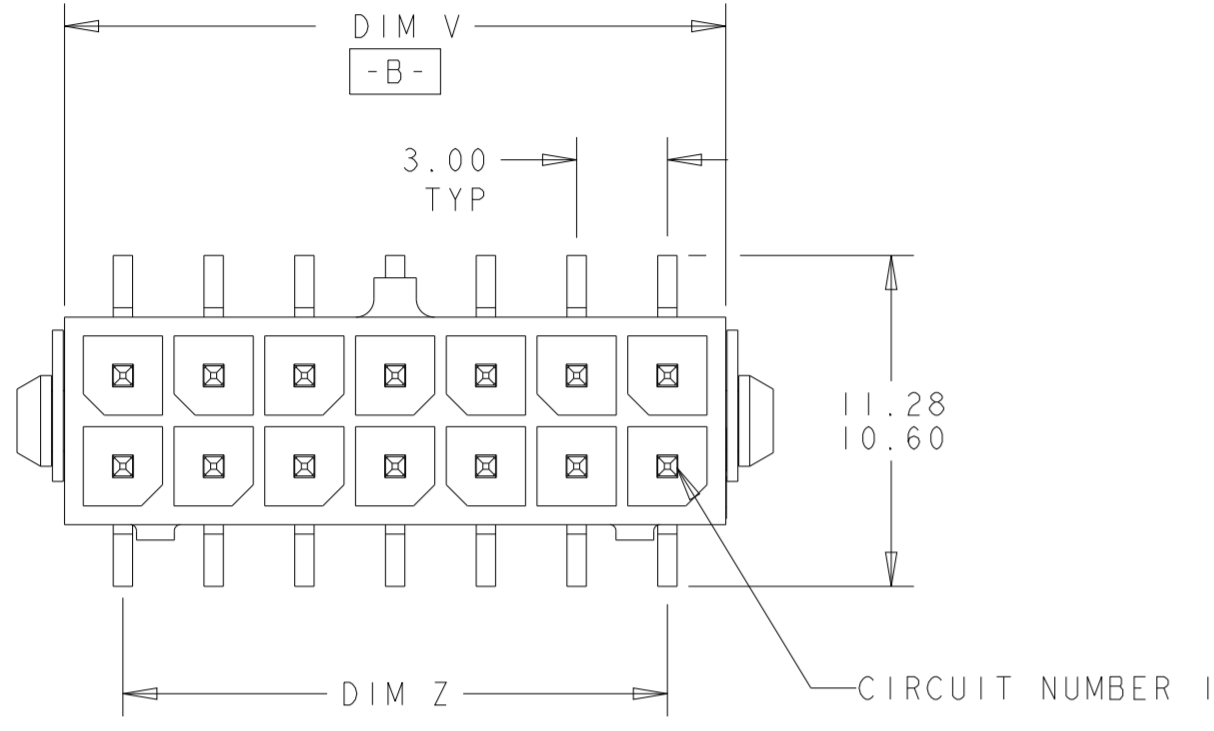


THIS DRAWING IS UNPUBLISHED. RELEASED FOR PUBLICATION 20  
 © COPYRIGHT 20 ALL RIGHTS RESERVED.

LOC		DIST		REVISIONS			
P	LTR	DESCRIPTION		DATE	DWN	APVD	
	A	FIRST RELEASE		4FEB2017	CD	DZ	
	A1	ECO-19-006934		10MAY2019	AP	WS	
	A2	REVISED PER ECN-22-179646		04NOV2022	WLS	VS	



- 1 MATERIAL:  
HOUSING - UL 94V-0 RATED HIGH TEMP NYLON, COLOR BLACK,  
CONTACTS - BRASS,  
HOLDDOWNS - PHOSPHOR BRONZE.
- 2 FINISH:  
CONTACTS - 2.54µm MINIMUM MATTE TIN OVER 1.27µm MINIMUM NICKEL,  
HOLDDOWNS - 2.54µm MINIMUM MATTE TIN OVER 1.27µm MINIMUM NICKEL.
- 3 RECOMMENDED PC BOARD THICKNESS OF 1.57.
- 4 DIMENSION APPLIES TO SOLDER TAIL SURFACES AND STANDOFF SURFACES.
- 5 ALL SOLDER TAILS.
- 6 COUNTERPART RECOMMENDED IS PN 794617 (DASH ACC. TO NUMBER OF POSITION).
- 7 FOR REELING DIRECTION AND PACKAGING TYPE, SEE SPECIFICATION 114-13000.

18.86	19.28	15.00	22.00	12	4-2315124-2
15.86	16.28	12.00	19.00	10	4-2315124-0
DIM V	DIM Y	DIM Z	DIM X	NO. OF POSN.	PART NUMBER

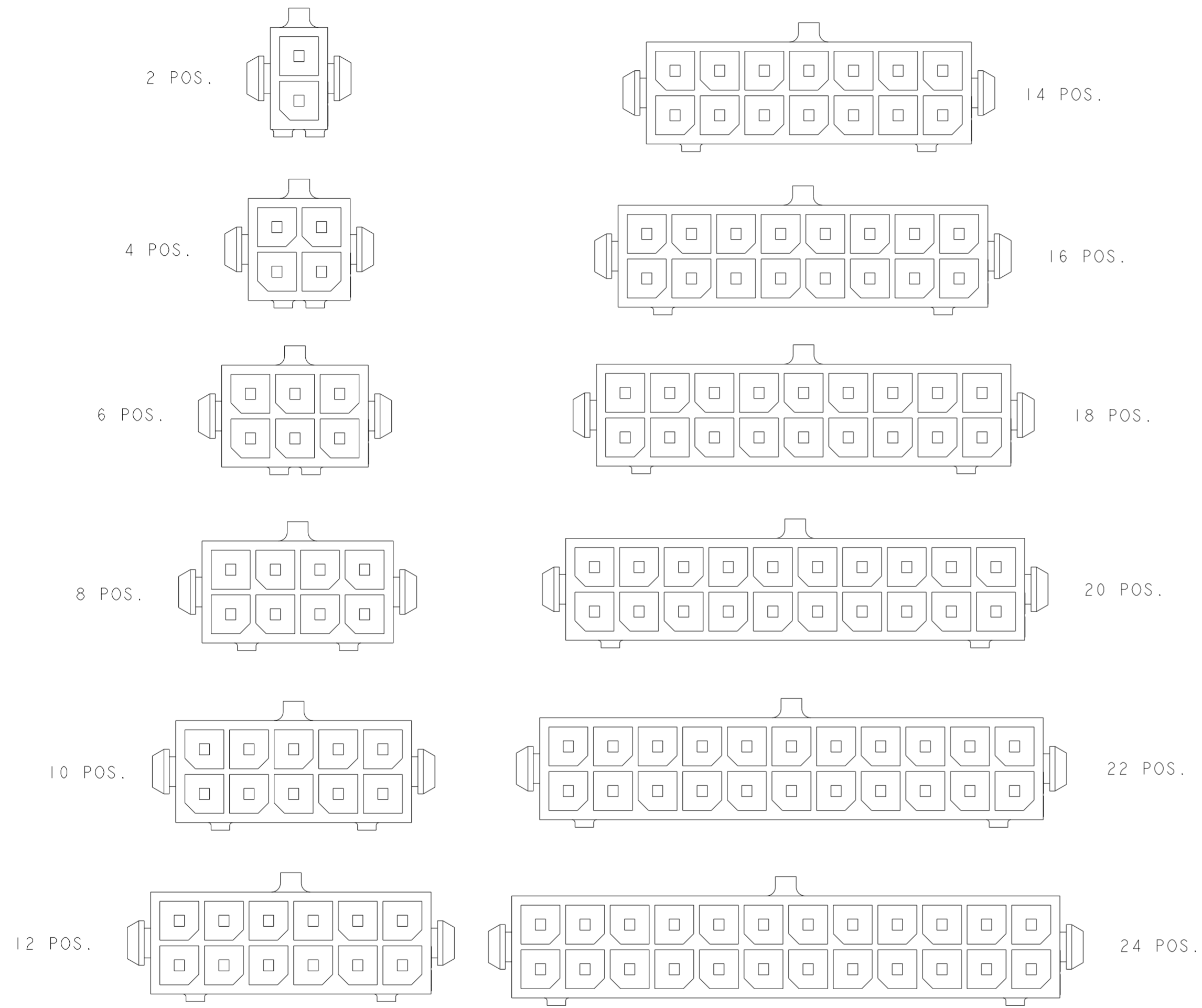
THIS DRAWING IS A CONTROLLED DOCUMENT.

DWN CANDY XU 4FEB2017	TE Connectivity
CHK OTIO CHEN 6FEB2017	
APVD DANIEL ZHANG 6FEB2017	
NAME SURFACE MOUNT, VERTICAL, MECHANICAL HOLD DOWN, ASSEMBLY, TIN HEADER, DUAL ROW, MICRO MATE-N-LOK (TM)	
DIMENSIONS: mm	TOLERANCES UNLESS OTHERWISE SPECIFIED:
0 PLC ±	1 PLC ±
2 PLC ±0.20	3 PLC ±
4 PLC ±	ANGLES ±°
FINISH	
MATERIAL	

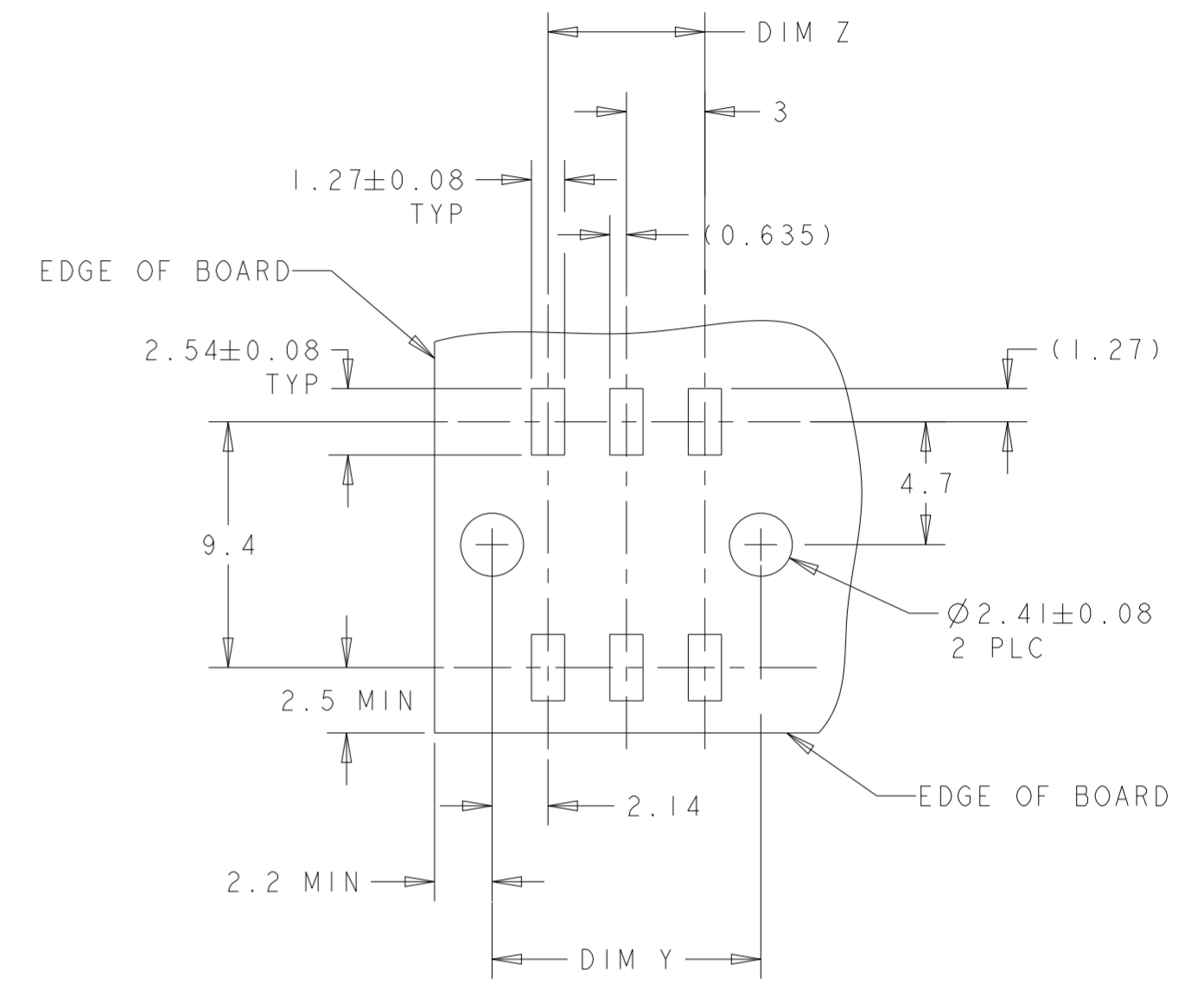
PRODUCT SPEC 108-1836	SIZE 114-13000	CAGE CODE A20779	DRAWING NO. C-2315124	RESTRICTED TO -
APPLICATION SPEC 114-13000	WEIGHT -	SCALE 4:1	SHEET 1 OF 2	REV A2
CUSTOMER DRAWING				

THIS DRAWING IS UNPUBLISHED. RELEASED FOR PUBLICATION 20  
 © COPYRIGHT 20 ALL RIGHTS RESERVED.

LOC	DIST	REVISIONS					
CM	00	P	LTR	DESCRIPTION	DATE	DWN	APVD
		-		SEE SHEET 1	-	-	-



KEYING BY POSITION SIZE



RECOMMENDED PCB LAYOUT (COMPONENT SIDE)

THIS DRAWING IS A CONTROLLED DOCUMENT.		DWN CANDY XU 4FEB2017	<b>STE</b> TE Connectivity		
DIMENSIONS: mm		CHK OTIO CHEN 6FEB2017			
TOLERANCES UNLESS OTHERWISE SPECIFIED:		APVD DANIEL ZHANG 6FEB2017	NAME SURFACE MOUNT, VERTICAL, MECHANICAL HOLD DOWN, ASSEMBLY, TIN HEADER, DUAL ROW, MICRO MATE-N-LOK (TM)		
0 PLC ± 1 PLC ± 2 PLC ±0.20 3 PLC ± 4 PLC ±		PRODUCT SPEC 108-1836	SIZE A2	CAGE CODE 0779	DRAWING NO C-2315124
MATERIAL -		FINISH -	WEIGHT -	RESTRICTED TO -	SCALE 4:1
CUSTOMER DRAWING			SHEET 2	OF 2	REV A2