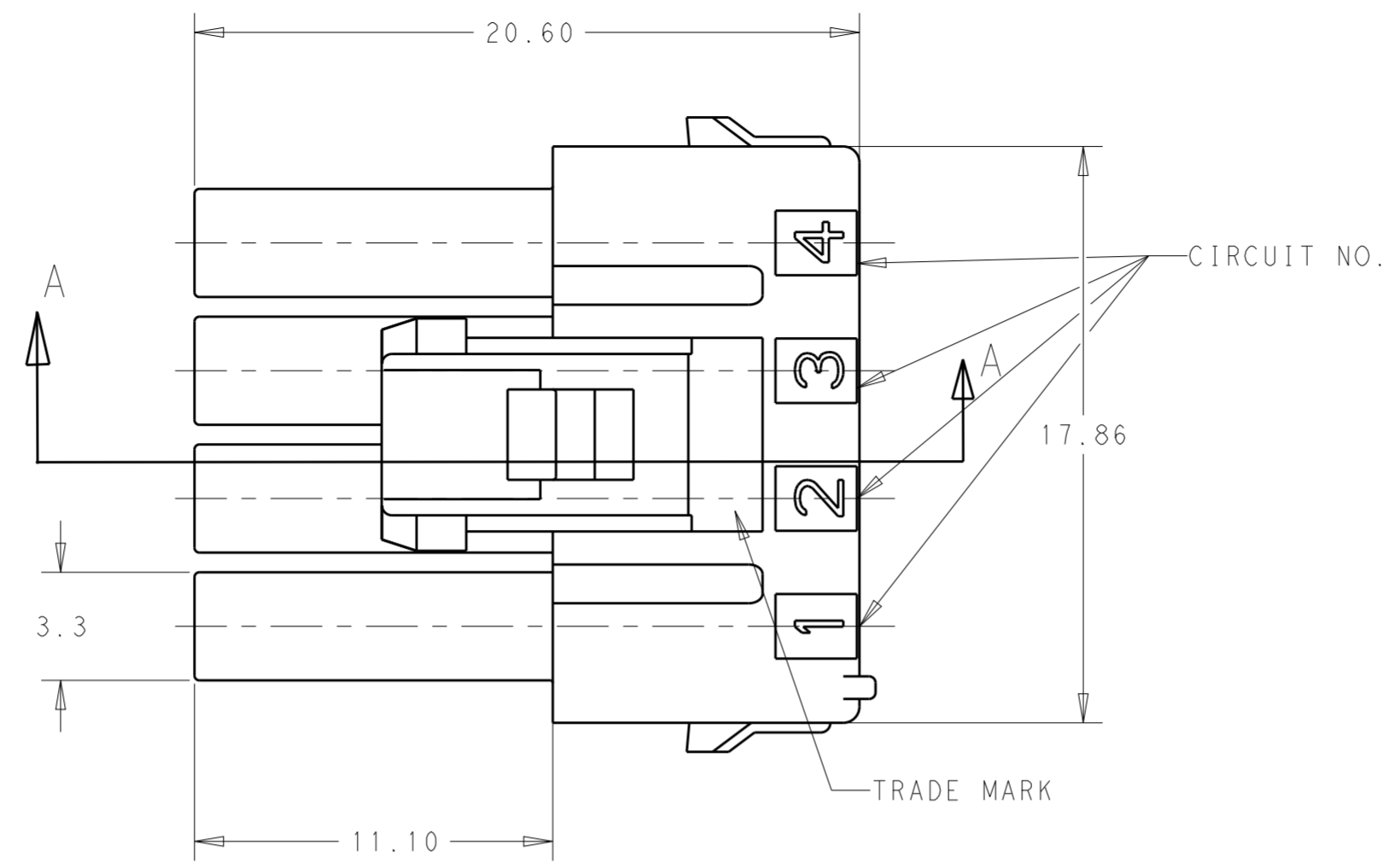
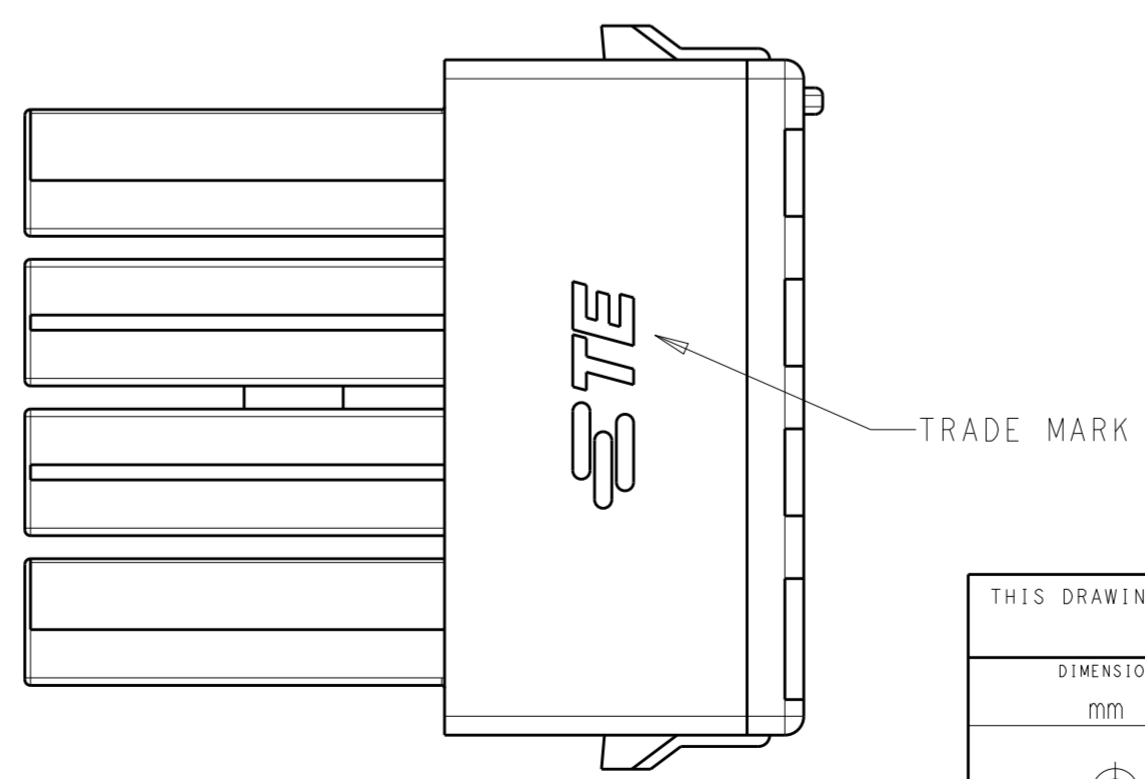
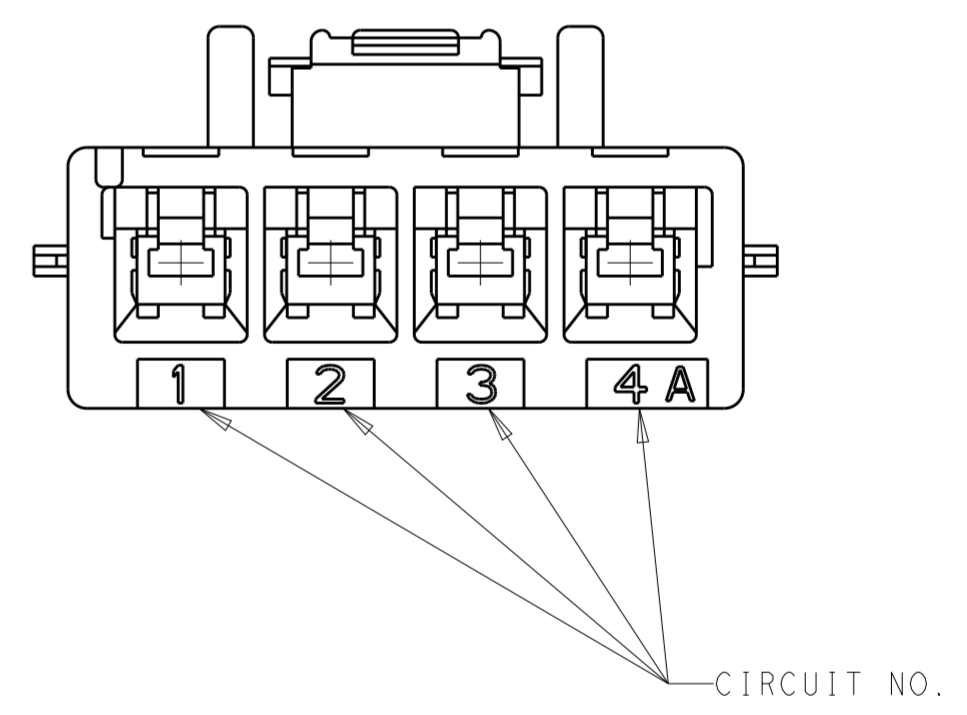
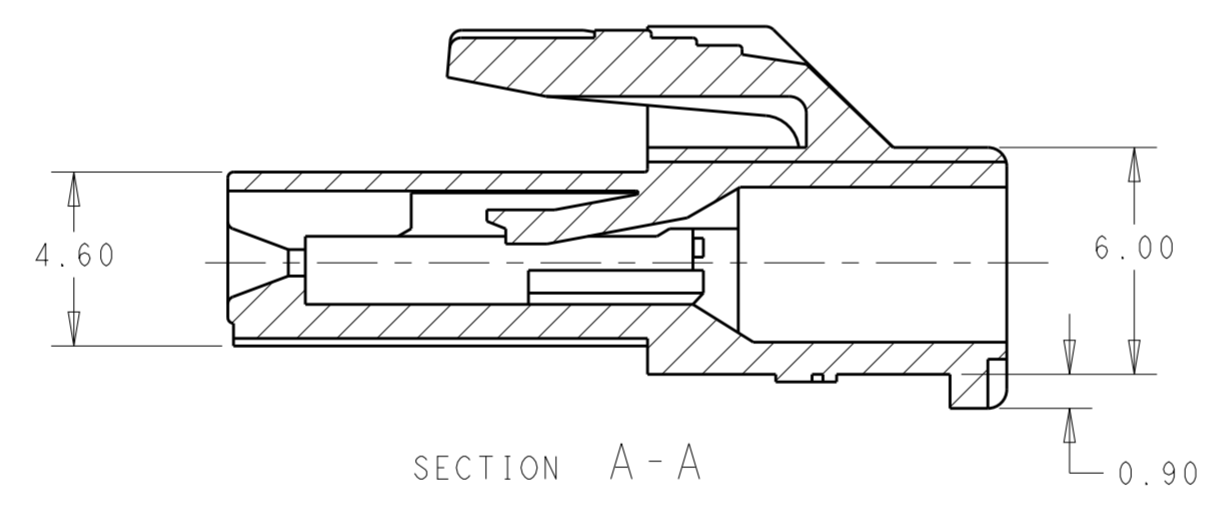
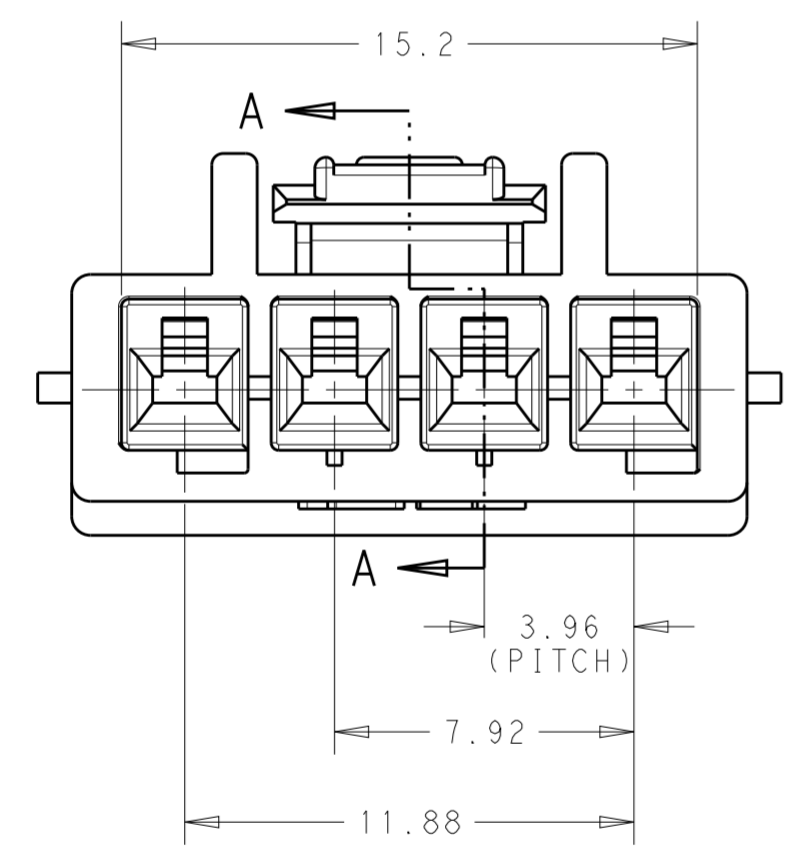


THIS DRAWING IS UNPUBLISHED. RELEASED FOR PUBLICATION 20
 © COPYRIGHT 20 BY - ALL RIGHTS RESERVED.

REVISIONS					
P	LTR	DESCRIPTION	DATE	DWN	APVD
	A	FIRST RELEASE	6SEP2017	N.L	D.Z



- 1 APPLICABLE CONTACT P/N
 REC CONTACT: 177915-□ (*20-*16AWG)
 : 2232901-1 (*20-*16AWG)
 : 177914-□ (*26-*22AWG)
 : 2232902-1 (*26-*22AWG)
- 2 MATING CONN, P/N
 CAP HSG: 316502-□ (PANEL MOUNT)
 TAB CONTACT: 177917-□ (*20-*16AWG)
 : 177914-□ (*26-*22AWG)
- 3 APPLICABLE PLATE P/N: 177920-□
- 4 INSTRUCTION SHEET: 411-5638
- 5 ALL PARTS MEET RTI ELECTRICAL RATING OF 105C ACCORDING TO UL 1977.



NATURAL	4	2314618-1
COLOR	POS.	PART NO.

THIS DRAWING IS A CONTROLLED DOCUMENT.		DWN	03JAN2017	TE Connectivity	NAME AMP POWER DBL LOCK CONN 3.96mm PITCH 4 POS PLUG HOUSING (SGL ROW)
DIMENSIONS:		CHK	03JAN2017		
mm		APVD	03JAN2017		
TOLERANCES UNLESS OTHERWISE SPECIFIED:		PRODUCT SPEC	108-5410		
0 PLC ±		APPLICATION SPEC	114-5175	SIZE	A2
1 PLC ±0.5		WEIGHT	-	CAGE CODE	-
2 PLC ±0.25		CUSTOMER DRAWING		DRAWING NO	2314618
3 PLC ±		SCALE	N/A	SHEET	1 OF 1
4 PLC ±		RESTRICTED TO		REV	A
ANGLES ±3°					
FINISH					
MATERIAL					
PA66					
UL94V-0					