

4

3

2

1

THIS DRAWING IS UNPUBLISHED.

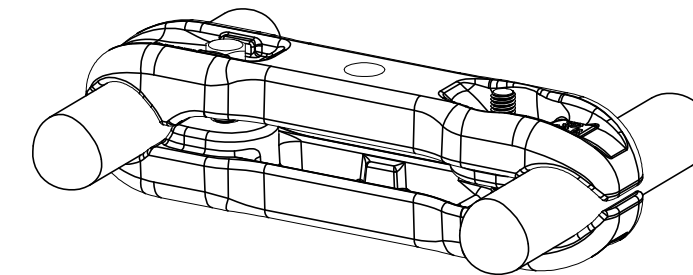
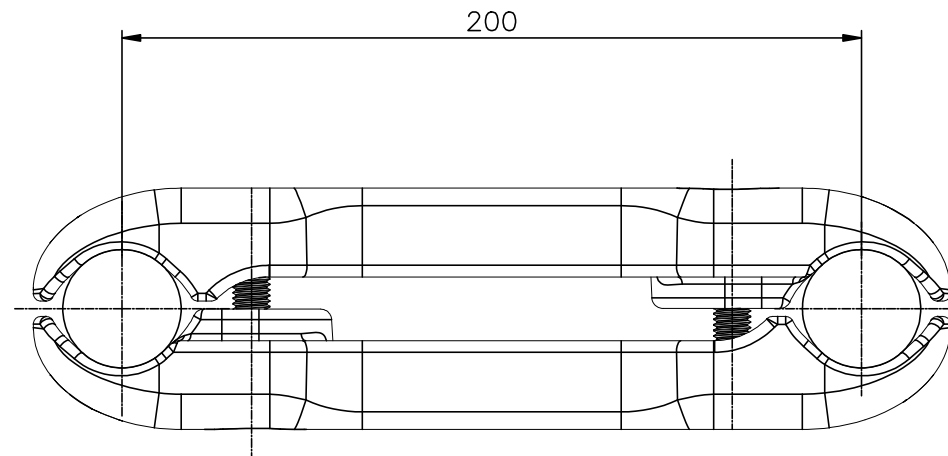
RELEASED FOR PUBLICATION

ALL RIGHTS RESERVED.

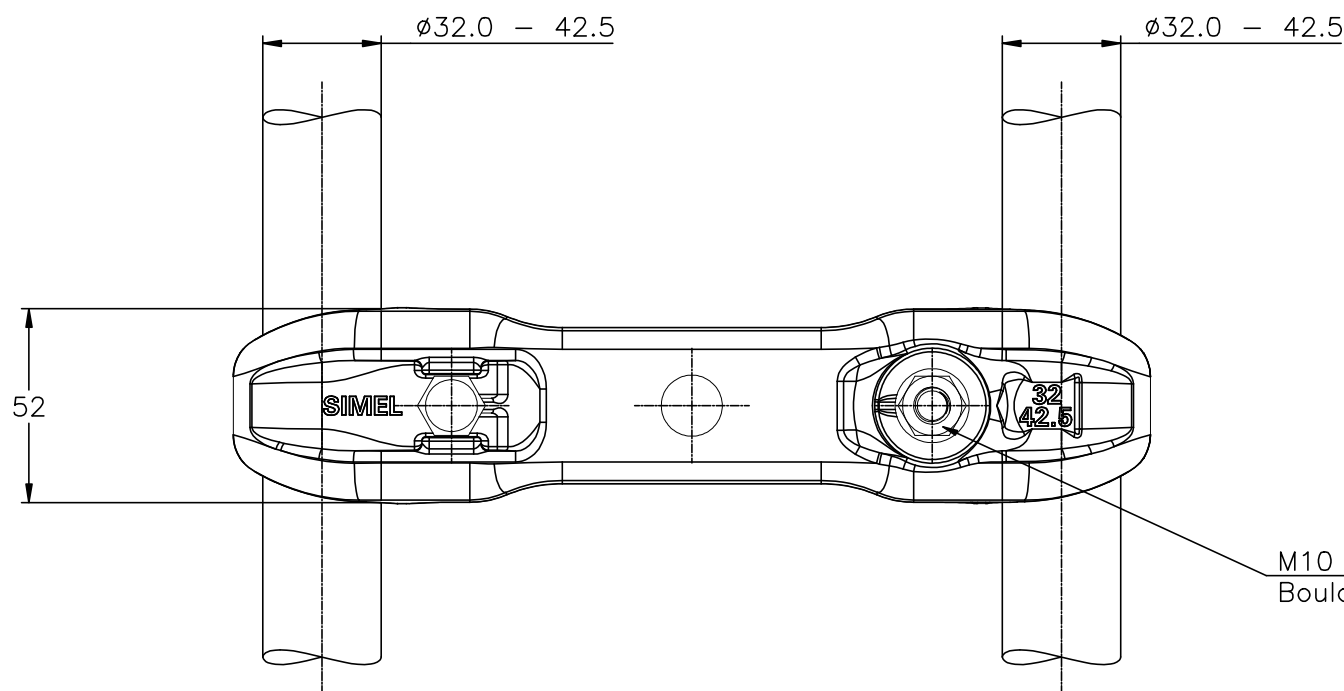
© COPYRIGHT - By -

REVISIONS

P	LTR	DESCRIPTION	DATE	DWN	APVD
D		CABLE DIA ADDED	17APR2023	SR	CG



No scale
Sans échelle



M10 Stainless steel bolts A2: 37 Nm
Boulons M10 acier inoxydable A2: 37 Nm

THIS DRAWING IS A CONTROLLED DOCUMENT.

DWN GODARD 22-Feb-17

CHK -

APVD -

PRODUCT SPEC

108-69096-001

APPLICATION SPEC

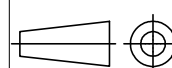
-

APPROX.WEIGHT 1.16 kg

CUSTOMER DRAWING

DIMENSIONS:
mm

TOLERANCES UNLESS
OTHERWISE SPECIFIED:



- 0 PLC ± -
- 1 PLC ± -
- 2 PLC ± -
- 3 PLC ± -
- 4 PLC ± -
- ANGLES ± -
- FINISH -

MATERIAL -



NAME
TWIN BUNDLE SPACER
ENTRETOISE POUR FAISCEAU DOUBLE
5 CAE 82 M320/M425 E200

SIZE	CAGE CODE	DRAWING NO	RESTRICTED TO
A3	00779	©=2314535	-

SCALE	SHEET	REV
1:2	1 OF 1	D

ITEM:.....