

THIS DRAWING IS UNPUBLISHED.

RELEASED FOR PUBLICATION

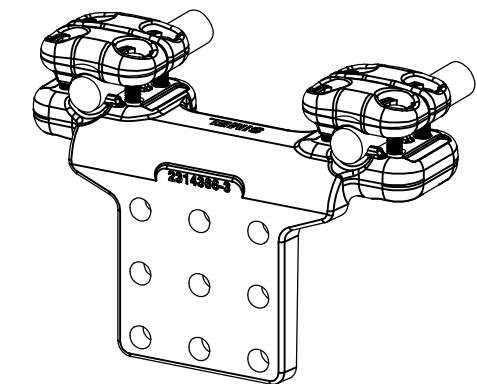
-. - .

REVISIONS

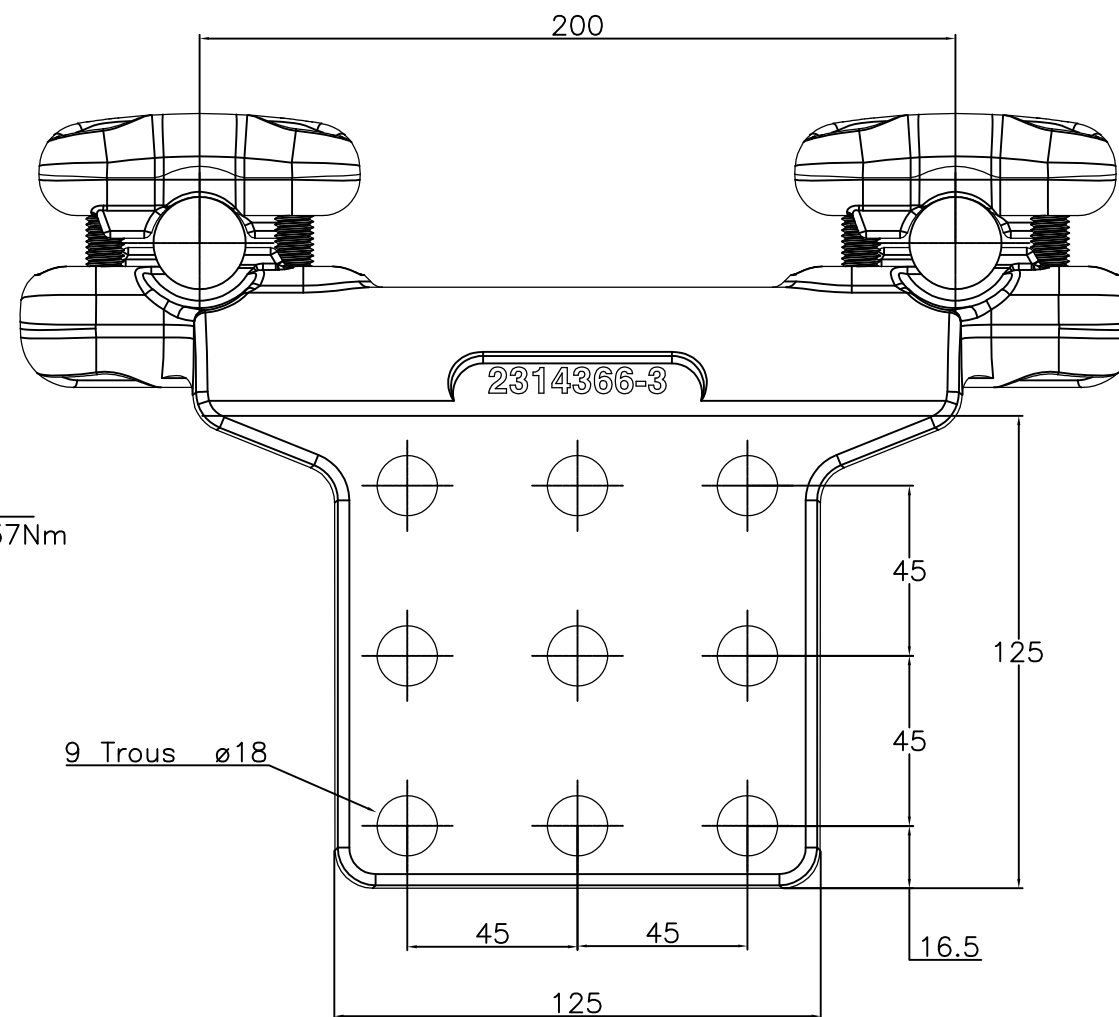
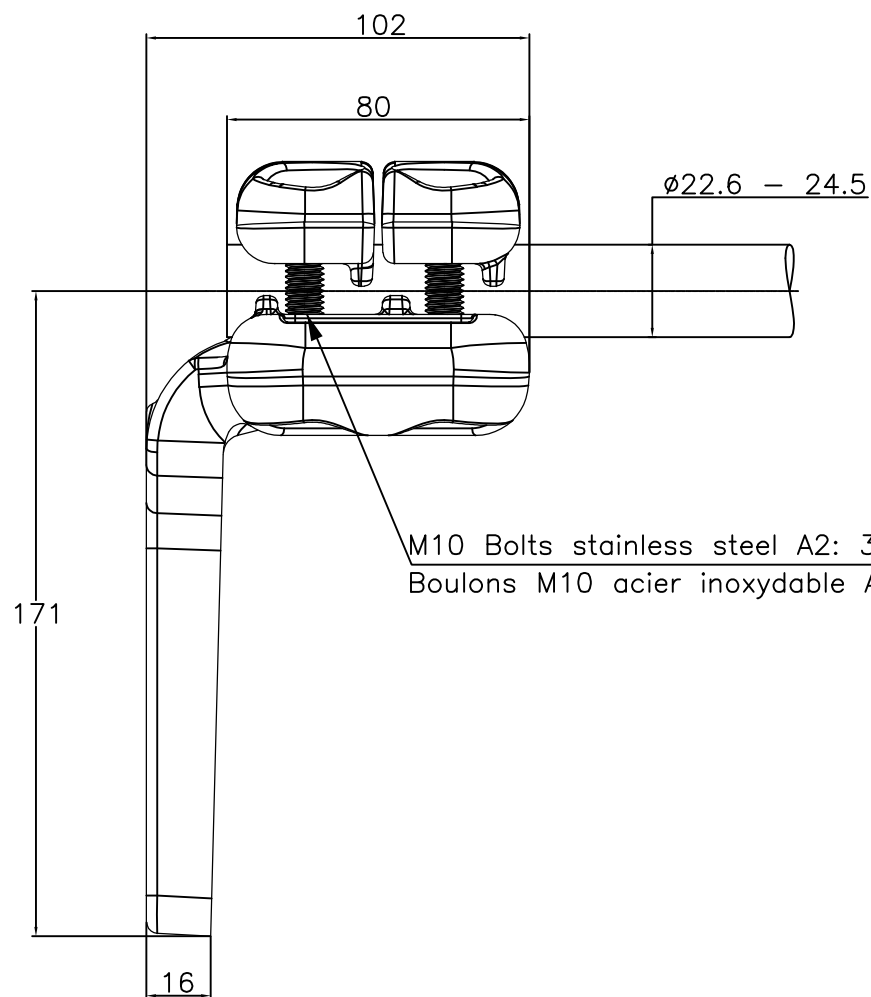
© COPYRIGHT - By -

ALL RIGHTS RESERVED.


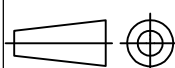
P	LTR	DESCRIPTION	DATE	DWN	APVD
	A	CREATION	20-Fev-17	TC	-



No scale - sans echelle



ITEM:.....

THIS DRAWING IS A CONTROLLED DOCUMENT.		DWN CHARTON	20-Fev-17	 <b>TE Connectivity</b>	
DIMENSIONS: mm		CHK	-		
TOLERANCES UNLESS OTHERWISE SPECIFIED:		APVD	-	NAME Pad connector for twin conductors Connecteur à plaque pour faisceau double	
		PRODUCT SPEC	108-69096-001	5 PE 82 F S245 E200 125 C175	
MATERIAL		APPLICATION SPEC	-	SIZE	A3
FINISH		APPROX.WEIGHT	3.2 kg	CAGE CODE	-
		CUSTOMER DRAWING		DRAWING NO	©=2314470
		SCALE	1/2	SHEET	1 OF 1
		RESTRICTED TO	-	REV	A