

THIS DRAWING IS UNPUBLISHED.

RELEASED FOR PUBLICATION

-. - .

REVISIONS

ALL RIGHTS RESERVED.

© COPYRIGHT - By -

P	LTR	DESCRIPTION	DATE	DWN	APVD
	A	CREATION	10-Fev-17	PG	-

∅44.6 - 46.5

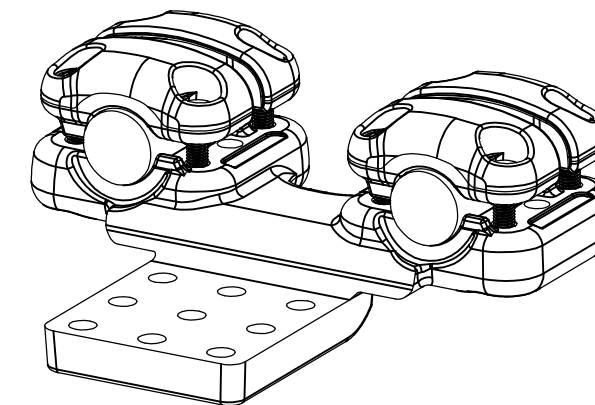
273

125

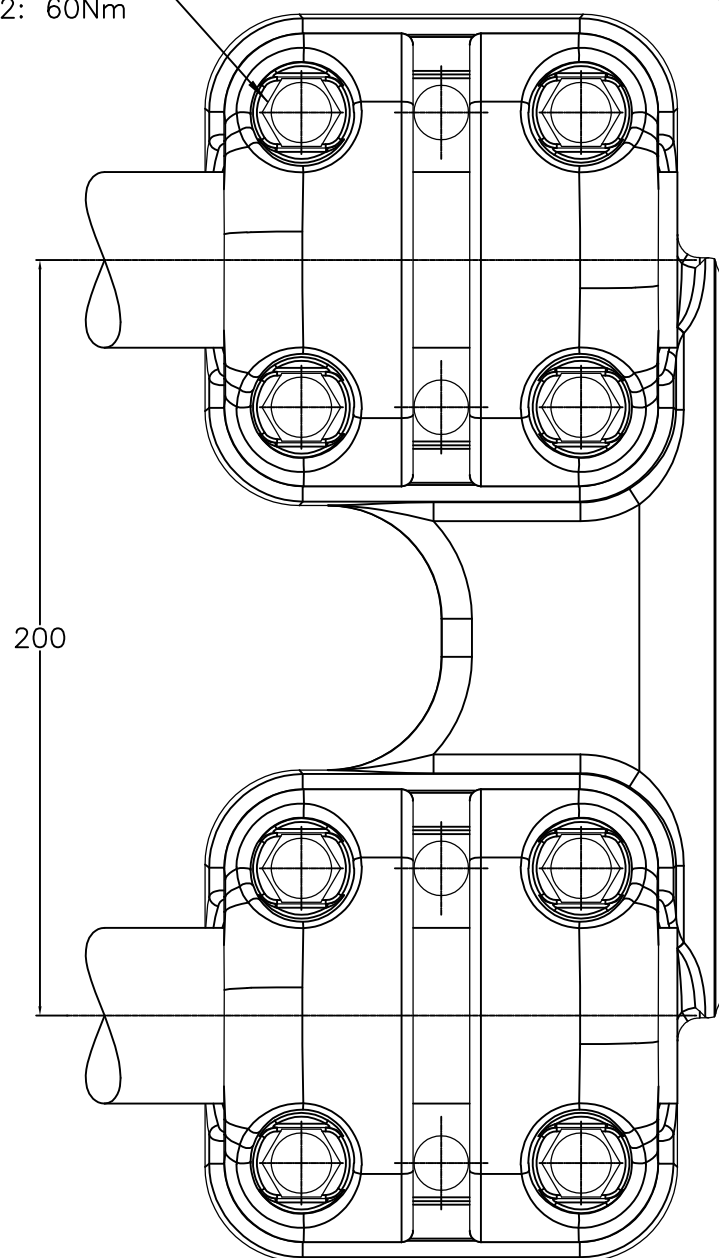
80

25

M12 Bolts stainless steel A2: 60Nm
Boulons M12 acier inoxydable A2: 60Nm



No scale - sans echelle



200

125

45

45

16.5

45

125

45

9 Trous ∅18

THIS DRAWING IS A CONTROLLED DOCUMENT.		DWN	10-Fev-17	
		CHK	-	
		APVD	-	
		PRODUCT SPEC	-	
		APPLICATION SPEC	-	
		APPROX.WEIGHT	5 kg	A3
		CUSTOMER DRAWING	SCALE	1/2
			SHEET	1 OF 1
			REV	A

TE Connectivity		NAME	
Pad connector for twin cables		-	
Raccord a plage pour 2 cables		-	
5 PD 82 F L465 E200 125 C175		-	
SIZE	CAGE CODE	DRAWING NO	RESTRICTED TO
A3		C=2314422	-

DIMENSIONS:		TOLERANCES UNLESS OTHERWISE SPECIFIED:	
mm			
	0 PLC	±	-
	1 PLC	±	-
	2 PLC	±	-
	3 PLC	±	-
	4 PLC	±	-
	ANGLES	±	-
MATERIAL	FINISH		
-	-		

ITEM:.....