

THIS DRAWING IS UNPUBLISHED.

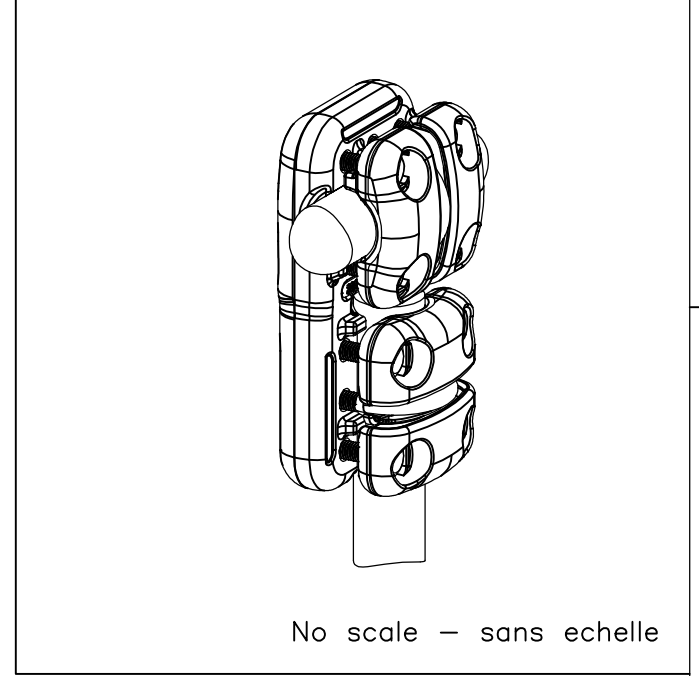
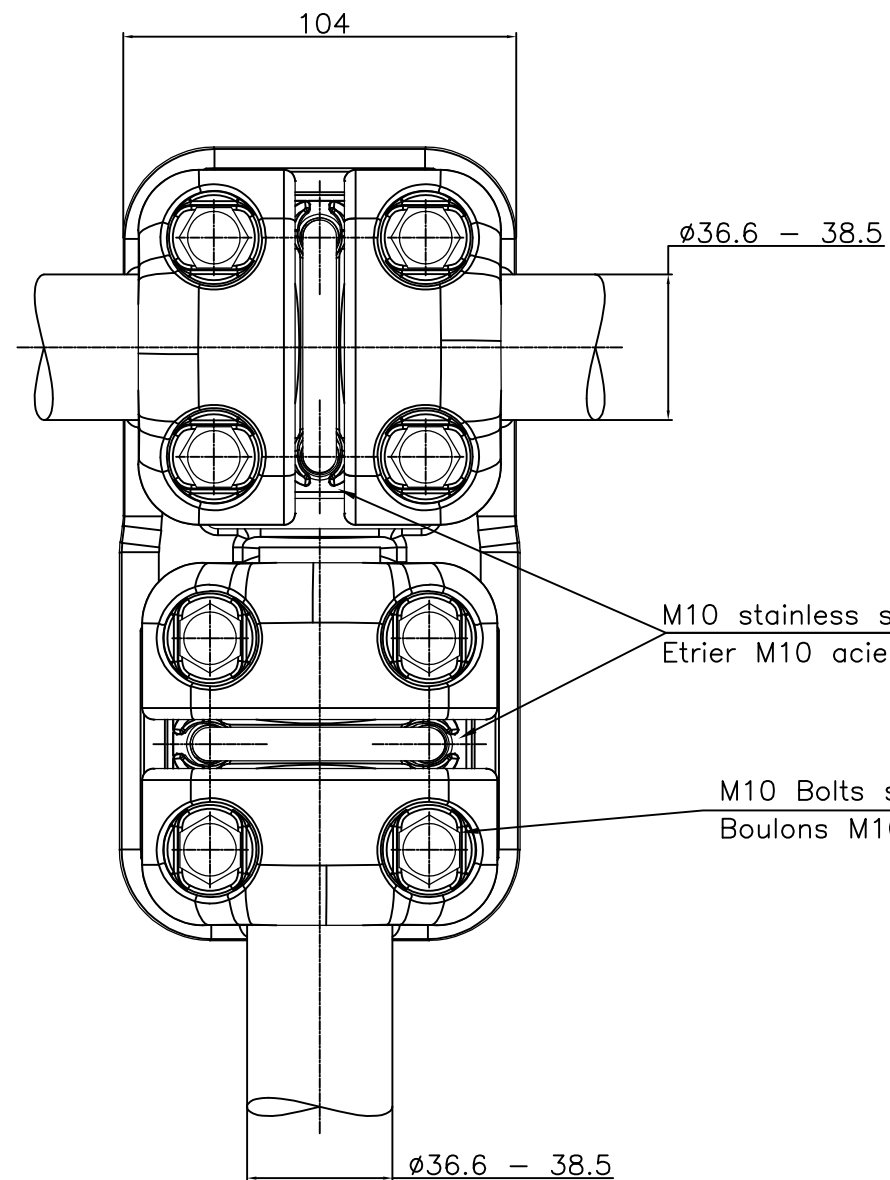
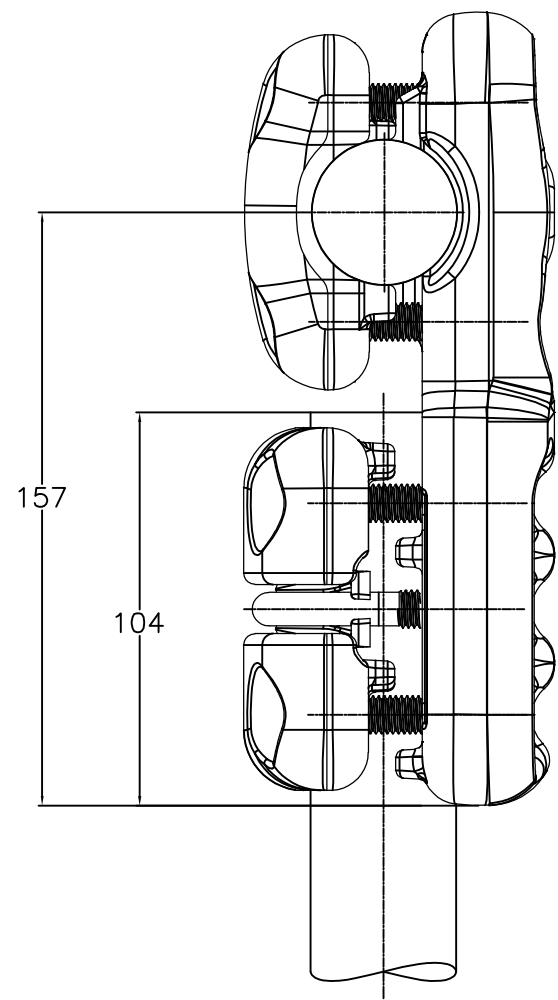
RELEASED FOR PUBLICATION

ALL RIGHTS RESERVED.

© COPYRIGHT - By -

REVISIONS

P	LTR	DESCRIPTION	DATE	DWN	APVD
	A	CREATION	10-Feb-17	PG	-



No scale - sans echelle

M10 stainless steel U-Bolt A4: 37Nm
Etrier M10 acier inoxydable A4: 37Nm

M10 Bolts stainless steel A2: 37Nm
Boulons M10 acier inoxydable A2: 37Nm

ITEM:.....

THIS DRAWING IS A CONTROLLED DOCUMENT.		DWN GARNIER P.	10-Feb-17	STE TE Connectivity	
DIMENSIONS: mm		CHK	-		
TOLERANCES UNLESS OTHERWISE SPECIFIED:		APVD	-	NAME Tee connector Connecteur en T	
0 PLC ± -		PRODUCT SPEC	-	5 CT 82 MR385	
1 PLC ± -		APPLICATION SPEC	108-69096-001	SIZE	A3
2 PLC ± -				CAGE CODE	00779
3 PLC ± -				DRAWING NO	C=2314416
4 PLC ± -				RESTRICTED TO	-
ANGLES ± -				APPROX.WEIGHT	2.2 kg
FINISH				CUSTOMER DRAWING	SCALE 1/2
MATERIAL				SHEET	1 OF 1
				REV	A