

THIS DRAWING IS UNPUBLISHED.

RELEASED FOR PUBLICATION

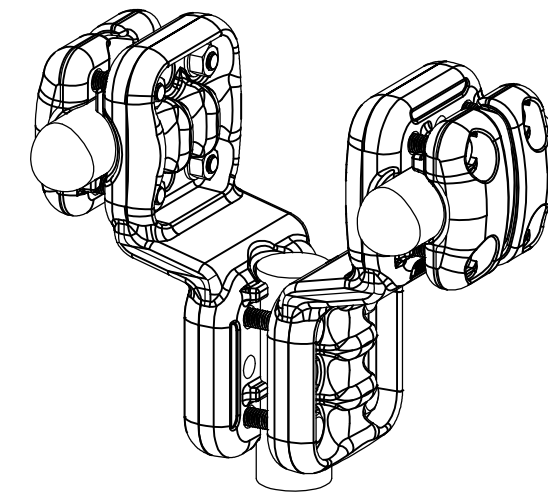
-. - .

REVISIONS

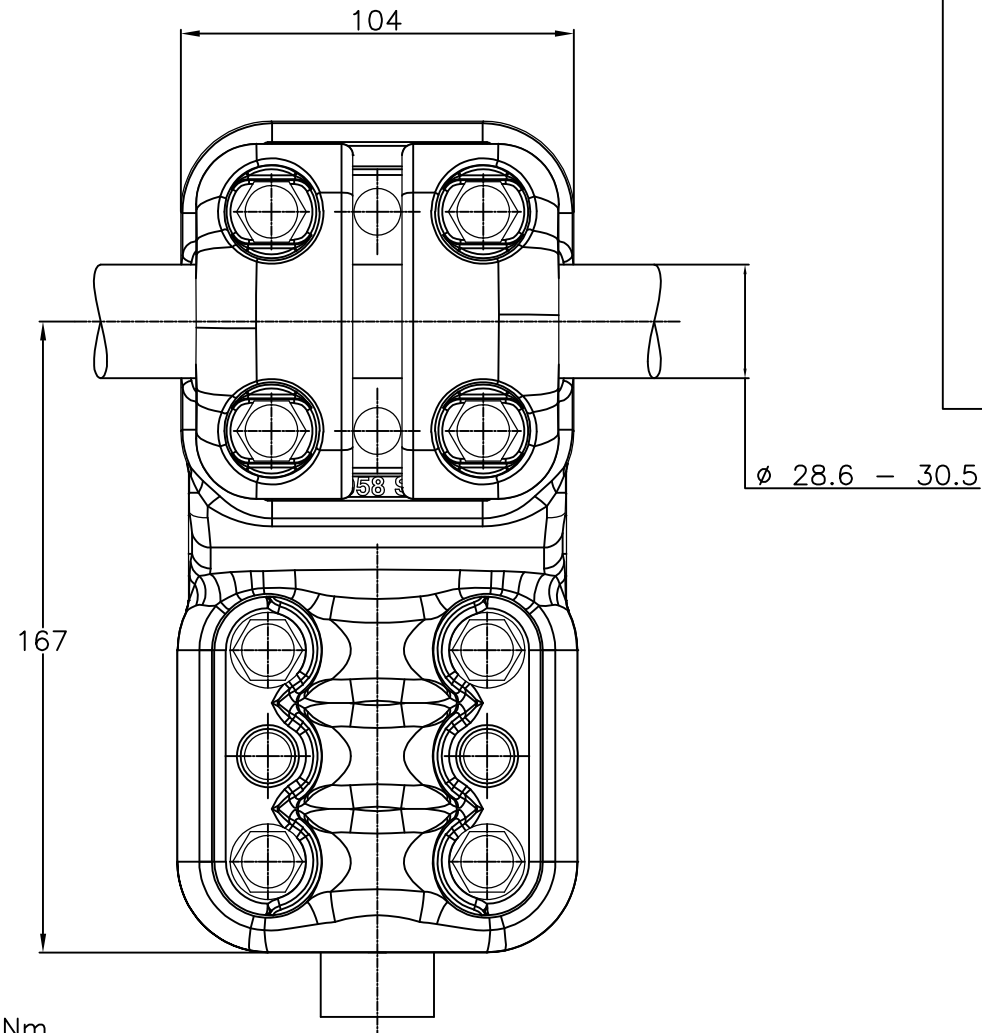
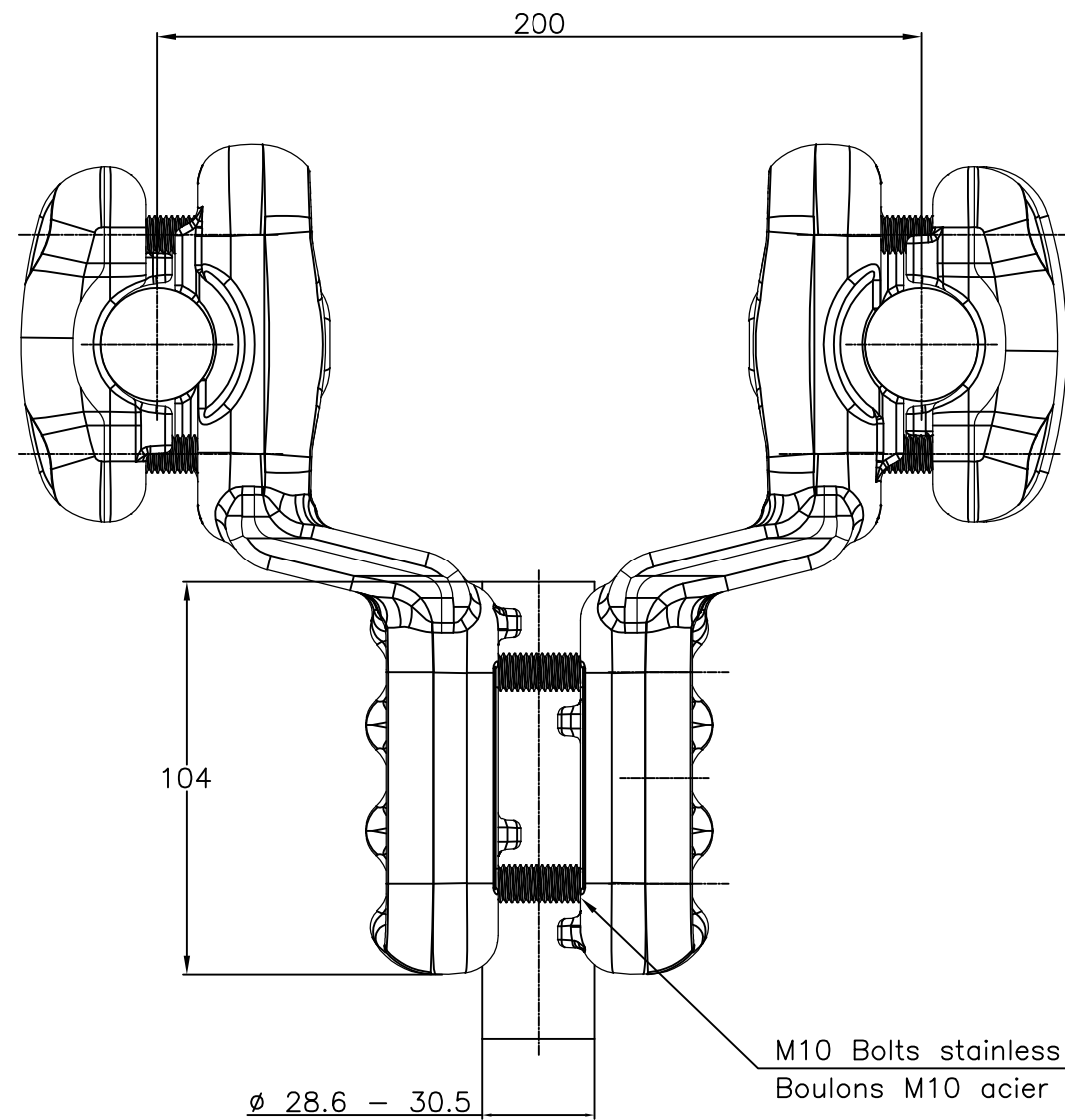
© COPYRIGHT - By -

ALL RIGHTS RESERVED.

P	LTR	DESCRIPTION	DATE	DWN	APVD
	A	CREATION	09-Jan-17	PG	-




No scale - sans echelle



M10 Bolts stainless steel A2: 37Nm  
 Boulons M10 acier inoxydable A2: 37Nm

$\phi 28.6 - 30.5$

THIS DRAWING IS A CONTROLLED DOCUMENT.		DWN GARNIER P.	09-Jan-17	 <b>TE Connectivity</b>													
DIMENSIONS: mm		CHK -	APVD -														
TOLERANCES UNLESS OTHERWISE SPECIFIED:		PRODUCT SPEC		NAME													
<table border="0"> <tr><td>0 PLC</td><td>± -</td></tr> <tr><td>1 PLC</td><td>± -</td></tr> <tr><td>2 PLC</td><td>± -</td></tr> <tr><td>3 PLC</td><td>± -</td></tr> <tr><td>4 PLC</td><td>± -</td></tr> <tr><td>ANGLES</td><td>± -</td></tr> </table>		0 PLC	± -	1 PLC	± -	2 PLC	± -	3 PLC	± -	4 PLC	± -	ANGLES	± -	108-69096-001		Tee connector twin to single	
0 PLC	± -																
1 PLC	± -																
2 PLC	± -																
3 PLC	± -																
4 PLC	± -																
ANGLES	± -																
MATERIAL		APPLICATION SPEC		Connecteur en T faisceau double / simple													
-		-		5 CT 82 F M305 E200 M305													
FINISH		APPROX.WEIGHT		SIZE	RESTRICTED TO												
-		3.7 kg		A3	-												
		CUSTOMER DRAWING		CAGE CODE	DRAWING NO												
				00779	©=2314364												
				SCALE	SHEET												
				1/2	1 OF 1												
				REV	A												

ITEM:.....