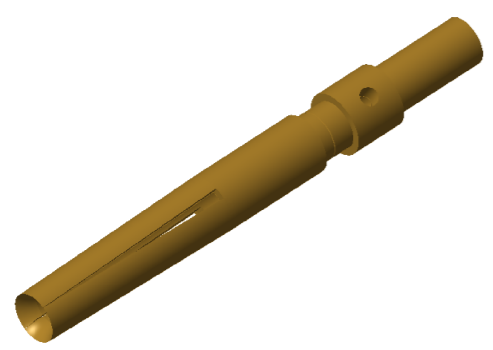
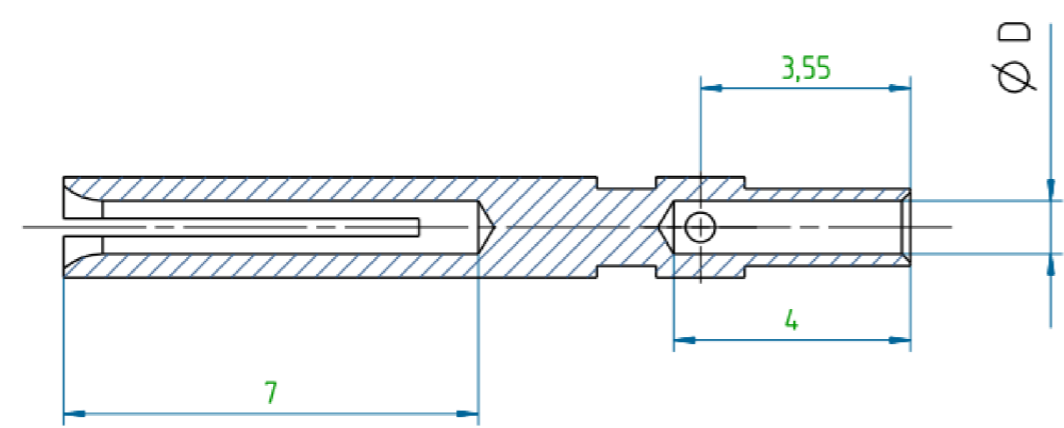
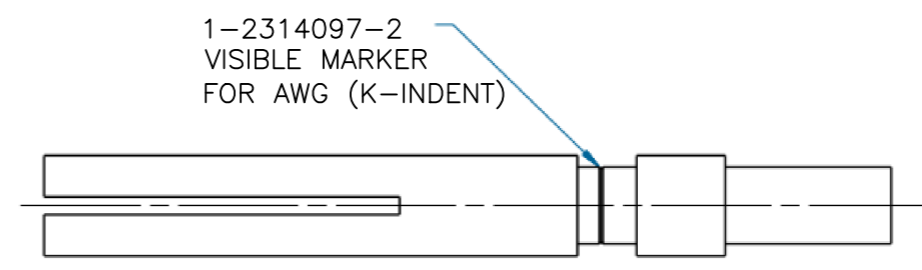
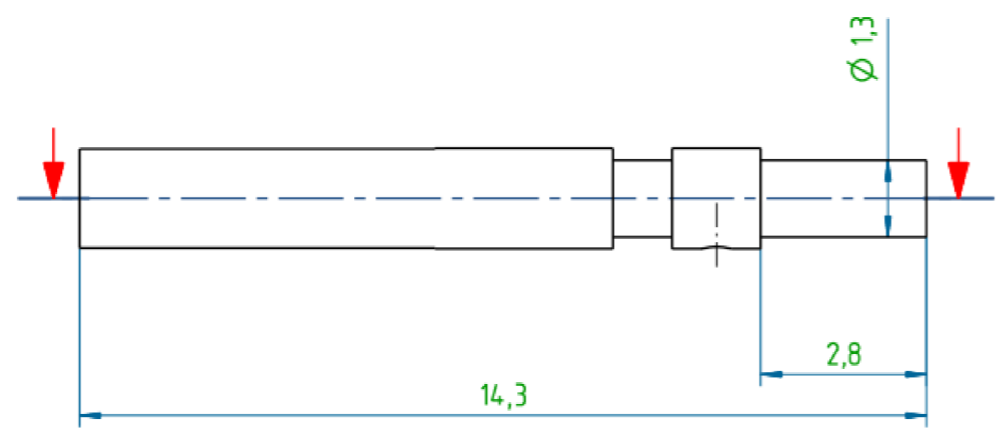


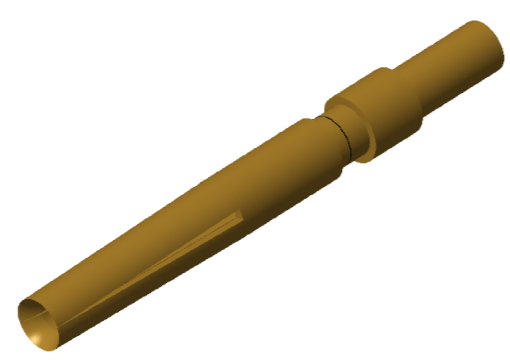
THIS DRAWING IS UNPUBLISHED. RELEASED FOR PUBLICATION  
 © COPYRIGHT - By - ALL RIGHTS RESERVED.

REVISIONS					
P	LTR	DESCRIPTION	DATE	DWN	APVD
	A2	REVISED PER ECR-17-013764	13NOV2018	GK	SE

PROJECT	PRJ-14-000004825
PART NO.	X-2314101-X
DESCRIPTION	M12 CRIMP CONTACT SOCKET 0.8mm AWG22/AWG26
CUSTOMER	GENERAL MARKET



1-2314101-1



1-2314101-2

NOTES:  
 1. APPLICATION TOOLING TO BE USED  
 601967-1 (STANDARD), RECOMMENDED POSITIONER IS 1-2823582-4  
 OR  
 601966-1 (COMPACT), RECOMMENDED POSITIONER IS 1-2823581-1.

SL.NO	PART NO.	PART NAME	ØD	MATERIAL	SURFACE TREATMENT	REMARKS
2	1-2314101-2	M12 CRIMP CONTACT SOCKET A 0.8MM AWG26 (AU08)	0.6	BRASS	1.5-2.5µm Ni/0.8µmAu	K-INDENT
1	1-2314101-1	M12 CRIMP CONTACT SOCKET A 0.8MM AWG22/AWG24 (AU08)	0.9		1.5-2.5µm Ni/0.8µmAu	-

THIS DRAWING IS A CONTROLLED DOCUMENT.		DWN KIRAN K 06DEC2016	TE Connectivity M12 CRIMP CONTACT SOCKET 0.8mm AWG22/AWG26		
DIMENSIONS: mm		CHK KIRAN K 06DEC2016			
TOLERANCES UNLESS OTHERWISE SPECIFIED: DIN ISO 2768 m		APVD S EGBERT 06DEC2016			
0 PLC ± - 1 PLC ± - 2 PLC ± - 3 PLC ± - 4 PLC ± - ANGLES ± -		NAME 108-156001			
MATERIAL: -		FINISH: -	PRODUCT SPEC 114-156002	APPLICATION SPEC	SIZE A3
			WEIGHT	CAGE CODE A	DRAWING NO C-2314101
CUSTOMER DRAWING			RESTRICTED TO	SCALE NTS	SHEET 1 OF 1
				REV A2	