

THIS DRAWING IS UNPUBLISHED.

RELEASED FOR PUBLICATION

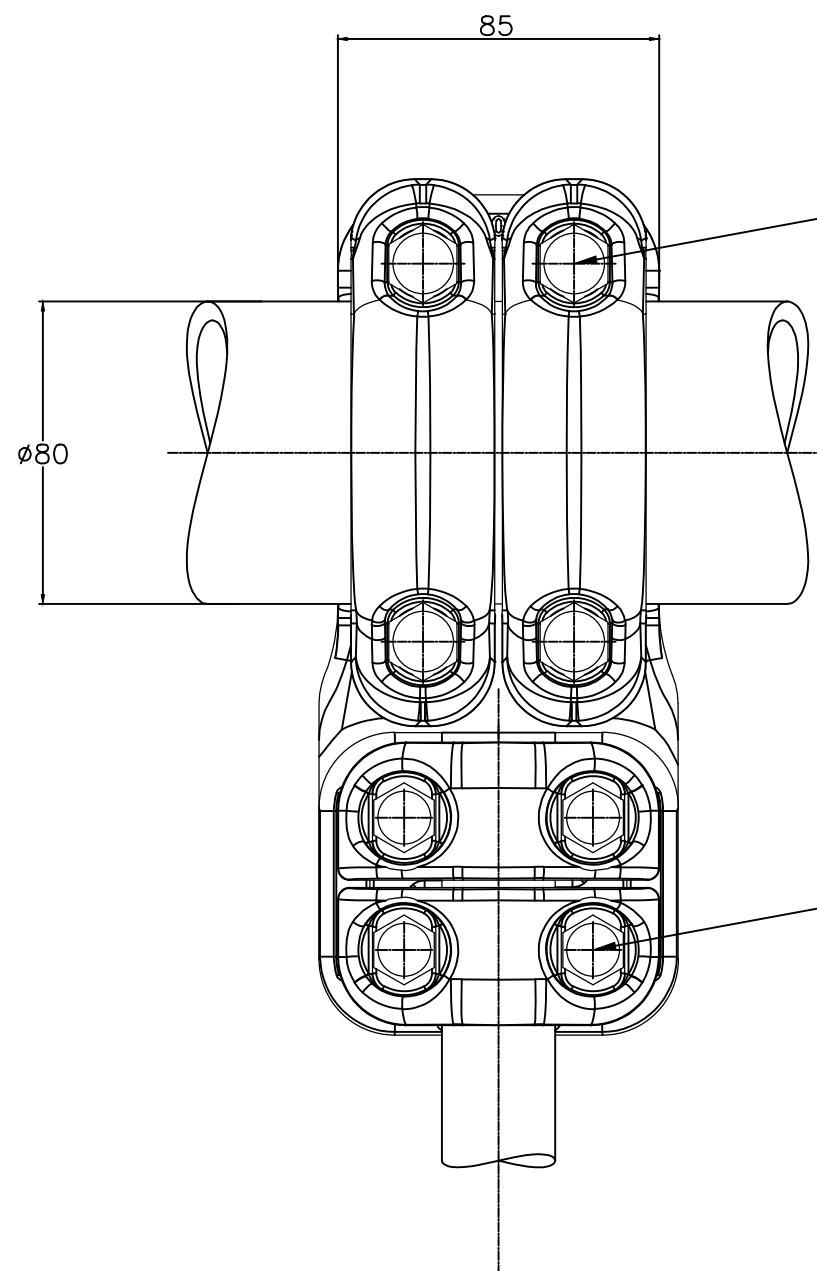
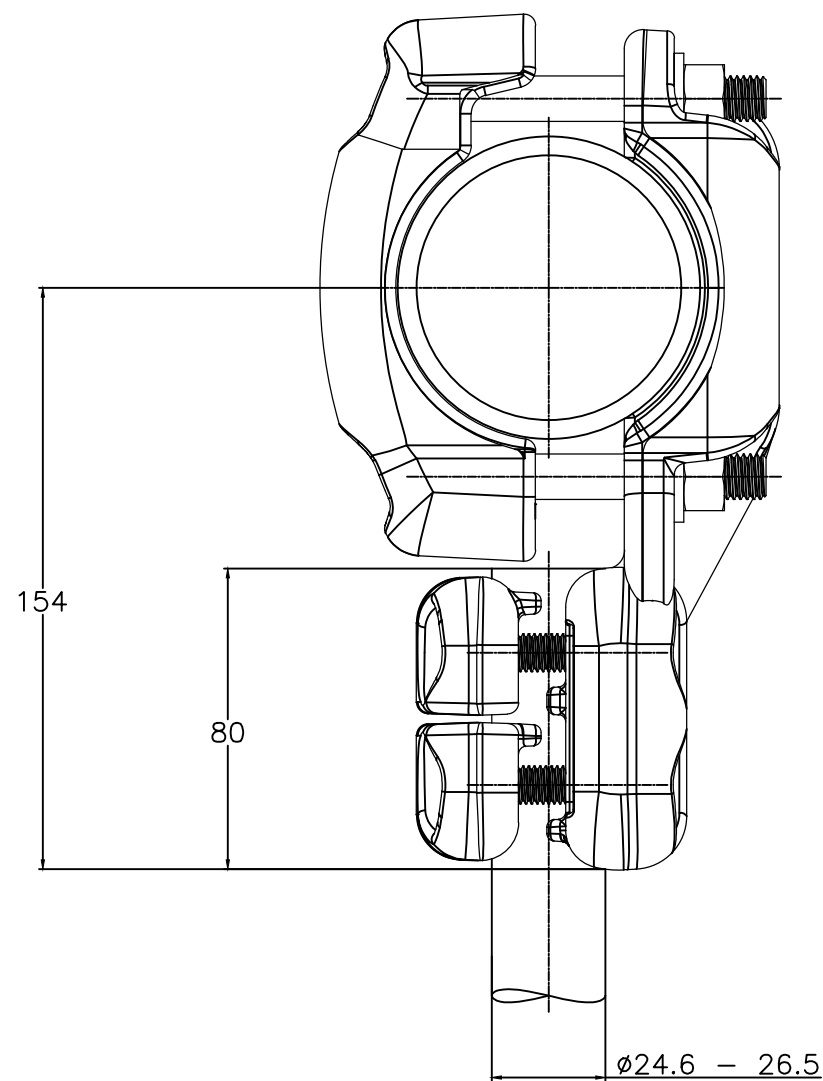
-. -. .

REVISIONS

ALL RIGHTS RESERVED.

© COPYRIGHT - By -


P	LTR	DESCRIPTION	DATE	DWN	APVD
	A	CREATION	30-Nov-16	GL	-



M12 Bolts stainless steel A2: 60Nm  
 Boulons M12 acier inoxydable A2: 60Nm

M10 Bolts stainless steel A2: 37Nm  
 Boulons M10 acier inoxydable A2: 37Nm

ITEM:.....

THIS DRAWING IS A CONTROLLED DOCUMENT.		DWN	30-Nov-16		 <b>TE Connectivity</b>											
DIMENSIONS: mm		CHK	-													
TOLERANCES UNLESS OTHERWISE SPECIFIED:		APVD	-													
<table border="0"> <tr><td>0 PLC</td><td>± -</td></tr> <tr><td>1 PLC</td><td>± -</td></tr> <tr><td>2 PLC</td><td>± -</td></tr> <tr><td>3 PLC</td><td>± -</td></tr> <tr><td>4 PLC</td><td>± -</td></tr> <tr><td>ANGLES</td><td>± -</td></tr> </table>		0 PLC	± -	1 PLC		± -	2 PLC	± -	3 PLC	± -	4 PLC	± -	ANGLES	± -	PRODUCT SPEC	NAME
0 PLC	± -															
1 PLC	± -															
2 PLC	± -															
3 PLC	± -															
4 PLC	± -															
ANGLES	± -															
MATERIAL		APPROX.WEIGHT	1.9 kg		5 MT 82 T80 S265											
FINISH		CUSTOMER DRAWING		SIZE	RESTRICTED TO											
-		-		A3	-											
		CAGE CODE		DRAWING NO												
		00779		C=2312905												
		SCALE		SHEET	REV											
		1:2		1 OF 1	A											