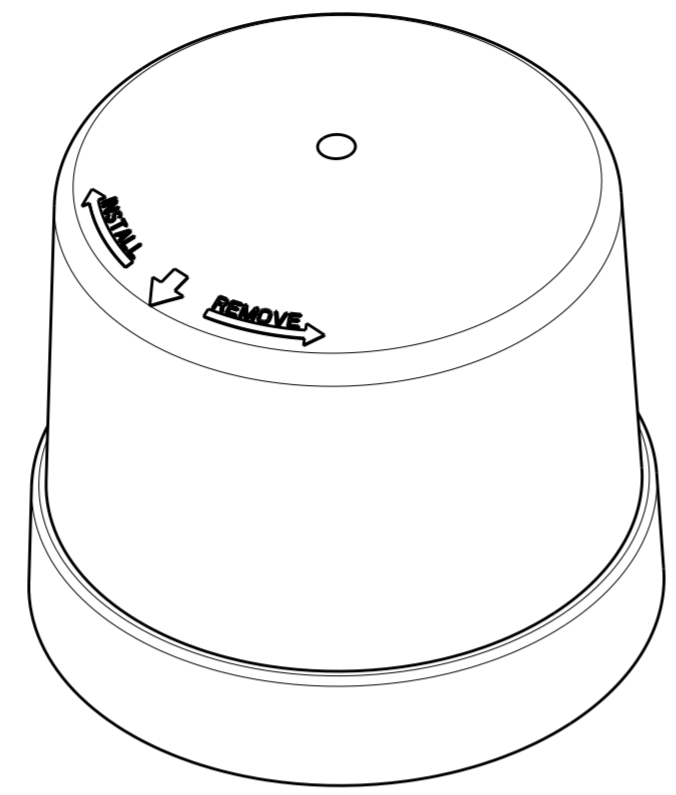
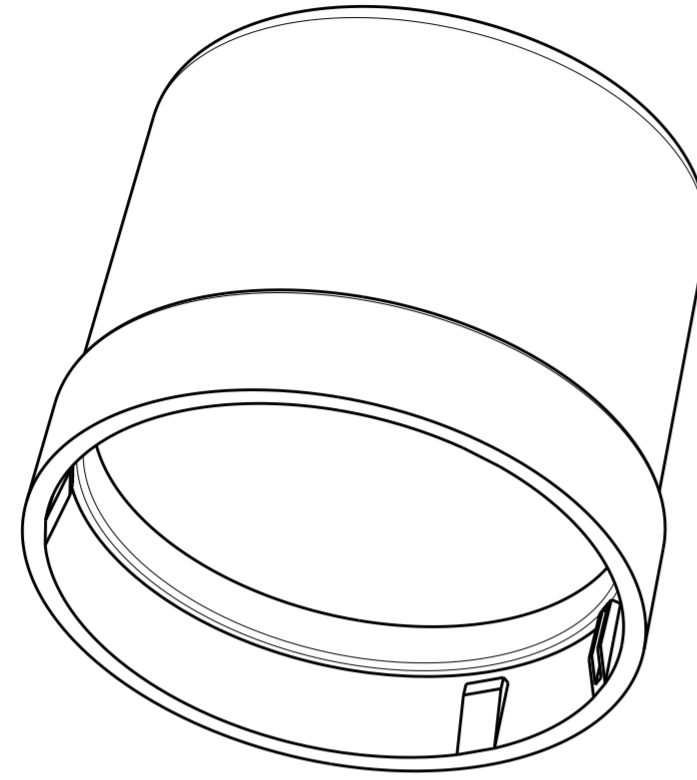
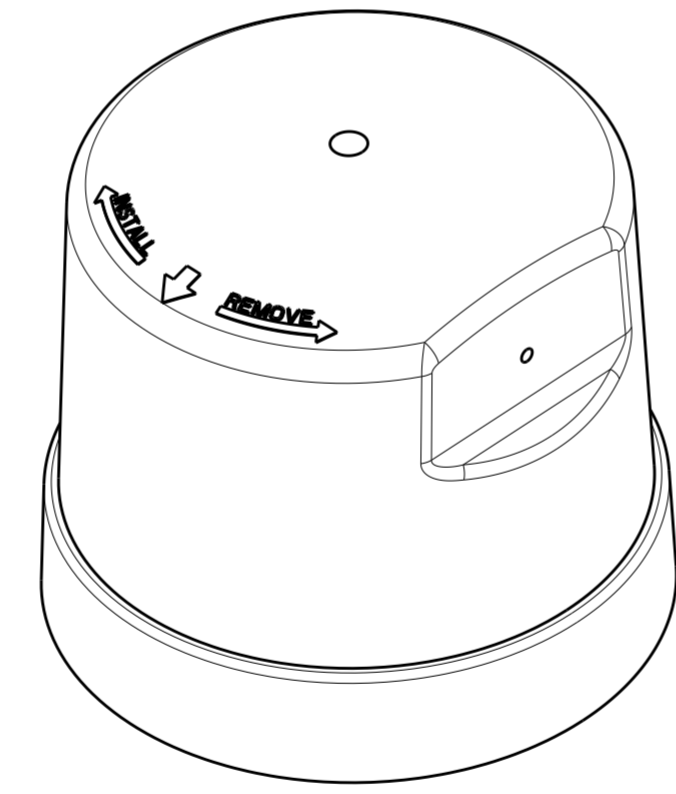
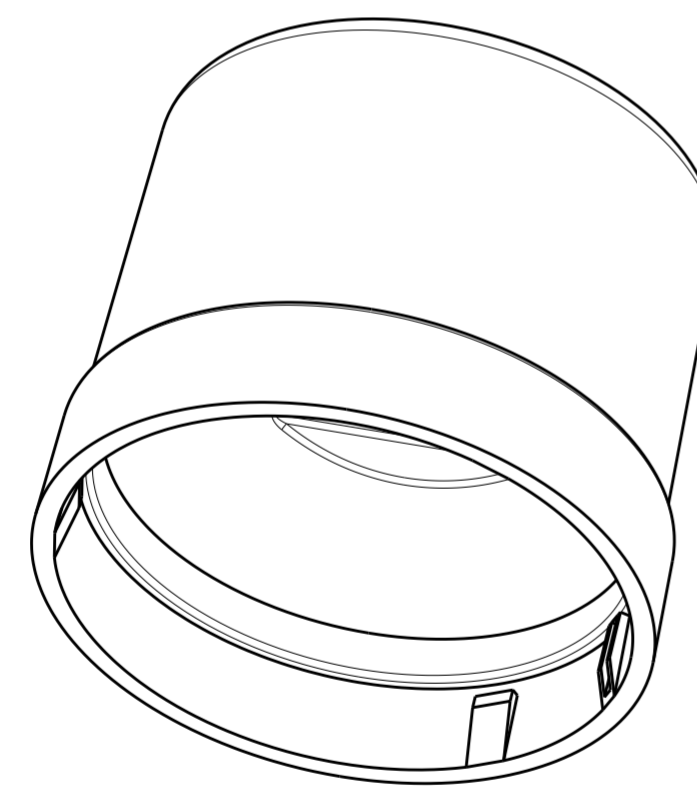


THIS DRAWING IS UNPUBLISHED. RELEASED FOR PUBLICATION 20
 © COPYRIGHT 20 BY - ALL RIGHTS RESERVED.

| REVISIONS | | | | |
|-----------|-----|---------------------------|-----------|-------|
| P | LTR | DESCRIPTION | DATE | APVD |
| A1 | | REVISED PER ECR-18-010124 | 02JUL2018 | SR DD |
| B | | REVISED PER ECR-19-002385 | 22APR2019 | SR DD |
| B1 | | REVISED PER ECR-19-006849 | 01MAY2019 | JS DD |
| B2 | | REVISED PER ECR-19-016909 | 04NOV2019 | SB DD |



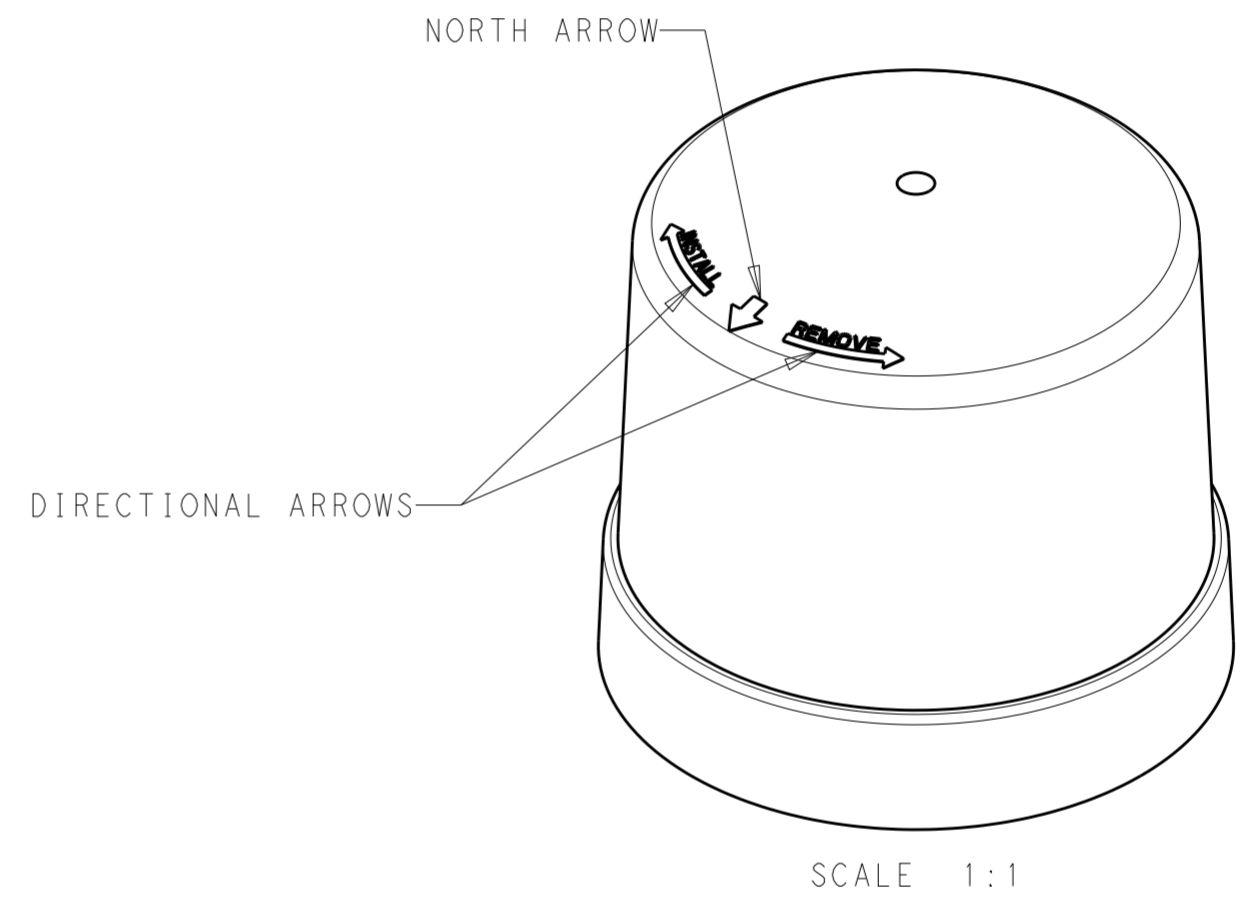
2311664-1, 2311664-2 AND 1-2311664-1



~~2-2311664-1 AND 3-2311664-1~~

NOTES:

- ⚠ MATERIALS:
HOUSING: POLYCARBONATE, UV 5VA RATED
COLOR: SEE TABLE
- ⚠ MATING BASE TE P/N: 2213730-X



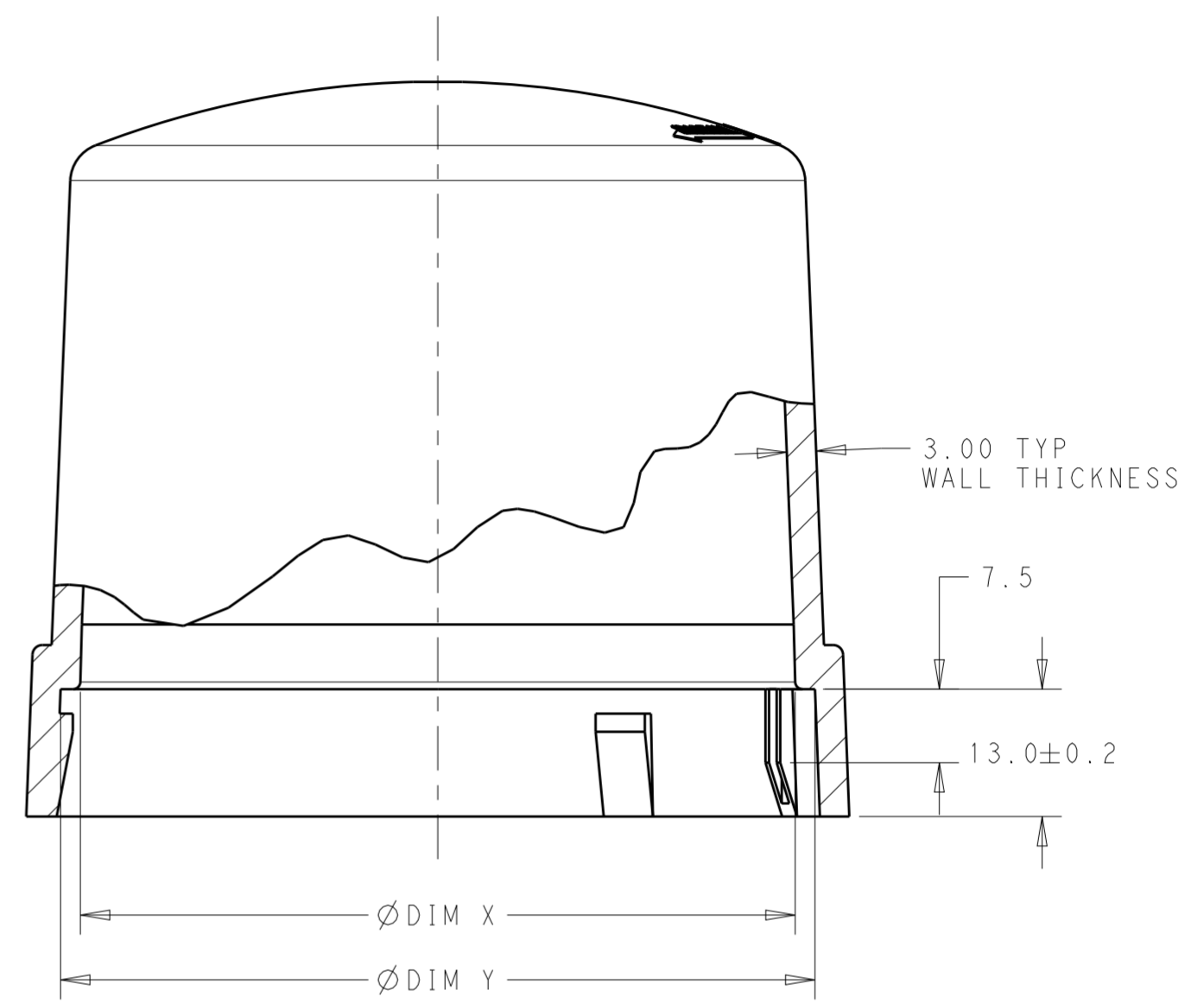
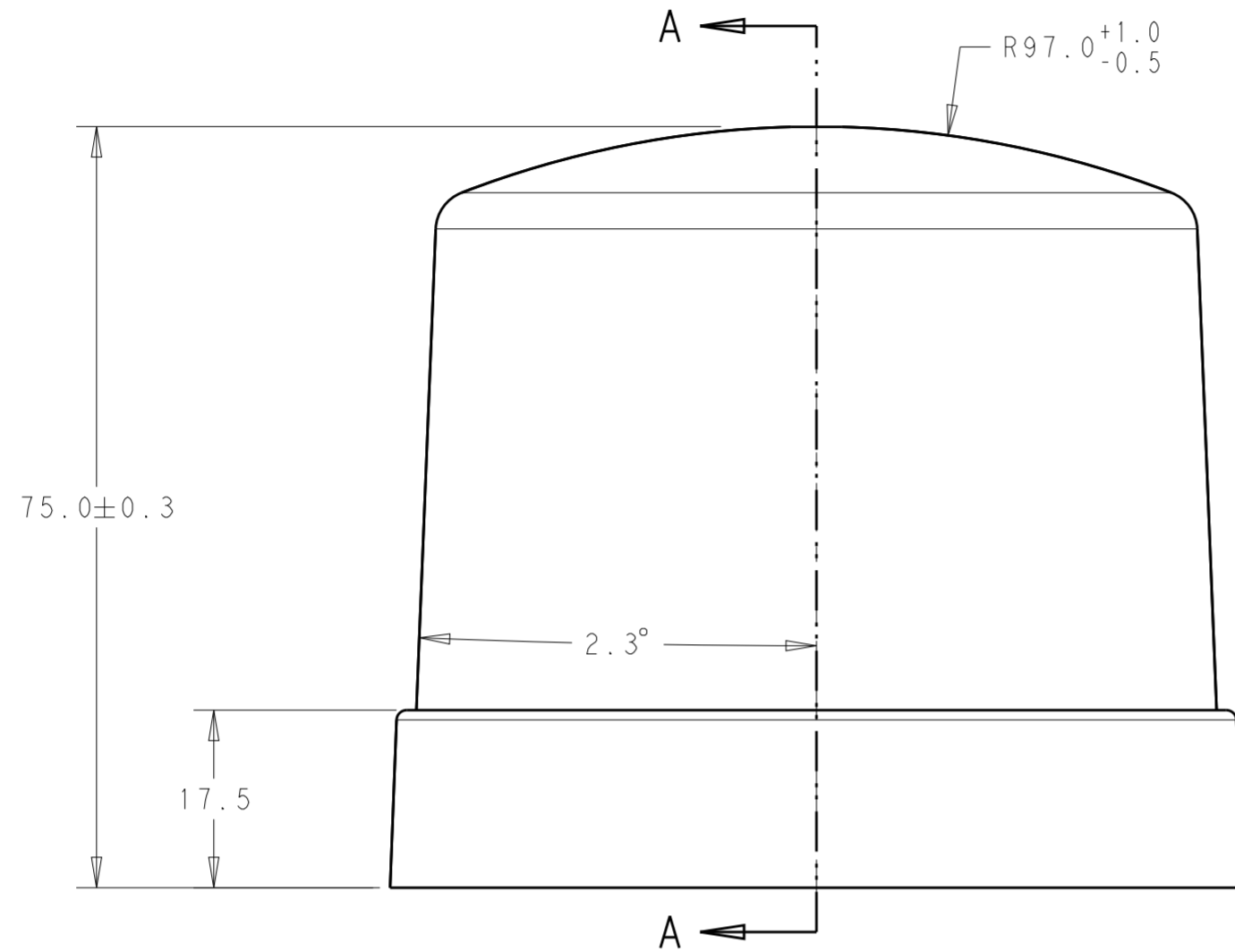
OBSOLETE

| APPROX LIGHT TRANSMISSION | COLOR | DIM Y | DIM X | PART NO. |
|---------------------------|-------------------|-------|-------|-------------|
| 78% | TRANSPARENT CLEAR | Ø77.0 | Ø73.0 | 5-2311664-1 |
| 24% | TRANSPARENT SMOKE | Ø77.0 | Ø73.0 | 4-2311664-1 |
| 78% | TRANSPARENT CLEAR | Ø77.0 | Ø73.0 | 3-2311664-1 |
| 24% | TRANSLUCENT SMOKE | Ø77.0 | Ø73.0 | 2-2311664-1 |
| 78% | TRANSPARENT CLEAR | Ø77.0 | Ø73.0 | 1-2311664-1 |
| 26% | TRANSLUCENT GRAY | Ø77.0 | Ø73.0 | 2311664-2 |
| 24% | TRANSLUCENT SMOKE | Ø77.0 | Ø73.0 | 2311664-1 |

| | | | | |
|--|--|--|------------------|--|
| THIS DRAWING IS A CONTROLLED DOCUMENT. | | DWN C DAILY 31OCT2016 | TE Connectivity | |
| | | CHK E HOWARD 31OCT2016 | | |
| DIMENSIONS: mm | | TOLERANCES UNLESS OTHERWISE SPECIFIED: 0 PLC ± 1 PLC ±0.3 2 PLC ±0.25 3 PLC ± 4 PLC ± ANGLES ±3° FINISH | | NAME COVER, LIGHT CONTROLLER 76mm DIA, 75mm TALL |
| MATERIAL | | APVD | PRODUCT SPEC | RESTRICTED TO |
| | | APVD | APPLICATION SPEC | |
| | | WEIGHT | SIZE | SCALE |
| | | CUSTOMER DRAWING | A2 | 3:2 |
| | | | CAGE CODE | SHEET |
| | | | 2311664 | 1 OF 4 |
| | | | REV | B2 |

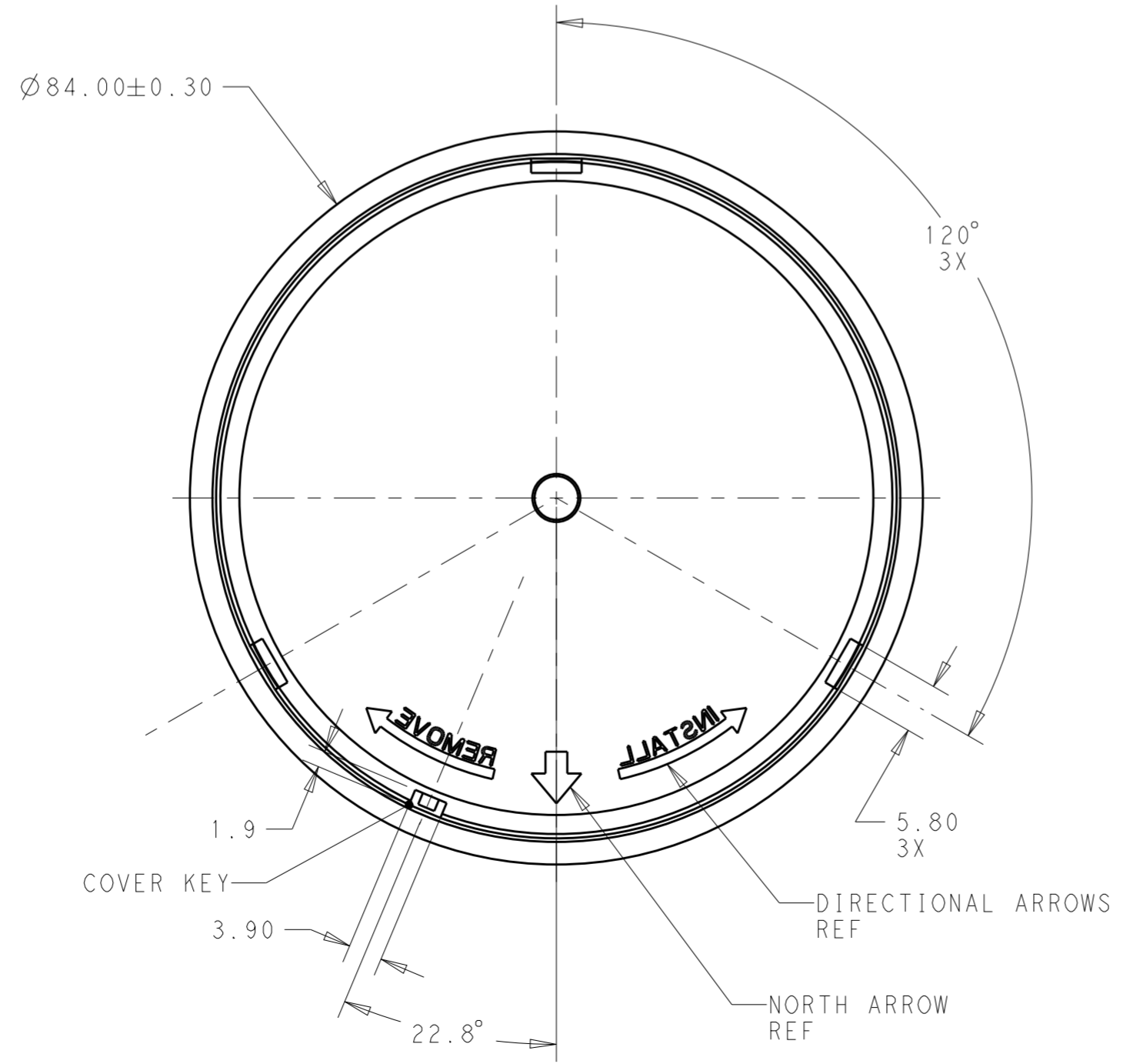
THIS DRAWING IS UNPUBLISHED. RELEASED FOR PUBLICATION 20
 © COPYRIGHT 20 BY - ALL RIGHTS RESERVED.

| REVISIONS | | | | |
|-----------|-----|-------------|------|------|
| P | LTR | DESCRIPTION | DATE | APVD |
| - | - | SEE SHEET 1 | - | - |
| | | | | |
| | | | | |



SECTION A-A

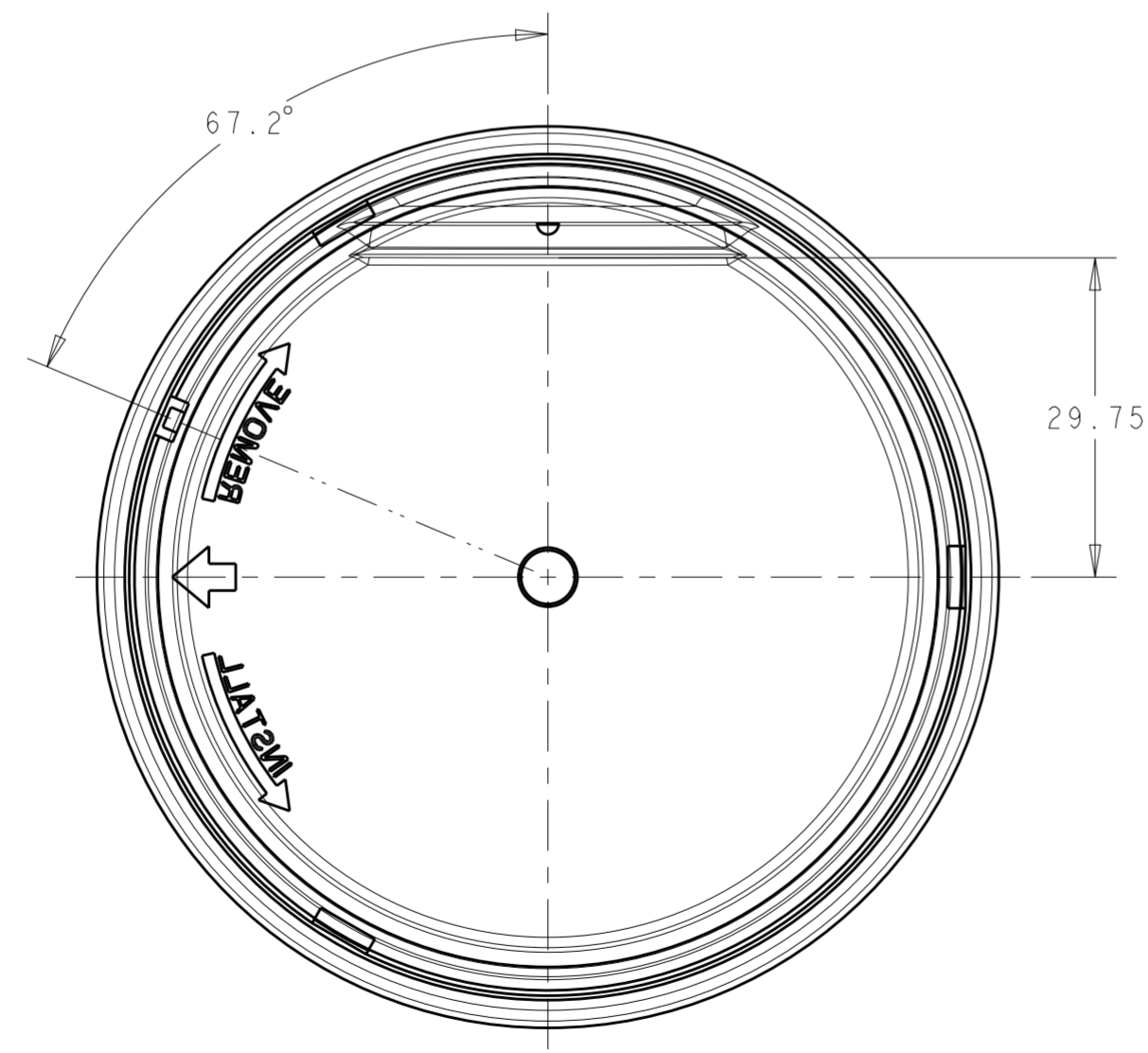
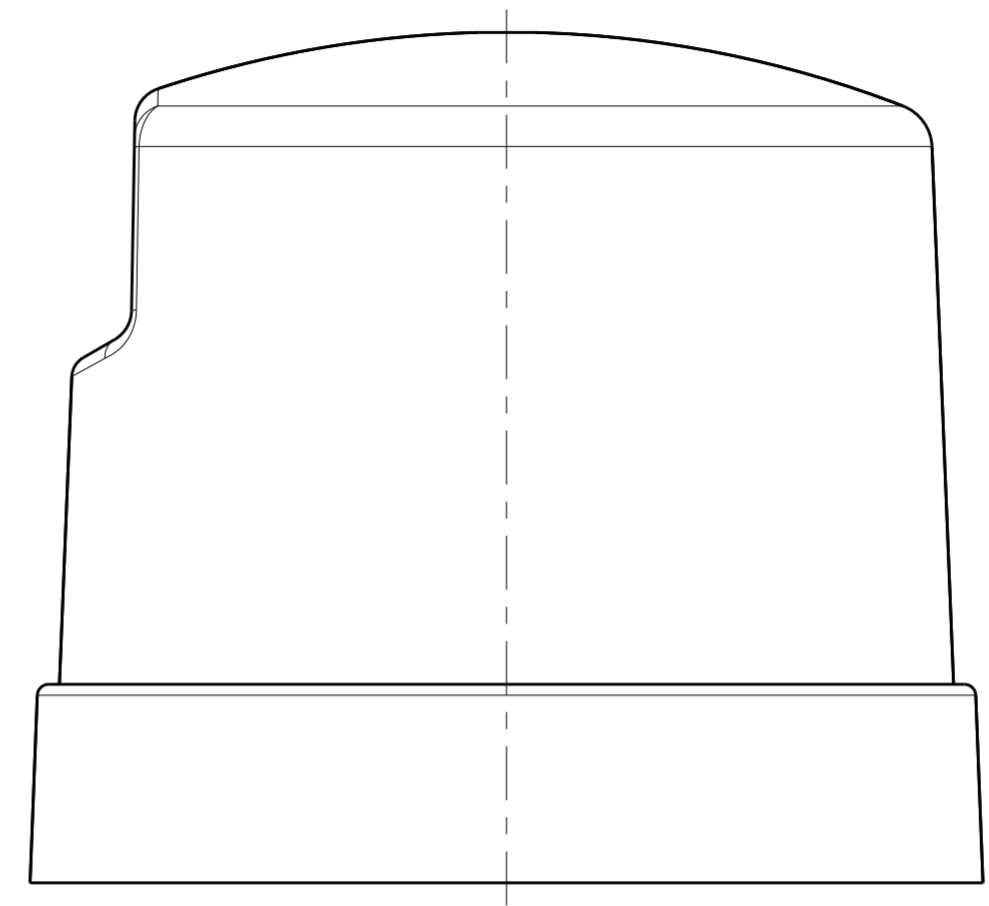
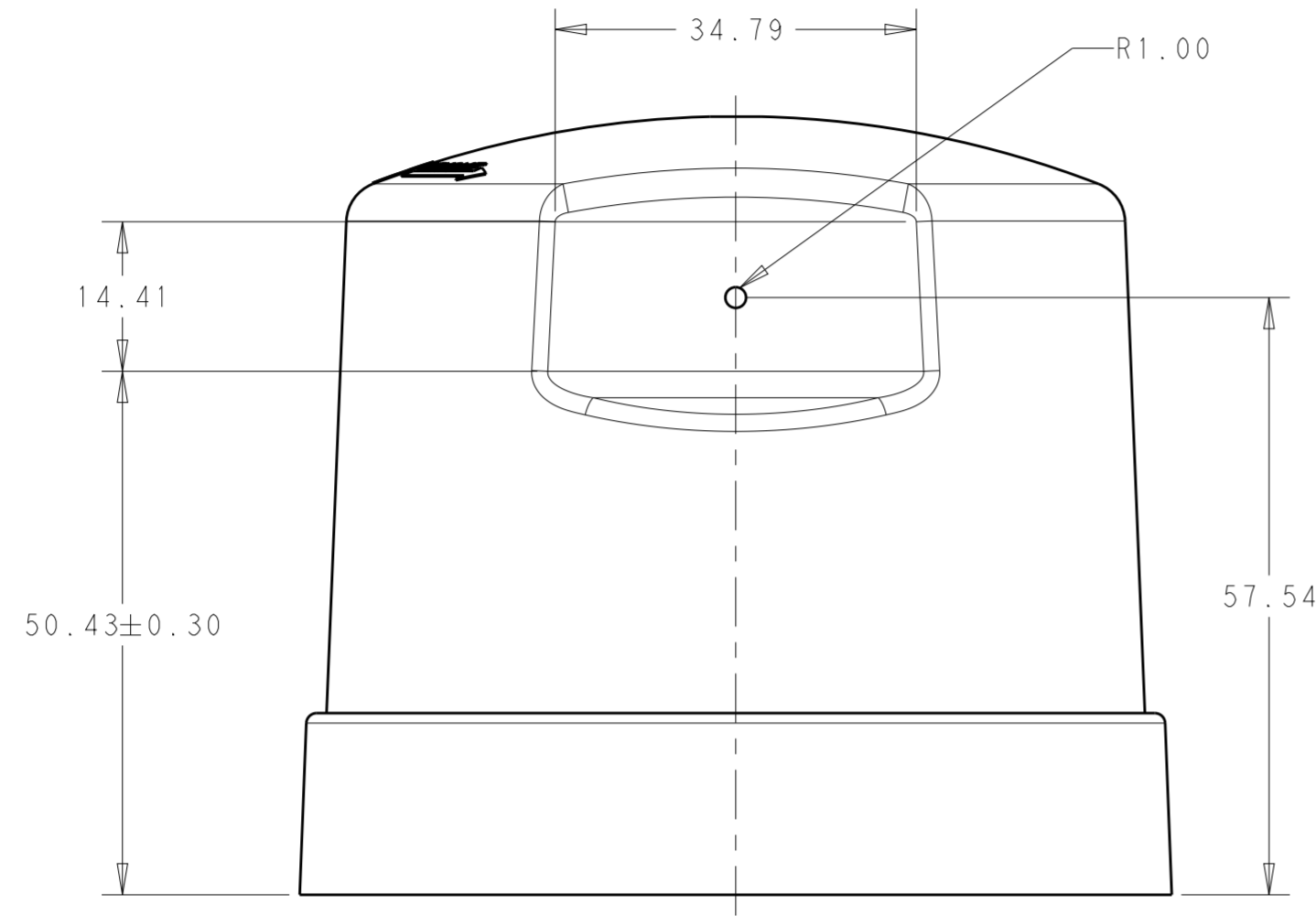
2311664-1, 2311664-2 AND 1-2311664-1
 SHOWN



| | | | | |
|--|---|--|----------------------------|--|
| THIS DRAWING IS A CONTROLLED DOCUMENT. | | DWN C. DAILY 31OCT2016 | STE TE Connectivity | |
| | | CHK E. HOWARD 31OCT2016 | | |
| DIMENSIONS: mm | | TOLERANCES UNLESS OTHERWISE SPECIFIED: | | APVD - |
| | | 0 PLC ± | 1 PLC ±0.3 | PRODUCT SPEC |
| | | 2 PLC ±0.25 | 3 PLC ± | APPLICATION SPEC |
| | | 4 PLC ± | ANGLES ±3° | FINISH |
| MATERIAL | - | WEIGHT | - | NAME COVER, LIGHT CONTROLLER 76mm DIA, 75mm TALL |
| CUSTOMER DRAWING | | SCALE | 3:2 | SIZE A2 |
| | | SHEET | 2 OF 4 | RESTRICTED TO - |
| | | REV | B2 | |

THIS DRAWING IS UNPUBLISHED. RELEASED FOR PUBLICATION 20
 © COPYRIGHT 20 BY - ALL RIGHTS RESERVED.

| REVISIONS | | | | |
|-----------|-----|-------------|------|------|
| P | LTR | DESCRIPTION | DATE | APVD |
| - | - | SEE SHEET 1 | - | - |
| | | | | |
| | | | | |

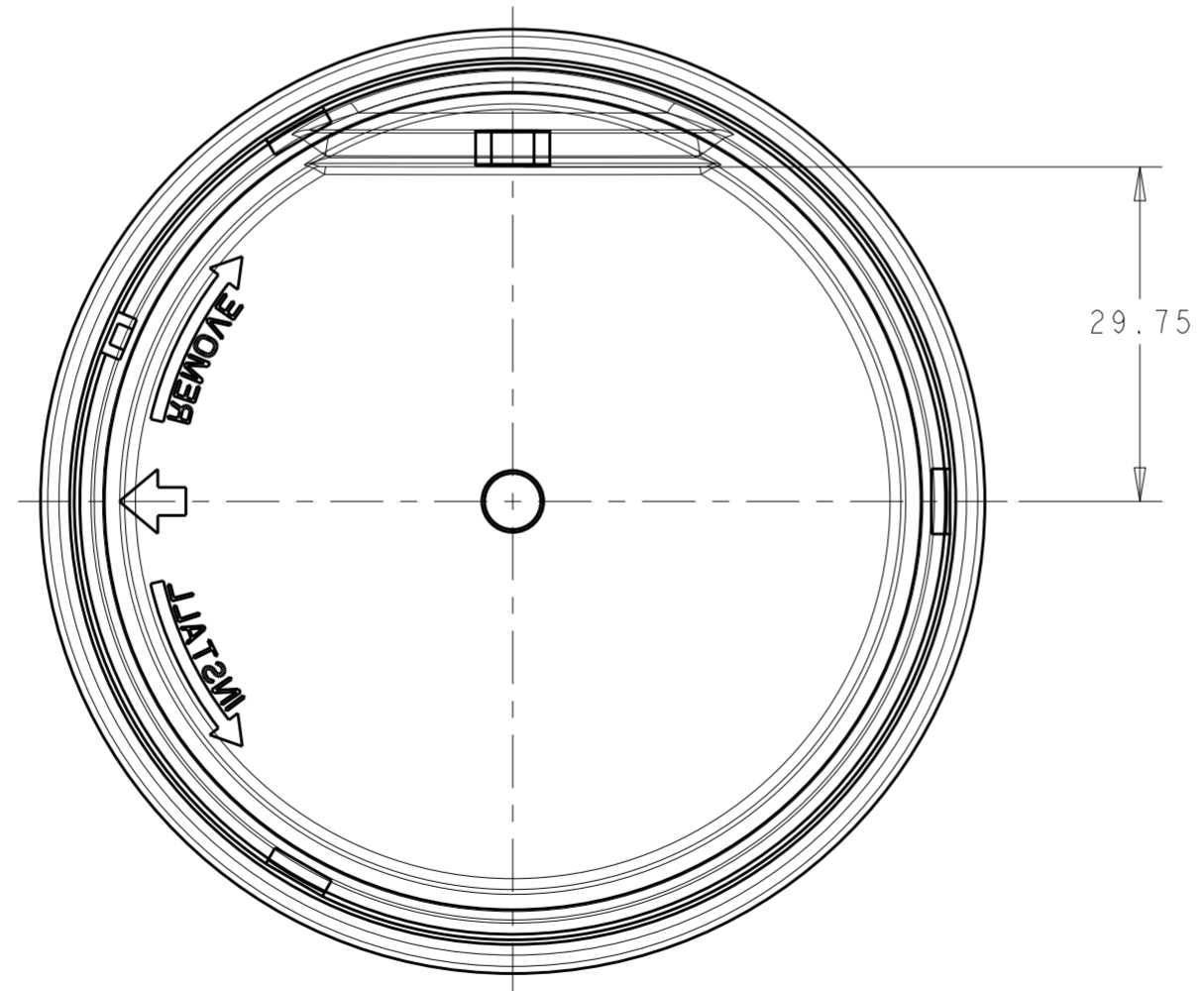
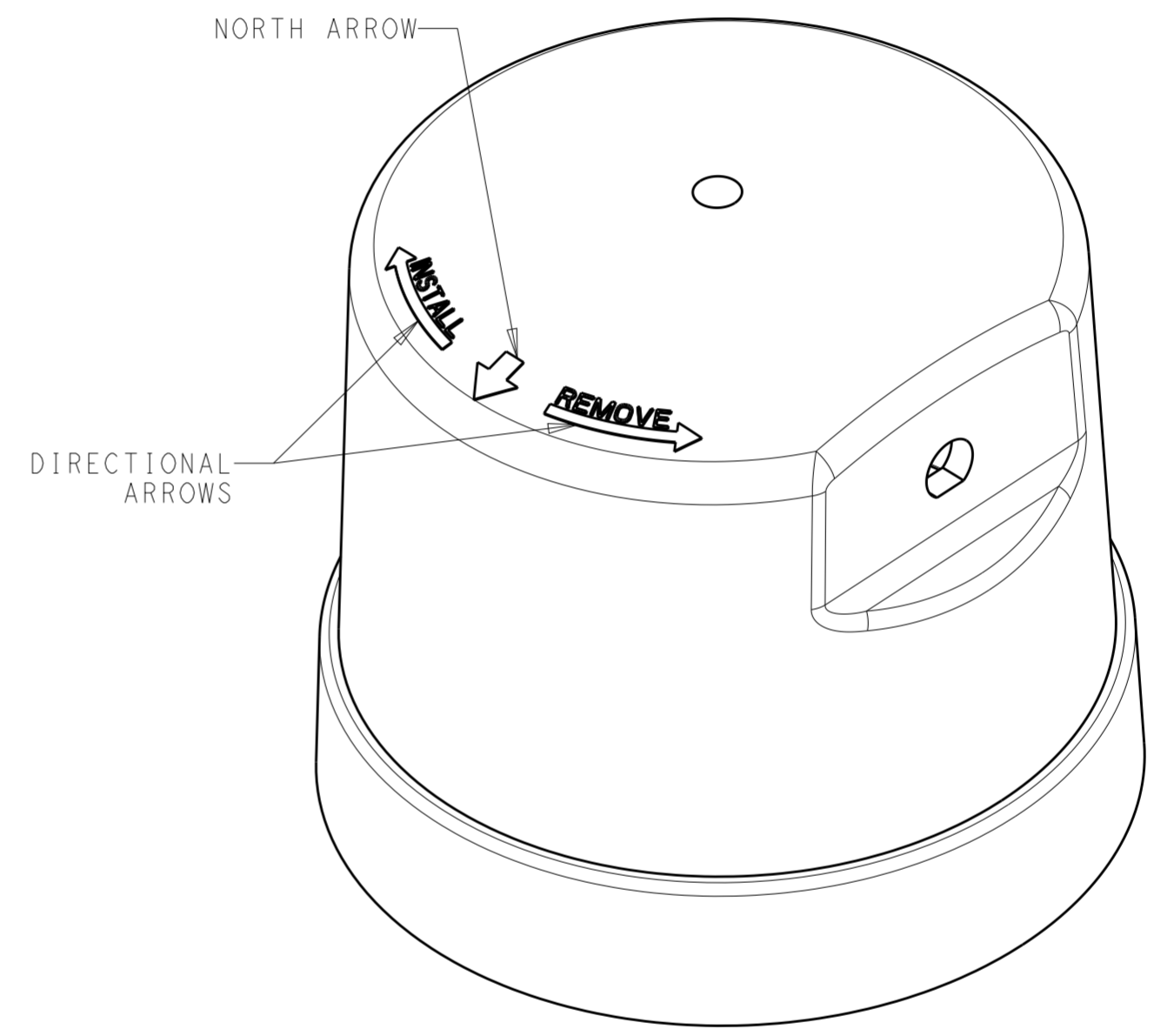
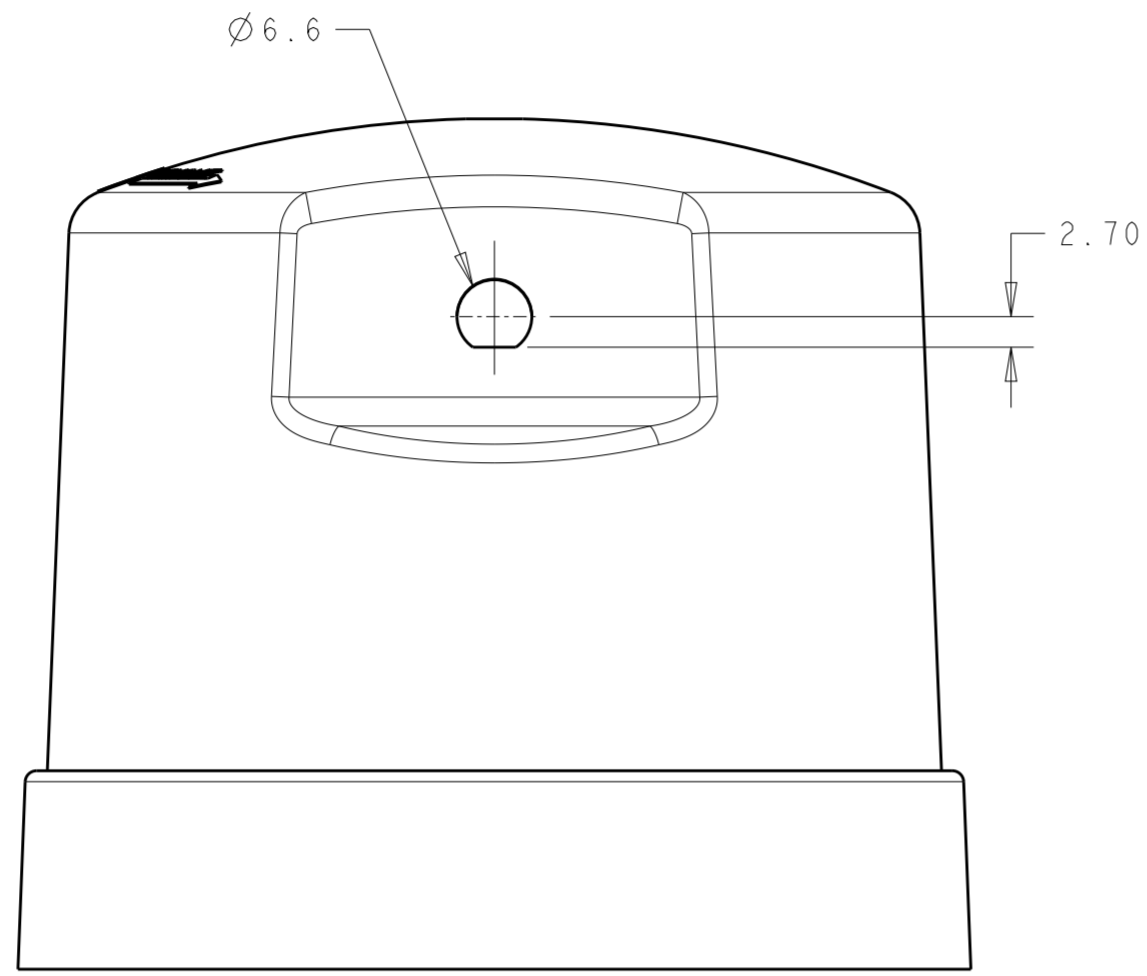


~~2-2311664-1 AND 3-2311664-1~~
 SAME AS 2311664-1
 EXCEPT AS SHOWN

| | | | | |
|--|--|-------------------------------|--|--------------------------|
| THIS DRAWING IS A CONTROLLED DOCUMENT. | | DWN C. DAILY 31OCT2016 | STE TE Connectivity | |
| | | CHK E. HOWARD 31OCT2016 | | |
| DIMENSIONS: | | APVD - | NAME COVER, LIGHT CONTROLLER 76mm DIA, 75mm TALL | |
| mm | TOLERANCES UNLESS OTHERWISE SPECIFIED: | PRODUCT SPEC - | SIZE A2 | |
| | 0 PLC ± 1 PLC ±0.3 2 PLC ±0.25 3 PLC ± 4 PLC ± | APPLICATION SPEC - | CAGE CODE - | DRAWING NO. C-2311664 |
| MATERIAL | FINISH | WEIGHT - | RESTRICTED TO - | SCALE 3:2 |
| - | - | CUSTOMER DRAWING | SHEET 3 OF 4 | REV B2 |

THIS DRAWING IS UNPUBLISHED. RELEASED FOR PUBLICATION 20
 © COPYRIGHT 20 BY - ALL RIGHTS RESERVED.

| REVISIONS | | | | |
|-----------|-----|-------------|------|------|
| P | LTR | DESCRIPTION | DATE | APVD |
| - | - | SEE SHEET 1 | - | - |
| | | | | |
| | | | | |



4-2311664-1 AND 5-2311664-1
 SAME AS
 2311664-1 AND 1-2311664-1
 EXCEPT AS SHOWN

| | | | | |
|--|--|--|----------------------------|--|
| THIS DRAWING IS A CONTROLLED DOCUMENT. | | DWN C. DAILY 31OCT2016 | STE TE Connectivity | |
| | | CHK E. HOWARD 31OCT2016 | | |
| DIMENSIONS: mm | | TOLERANCES UNLESS OTHERWISE SPECIFIED: | | APVD - |
| 0 PLC ± | | 1 PLC ±0.3 | | PRODUCT SPEC - |
| 2 PLC ±0.25 | | 3 PLC ± | | APPLICATION SPEC - |
| 4 PLC ± | | ANGLES ±3° | | WEIGHT - |
| FINISH | | MATERIAL | | NAME COVER, LIGHT CONTROLLER 76mm DIA, 75mm TALL |
| - | | - | | SIZE A2 |
| - | | - | | CAGE CODE - |
| - | | - | | DRAWING NO G-2311664 |
| - | | - | | RESTRICTED TO - |
| - | | - | | SCALE 3:2 |
| - | | - | | SHEET 4 OF 4 |
| - | | - | | REV B2 |
| - | | - | | CUSTOMER DRAWING |