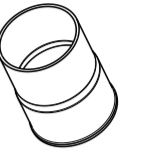


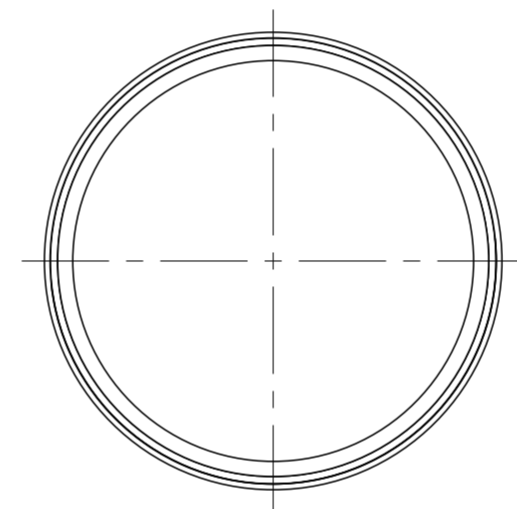
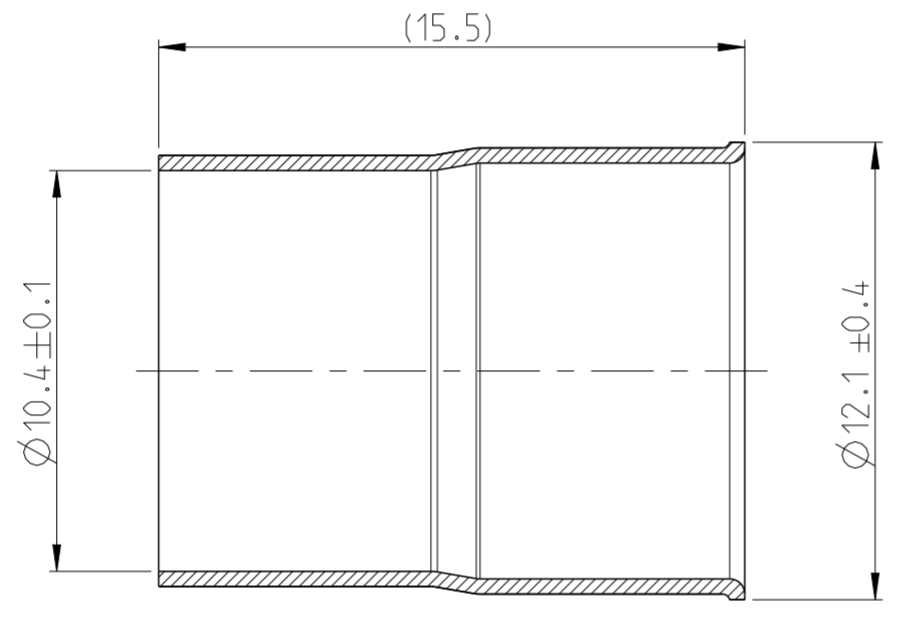
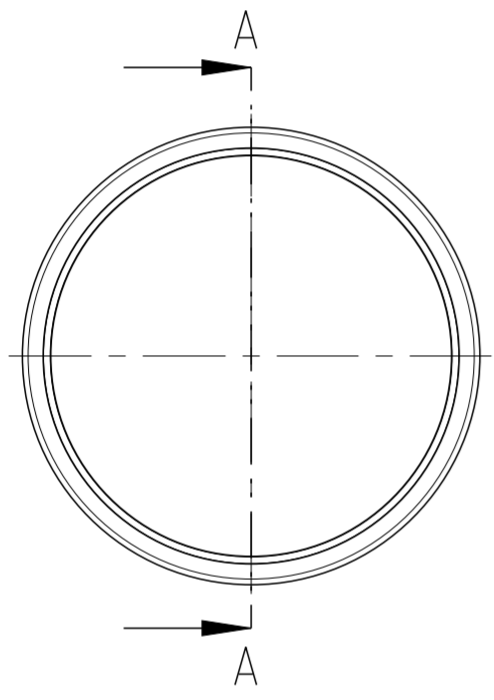
P	LTR	DESCRIPTION	DATE	DWN	APVD
	A	NEW DRAWING	12 JUN 2019	GP	HR

1:1



0- -1 AS SHOWN wie gezeichnet

A-A



NOTES
Bemerkungen

- 1 PACKAGING: BULK PACKAGING INTO PLASTIC BAG AND CORRUGATED SHIPPING BOX PN: 0-973058-3
Verpackung: Schuetfgut in Beutel und Versandkarton PN: 0-973058-3

0-2310222-1	A	OUTER FERRULE Crimphuelse
TE PART NO. Teile-Nr.	REV	DESCRIPTION Benennung

THIS DRAWING IS A CONTROLLED DOCUMENT.		DWN G. PUCKEL 12 JUN 2019	TE Connectivity	
		CHK H. RIPPER 13 JUN 2019		
DIMENSIONS: mm		APVD Z. STJEPANOVIC 13 JUN 2019	NAME OUTER FERRULE PCON12 PLUG 2P	
TOLERANCES UNLESS OTHERWISE SPECIFIED:		PRODUCT SPEC 108-94749	RESTRICTED TO	
0 PLC ±		APPLICATION SPEC 114-94518	SIZE A2	CAGE CODE 00779
1 PLC ±		WEIGHT -	DRAWING NO C-2310222	SCALE 5:1
2 PLC ±			SHEET 1 OF 1	REV A
3 PLC ±				
4 PLC ±				
ANGLES ±°				
FINISH				
MATERIAL C19400 ANNEALED TE Spec. 100-265	SILVER PLATED versilbert	CUSTOMER DRAWING		