

THIS DRAWING IS UNPUBLISHED.

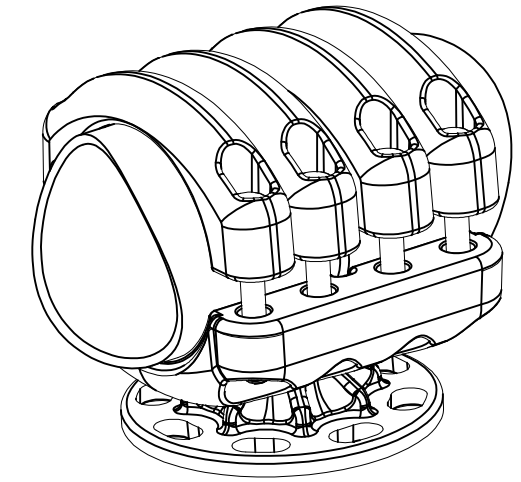
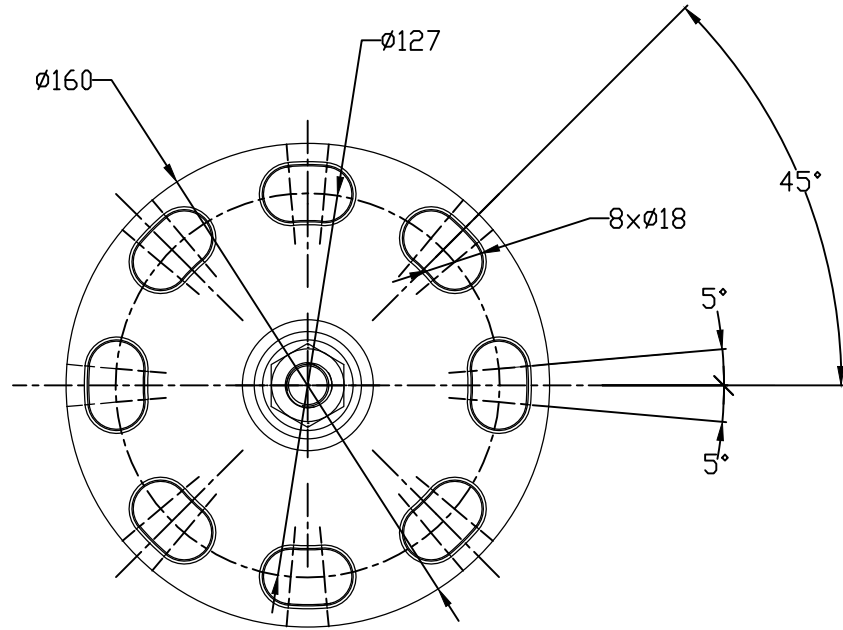
RELEASED FOR PUBLICATION

ALL RIGHTS RESERVED.

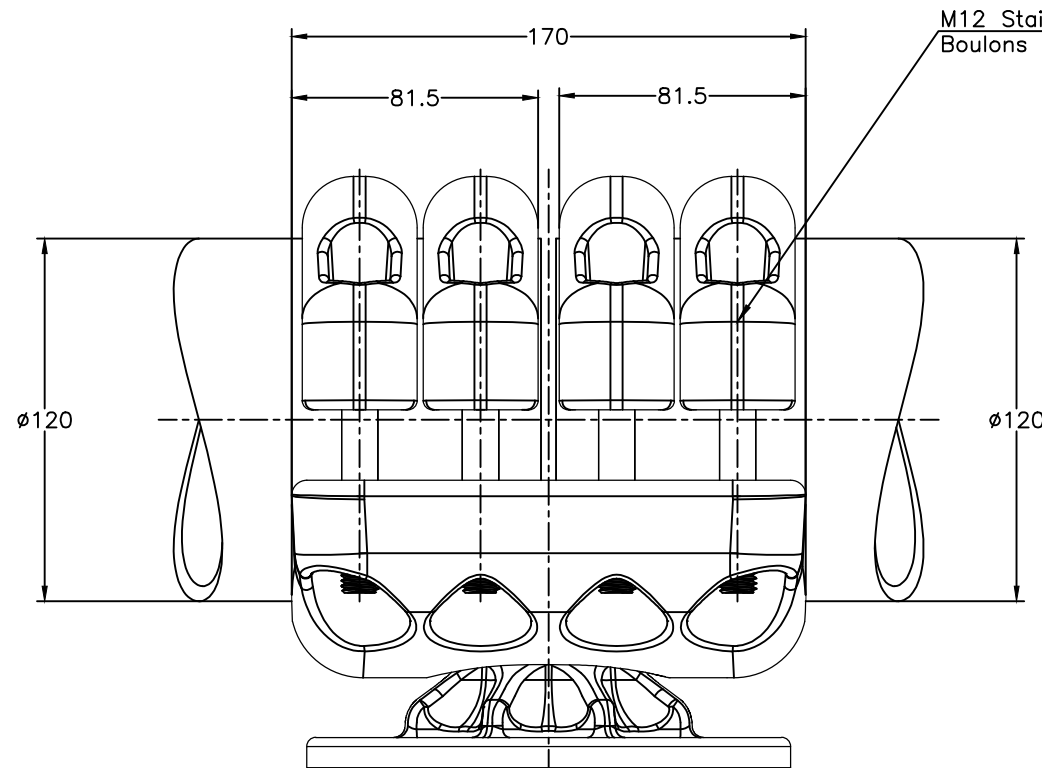
© COPYRIGHT - By -

REVISIONS

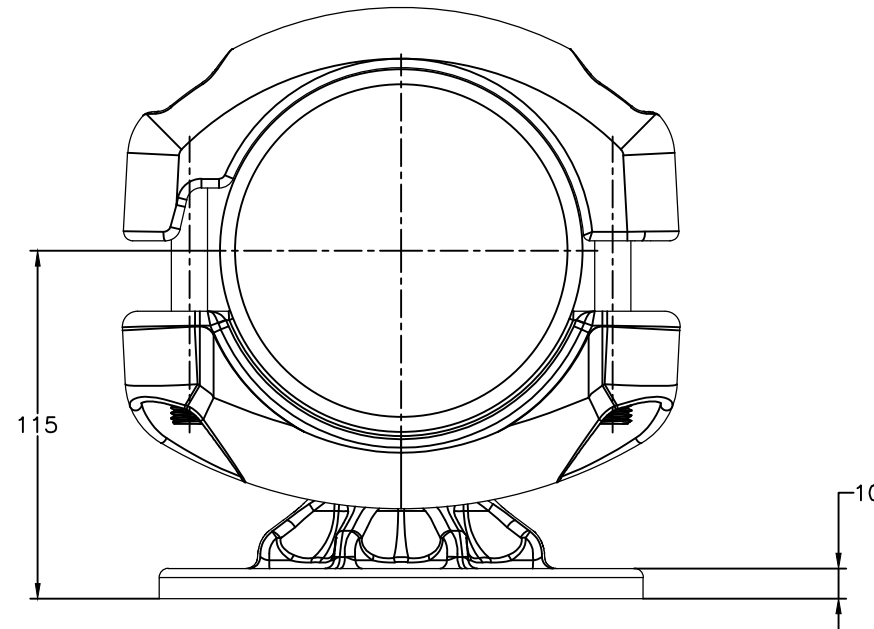
P	LTR	DESCRIPTION	DATE	DWN	APVD
	B	UPDATED DRAWING	09-JAN-19	GL	-



No scale
Sans echelle



M12 Stainless steel Bolts A4 : 60Nm
Boulons M12 acier inoxydable A4: 60Nm



THIS DRAWING IS A CONTROLLED DOCUMENT.

DWN MOYEUX 04-Oct-16

CHK -

APVD -

PRODUCT SPEC

108-69094-001

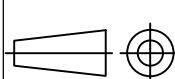
APPLICATION SPEC

-

APPROX.WEIGHT 2.6 kg

CUSTOMER DRAWING

DIMENSIONS:
mm



TOLERANCES UNLESS OTHERWISE SPECIFIED:

0 PLC	± -
1 PLC	± -
2 PLC	± -
3 PLC	± -
4 PLC	± -
ANGLES	± -
FINISH	-

MATERIAL -



NAME
BUS JUNCTION SUPPORT FOR TUBE Ø120
SUPPORT JONCTION POUR TUBE Ø120
5 TJ 84 P5 T120

SIZE	CAGE CODE	DRAWING NO	RESTRICTED TO
A3	00779	C=2310075	-

SCALE 1:2 SHEET 1 OF 1 REV B

ITEM:.....