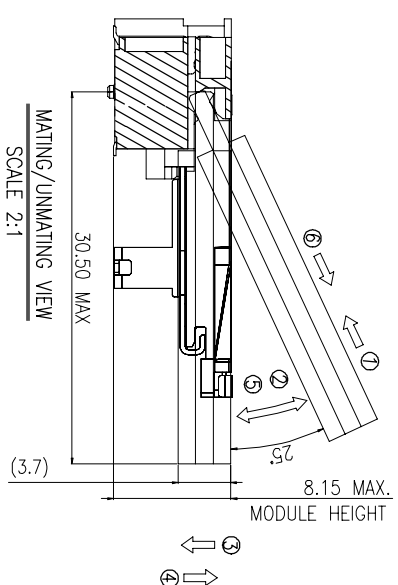
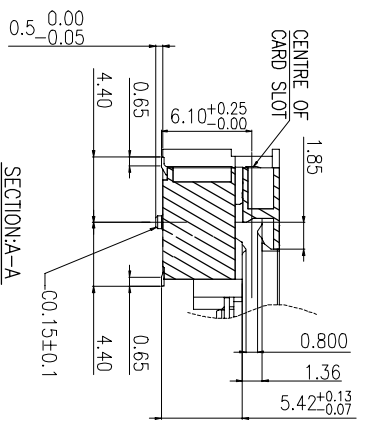


- NOTES:
1. MATERIAL:
 - 1.1 HOUSING: HIGH TEMPERATURE THERMO PLASTIC, UL94V-0, COLOR: BLACK.
 - 1.2 CONTACT: COPPER ALLOY.
 - 1.3 SOLDER PEG AND LATCH: STAINLESS STEEL.
 2. FINISH:
 - SOLDER PEG: GOLD FLASH ON 50u" MIN NICKEL UNDERPLATED ALL OVER.
 - CONTACT SOLDER AREA: GOLD FLASH ON 50u" MIN NICKEL UNDERPLATED ALL OVER.
 - 2.1 CONTACT AREA: GOLD FLASH ON 50u" MIN NICKEL UNDERPLATED ALL OVER.
 - 2.2 CONTACT AREA: 5u" ON 50u" MIN NICKEL UNDERPLATED ALL OVER.
 - 2.3 CONTACT AREA: 10u" ON 50u" MIN NICKEL UNDERPLATED ALL OVER.
 - 2.4 CONTACT AREA: 15u" ON 50u" MIN NICKEL UNDERPLATED ALL OVER.
 - 2.5 CONTACT AREA: 30u" ON 50u" MIN NICKEL UNDERPLATED ALL OVER.
 3. COPPLANARITY: 0.10MAX. (BEFORE SOLDERING)



MATING: ① INSERTING (25) — ② ROTATING — ③ FIXED
 UNMATING: ④ UNFIXED — ⑤ ROTATING — ⑥ WITHDRAWING

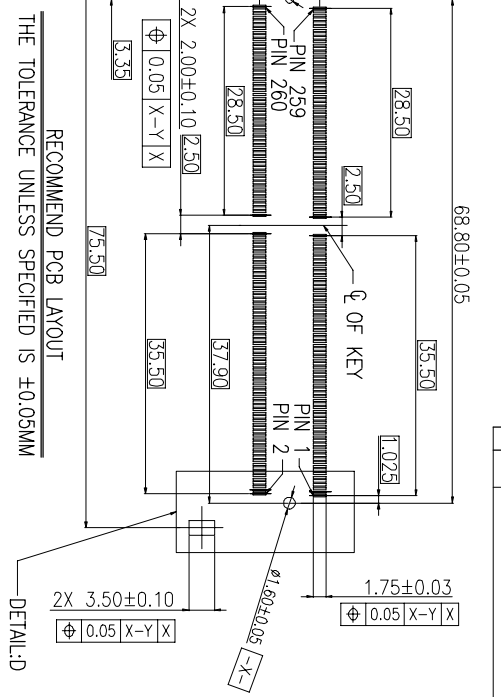
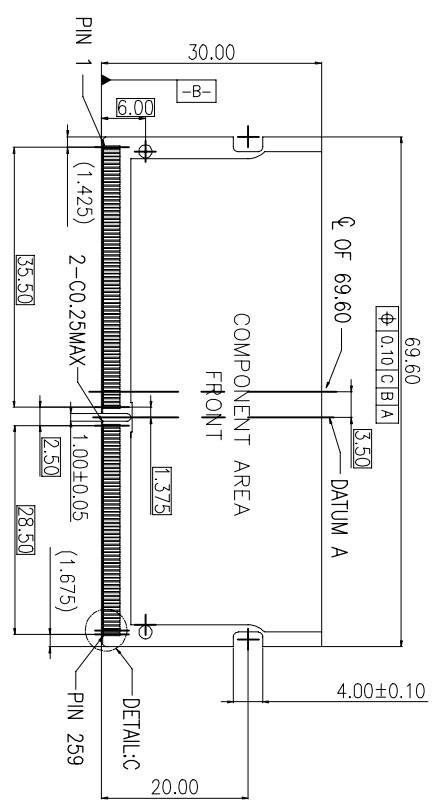


TAPE&REEL	BLACK	1.2V	260	2309411-5
TAPE&REEL	BLACK	1.2V	260	2309411-4
TAPE&REEL	BLACK	1.2V	260	2309411-3
TAPE&REEL	BLACK	1.2V	260	2309411-2
TAPE&REEL	BLACK	1.2V	260	2309411-1
PAKING TYPE	POWER SUPPLY FINISH	POS	PART NO.	

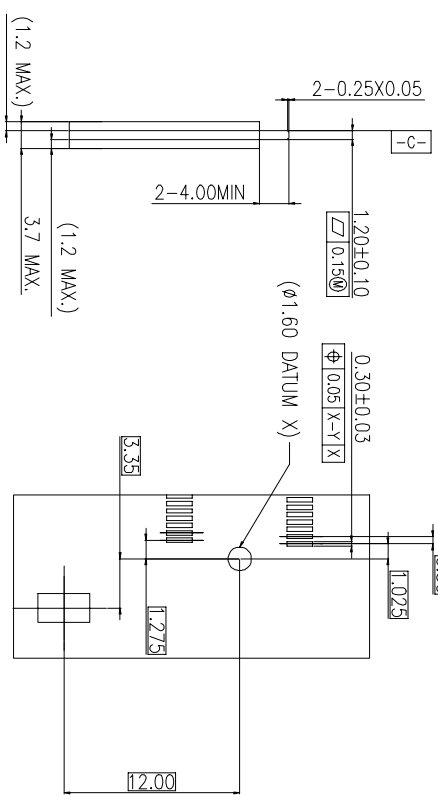
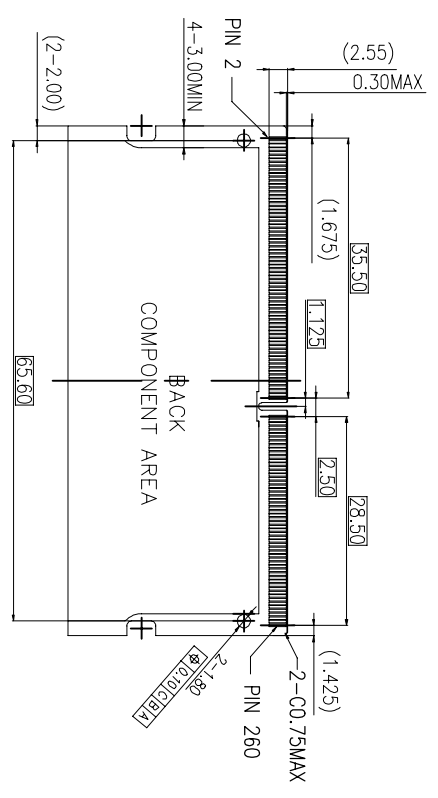
DIMENSIONS:	TOLERANCES UNLESS OTHERWISE SPECIFIED:
0 R.C.	± 0.25
1 R.C.	± 0.15
2 R.C.	± 0.10
3 R.C.	± 0.05
4 R.C.	± 0.02

PROPERTY	VALUE
DR4 SODIUM SOCKET	
0.5mm PITCH 260POS	
8.0mm HEIGHT STANDARD TYPE	

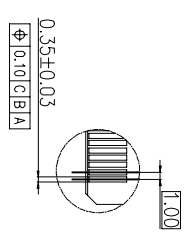
PROPERTY	VALUE
TE CONNECTIVITY	
TE CONNECTIVITY	



RECOMMEND PCB LAYOUT
THE TOLERANCE UNLESS SPECIFIED IS ±0.05MM



DETAIL: D
SCALE 2:1



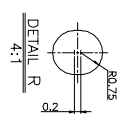
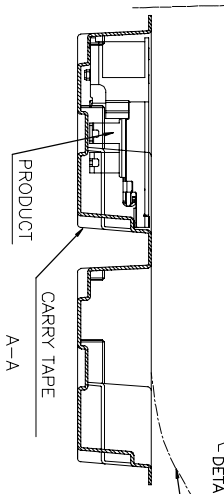
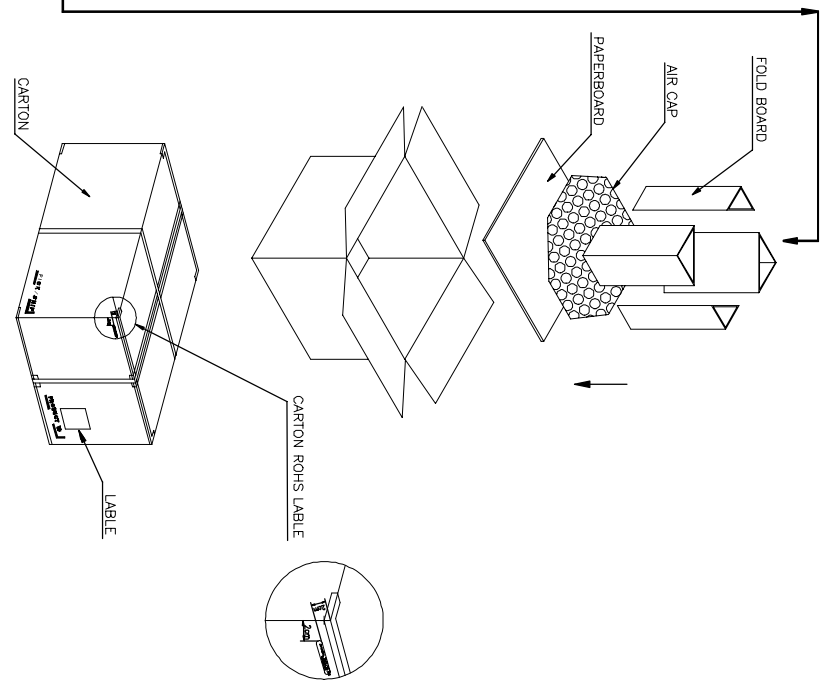
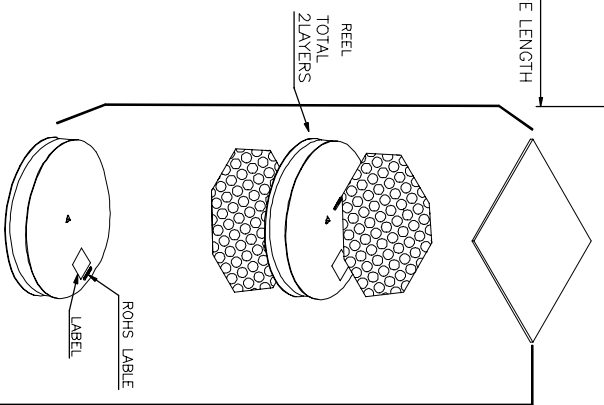
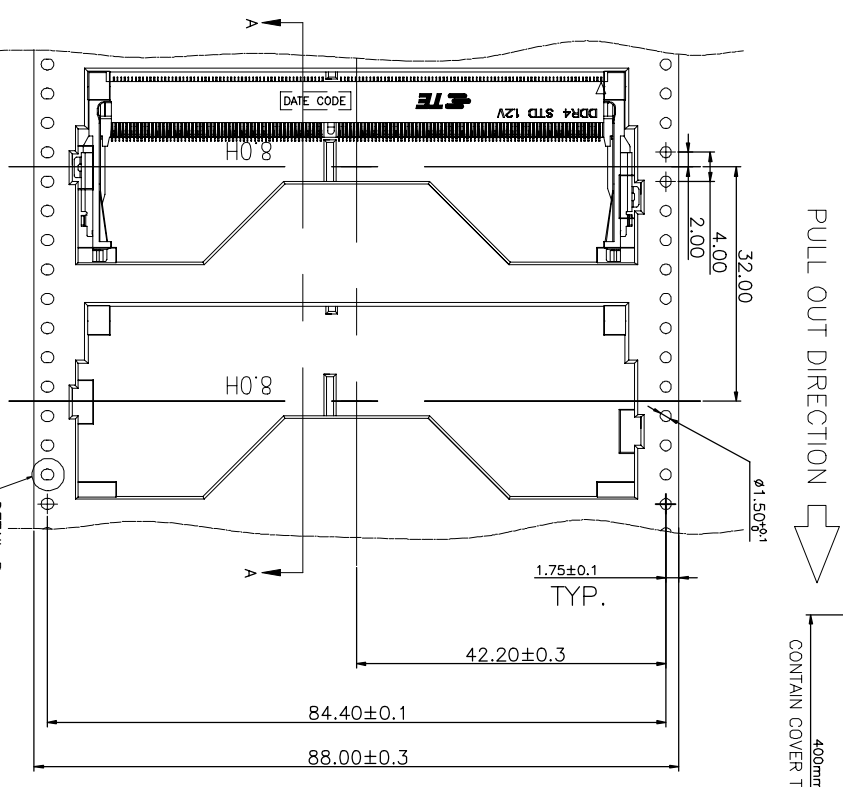
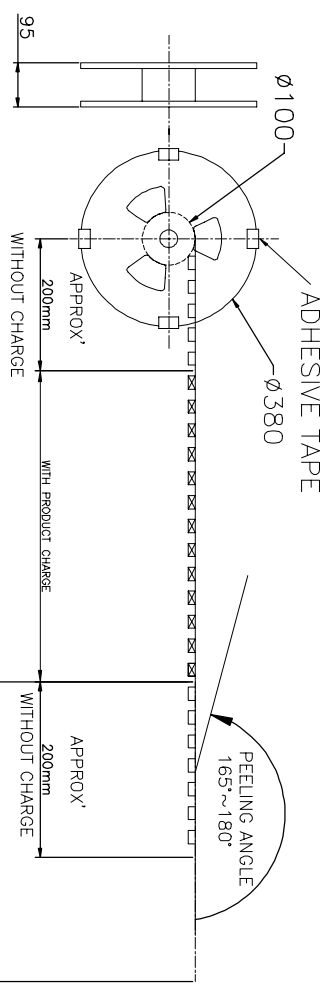
DETAIL: C
SCALE 2:1

THIS DRAWING IS A CONTROLLED DOCUMENT.		ENR: DAVID ZHAO	11MAR2021
DIMENSIONS: mm		CHK: RICHARD MA	11MAR2021
TOLERANCES UNLESS OTHERWISE SPECIFIED:		NAME: PERLON LI	
0 DEC	+	PRODUCT SPEC	
1 DEC	+	APPLICATION SPEC	
2 DEC	+	PROCESS	
3 DEC	+		
4 DEC	+		
5 DEC	+		
6 DEC	+		
7 DEC	+		
8 DEC	+		
9 DEC	+		
10 DEC	+		
MATERIAL		SIZE: A2	00779
CUSTOMER DRAWING		SCALE: 2:1	SHEET: 2 of 3
TE Connectivity		REV: 5	

A B C D

2309411

REVISIONS		DATE	QTY	APP'D
P	REV	DESCRIPTION		
-	-	-	-	-



THIS DRAWING IS A CONTROLLED DOCUMENT.

DATE	11MAR2021	NAME	DAVID ZHAO
CHK	11MAR2021	NAME	RICHARD MA

DIMENSIONS:	TOLERANCES UNLESS OTHERWISE SPECIFIED:
mm	0 R.C.
	1 R.C.
	2 R.C.
	4 R.C.
	ANGLES
	FRACTIONS

APPLICATION SPEC	SIZE	DATE CODE	DRAWING NO.
	A2	00779	2309411

CUSTOMER DRAWING

TE Connectivity

PCS/ REEL	2	PCS/ CARTON	500	PART NUMBER	*-2309411--*
-----------	---	-------------	-----	-------------	--------------

2309411