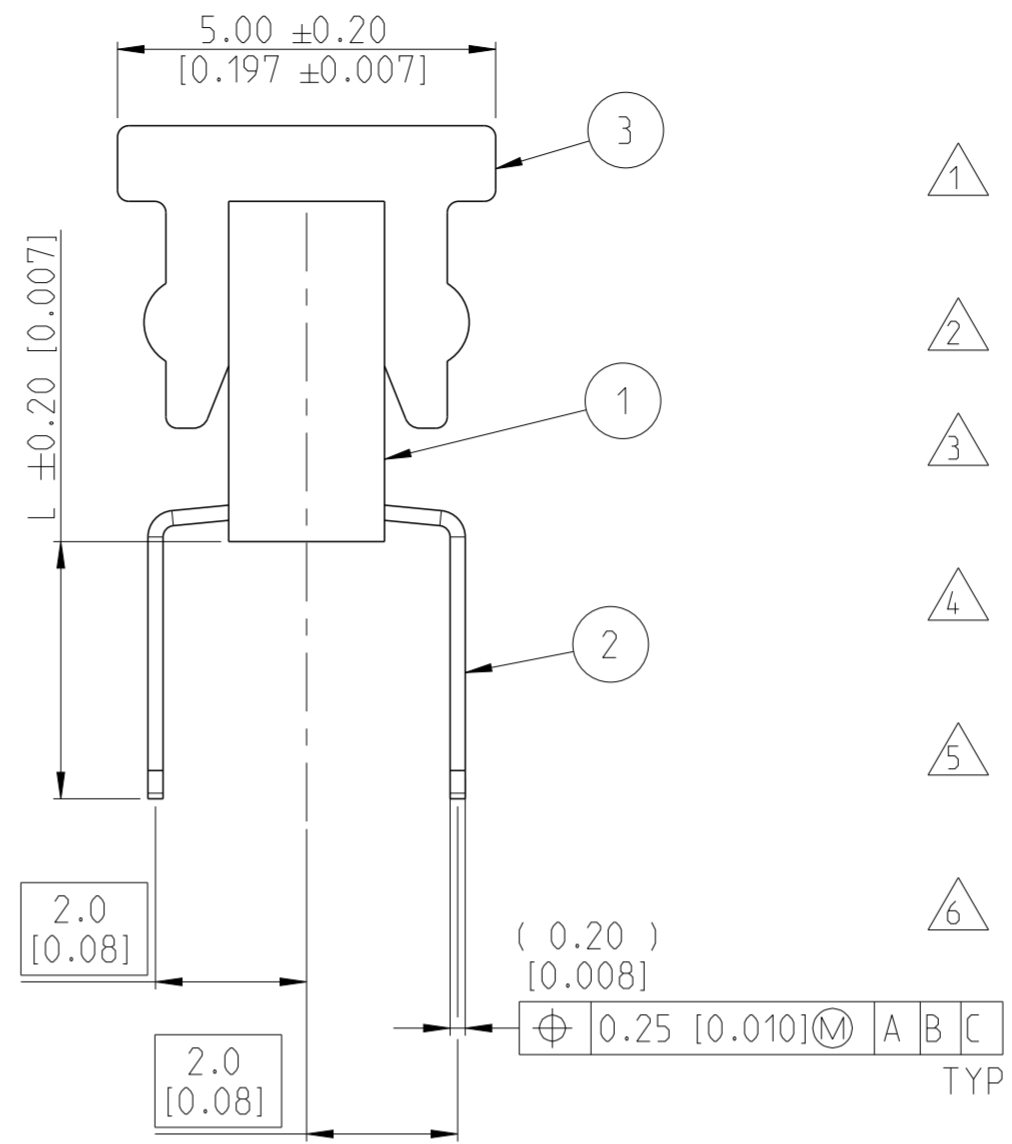
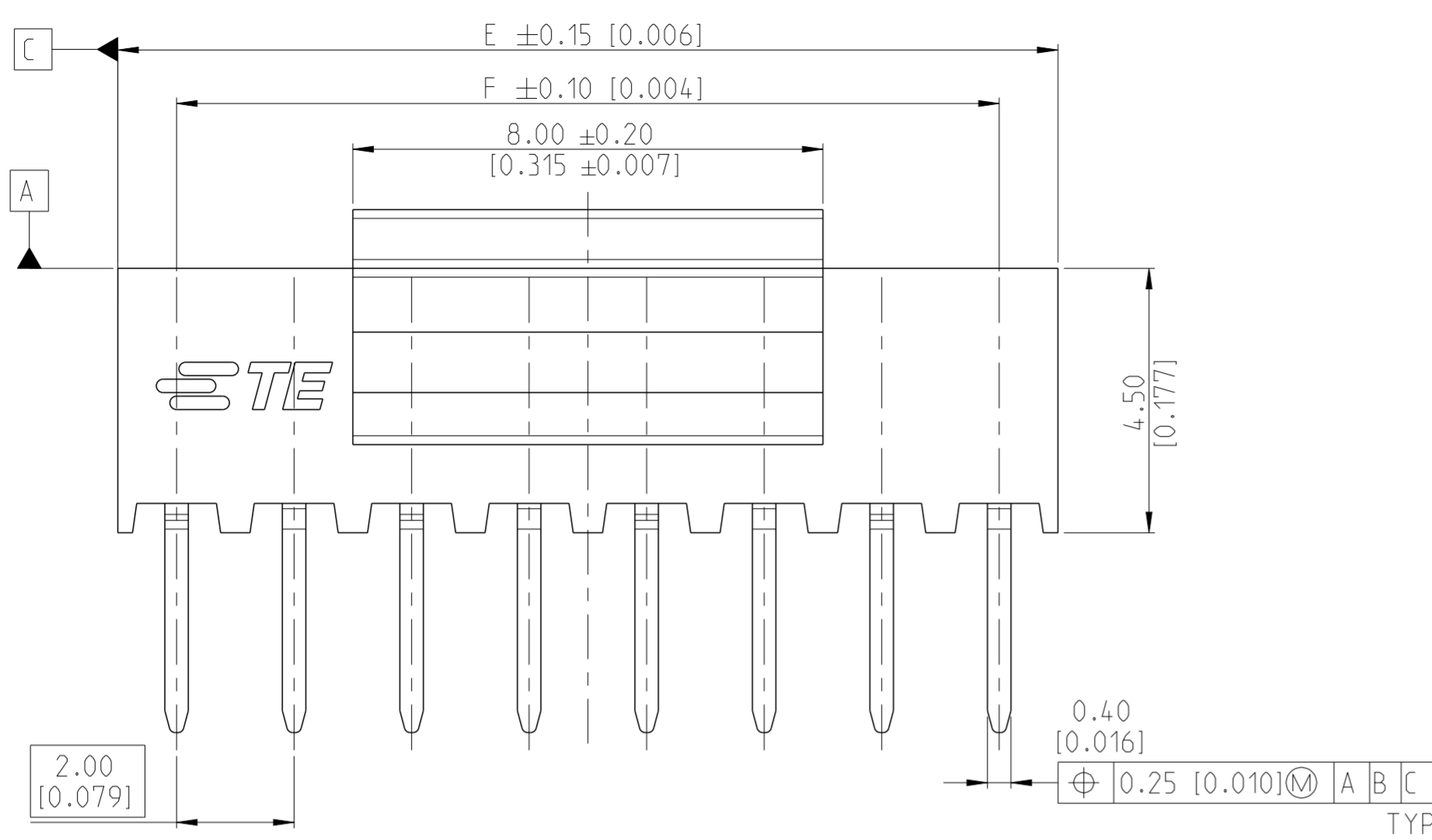


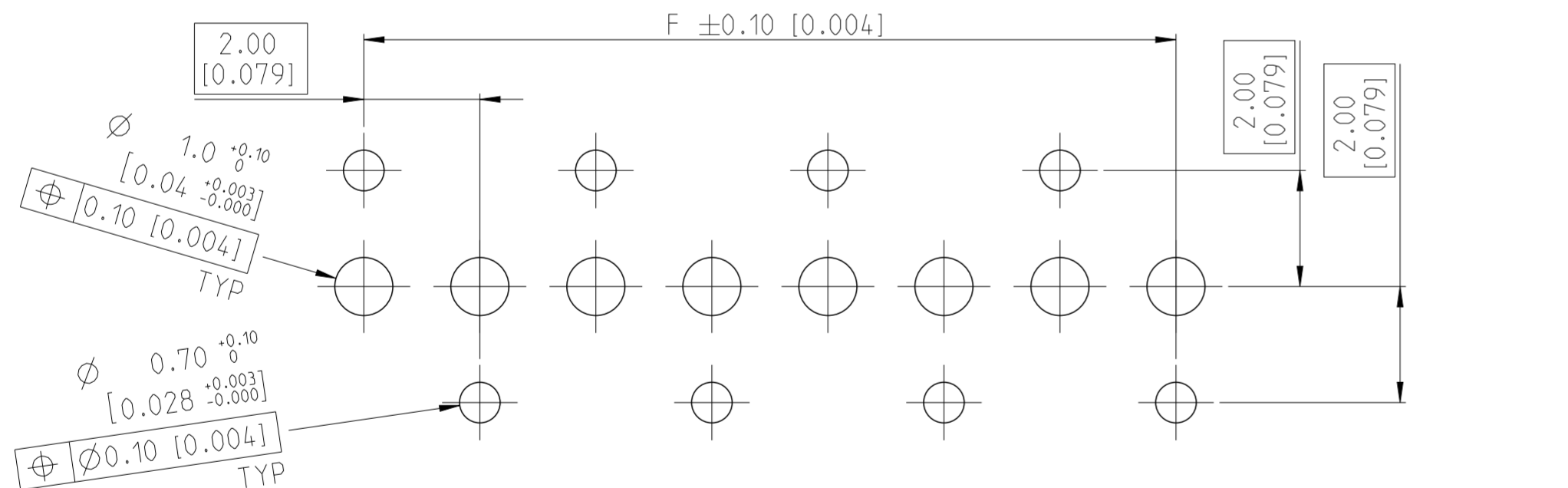
REVISIONS					
P	LTR	DESCRIPTION	DATE	DWN	APVD
A		RELEASE GOLD PLATED VERSIONS TO PRODUCTION	03SEP2019	AY	PS
A1		RELEASE TIN PLATED VERSIONS TO PRODUCTION	14APR2020	AY	PS
A2		REPLACE BASE NUMBER 2304902 WITH 2314902	10SEP2020	AY	PS
A3		SMART PART PN ADDED	19APR2022	SCB	PS

NOTES:

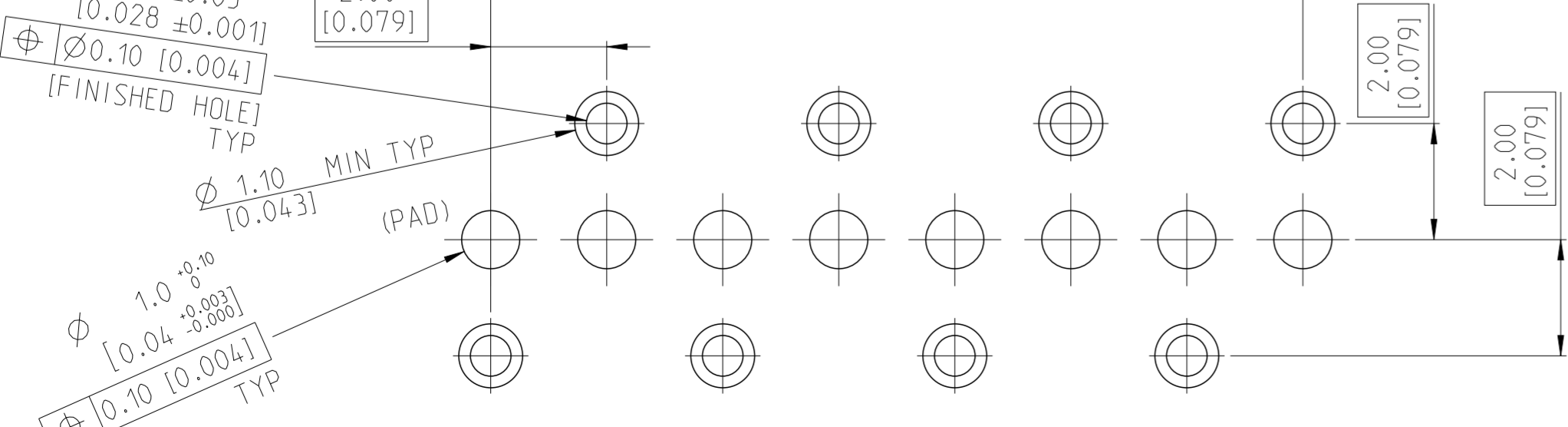
- 1 MATERIAL:  
HOUSING AND P&P CAP: LCP, UL94 V0, BLACK  
CONTACT: PHOSPHOR BRONZE, 0.20mm THICK.
- 2 ALL OVER 3-5µm (118.11-196.85 µ") TIN OVER  
MIN 1.27µm (50 µ") NICKEL UNDERPLATE
- 3 CONTACT AREA: MIN 0.1µm (3.94 µ") GOLD  
SOLDER TAIL: 3-5µm (118.11-196.85 µ") TIN  
UNDERPLATING: MIN 1.27µm (50 µ") NICKEL ALL OVER
- 4 CONTACT AREA: MIN 0.38µm (15 µ") GOLD  
SOLDER TAIL: 3-5µm (118.11-196.85 µ") TIN  
UNDERPLATING: MIN 1.27µm (50 µ") NICKEL ALL OVER
- 5 CONTACT AREA: MIN 0.76µm (30 µ") GOLD  
SOLDER TAIL: 3-5µm (118.11-196.85 µ") TIN  
UNDERPLATING: MIN 1.27µm (50 µ") NICKEL ALL OVER
- 6 N = NO. OF POSITIONS PER CONNECTOR.



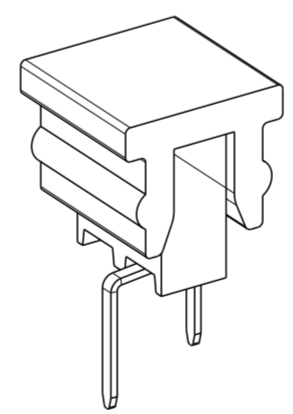
DESCRIPTION	ITEM
P&P CAP	3
CONTACT	2
HOUSING	1



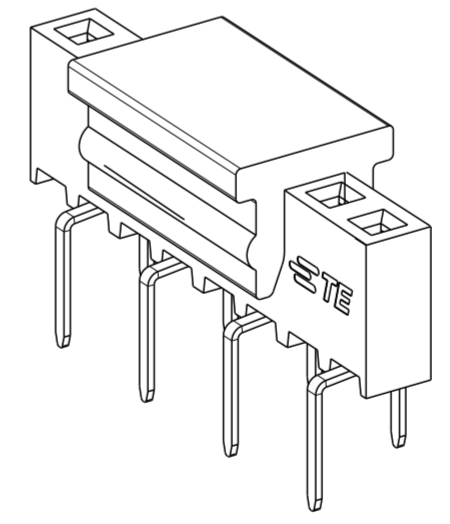
RECOMMENDED PCB HOLE PATTERN FOR THROUGH HOLE WAVE, BOTTOM ENTRY



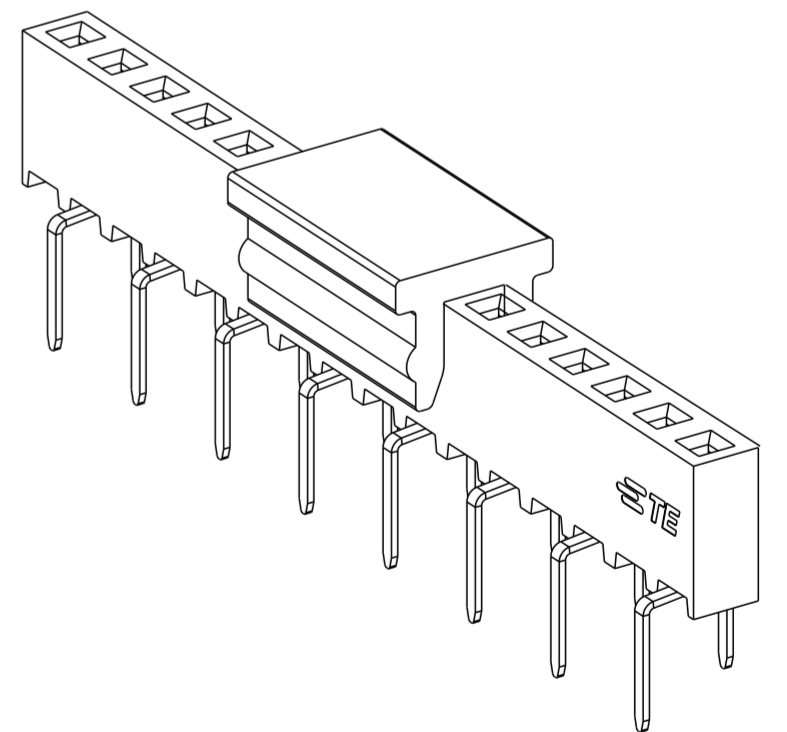
RECOMMENDED PCB HOLE PATTERN FOR THROUGH HOLE REFLOW / PIN-IN PASTE, BOTTOM ENTRY



2MM-R-S02-VTR-01-T-TRP



2MM-R-S08-VTR-01-T-TRP



2MM-R-S16-VTR-01-T-TRP

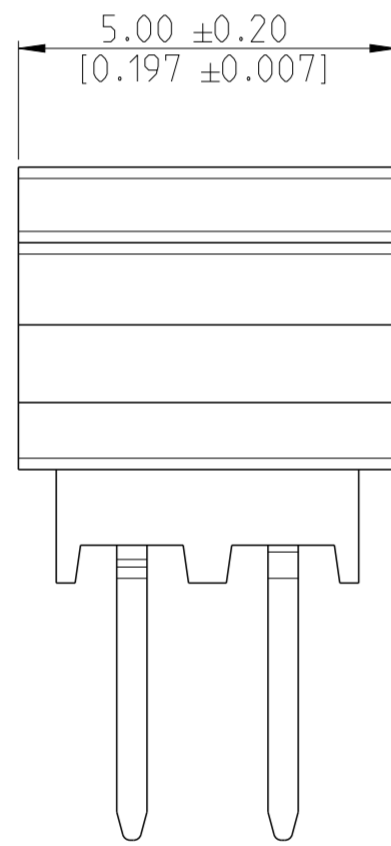
THIS DRAWING IS A CONTROLLED DOCUMENT.		DWN 21SEP2017 SOURAV DAS	TE Connectivity		
DIMENSIONS: mm [inch]		CHK 07DEC2018 SHARATH S			
TOLERANCES UNLESS OTHERWISE SPECIFIED: 0 PLC ± 1 PLC ±0.2 [0.008] 2 PLC ±0.1 [0.004] 3 PLC ± [0.004] 4 PLC ± ANGLES ±2°		APVD 07DEC2018 PRASHANTH S	NAME	AMPMODU 2mm, BiB RECEPTACLE, SINGLE ROW, VERTICAL, DUAL ENTRY OUTRIGGER, TH/THR	
MATERIAL SEE NOTES		PRODUCT SPEC 108-64040	SIZE	CAGE CODE	DRAWING NO
FINISH SEE NOTES		APPLICATION SPEC 114-32186	A2	00779	C-2307832
-		WEIGHT -	CUSTOMER DRAWING		RESTRICTED TO -
-		SCALE 10:1	SHEET 1 OF 3	REV A3	

REVISIONS

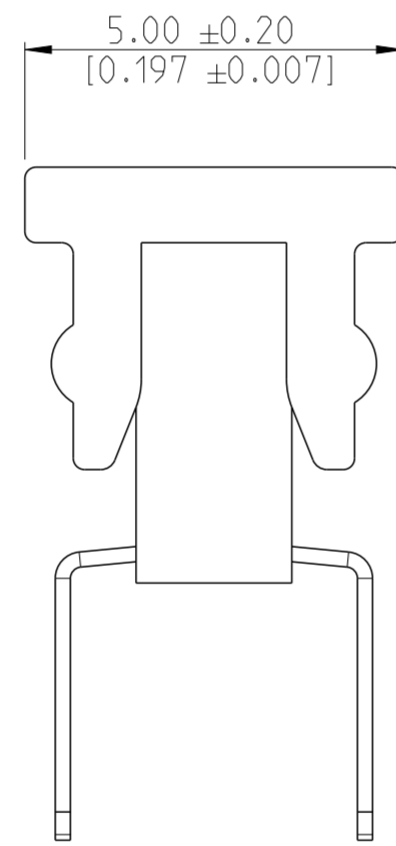
P	LTR	DESCRIPTION	DATE	DWN	APVD
-	-	SEE SHEET 1	-	-	-

MATING SIDE PLATING (FINISH)	"L" SOLDER TAIL LENGTH	BTB RECEPTACLE BASE NUMBERS		
		TAPE & REEL PKG W/ CAP	TUBE PKG W/ CAP	TUBE PKG W/O CAP
TIN 2	2.3[0.090]	2MM-R-S__-VTR-01-T-TRP	2MM-R-S__-VTR-01-T-TBP	A/R
	2.8[0.110]	2MM-R-S__-VTR-02-T-TRP	2MM-R-S__-VTR-02-T-TBP	2MM-R-S__-VTR-02-T-TB
	3.4[0.134]	A/R	A/R	2MM-R-S__-VTR-03-T-TB
GOLD FLASH 0.1µm 3	2.3[0.090]	2MM-R-S__-VTR-01-F-TRP	2MM-R-S__-VTR-01-F-TBP	A/R
	2.8[0.110]	2MM-R-S__-VTR-02-F-TRP	2MM-R-S__-VTR-02-F-TBP	2MM-R-S__-VTR-02-F-TB
	3.4[0.134]	A/R	A/R	2MM-R-S__-VTR-03-F-TB
GOLD 0.38µm 4	2.3[0.090]	2MM-R-S__-VTR-01-M-TRP	2MM-R-S__-VTR-01-M-TBP	A/R
	2.8[0.110]	2MM-R-S__-VTR-02-M-TRP	2MM-R-S__-VTR-02-M-TBP	2MM-R-S__-VTR-02-M-TB
	3.4[0.134]	A/R	A/R	2MM-R-S__-VTR-03-M-TB
GOLD 0.76µm 5	2.3[0.090]	2MM-R-S__-VTR-01-H-TRP	2MM-R-S__-VTR-01-H-TBP	A/R
	2.8[0.110]	2MM-R-S__-VTR-02-H-TRP	2MM-R-S__-VTR-02-H-TBP	2MM-R-S__-VTR-02-H-TB
	3.4[0.134]	A/R	A/R	2MM-R-S__-VTR-03-H-TB

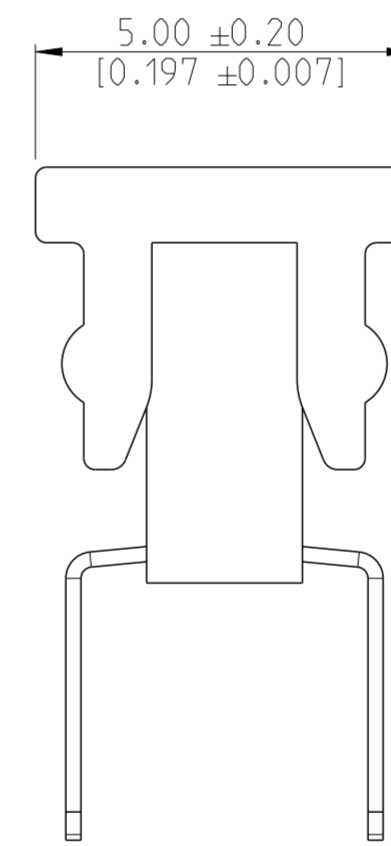
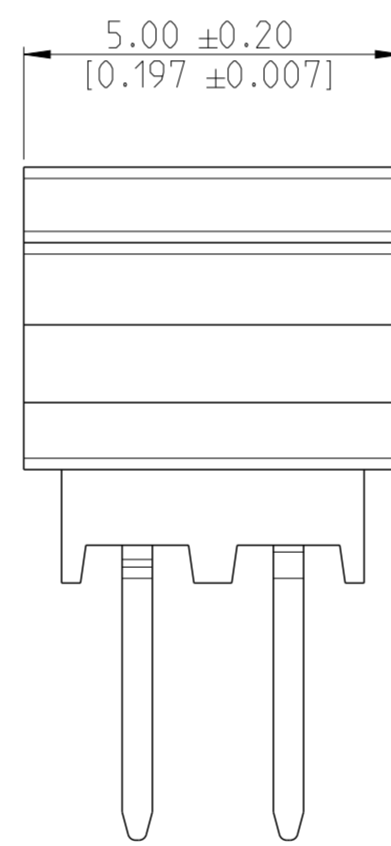
\* A/R- AVAILABLE ON REQUEST



2MM-R-S02-VTR-01-T-TRP



2MM-R-S03-VTR-01-T-TRP



48	50	25	2MM-R-S25-VTR-01-T-TRP	
46	48	24	2MM-R-S24-VTR-01-T-TRP	
44	46	23	2MM-R-S23-VTR-01-T-TRP	
42	44	22	2MM-R-S22-VTR-01-T-TRP	
40	42	21	2MM-R-S21-VTR-01-T-TRP	
38	40	20	2MM-R-S20-VTR-01-T-TRP	
36	38	19	2MM-R-S19-VTR-01-T-TRP	
34	36	18	2MM-R-S18-VTR-01-T-TRP	
32	34	17	2MM-R-S17-VTR-01-T-TRP	
30	32	16	2MM-R-S16-VTR-01-T-TRP	
28	30	15	2MM-R-S15-VTR-01-T-TRP	
26	28	14	2MM-R-S14-VTR-01-T-TRP	
24	26	13	2MM-R-S13-VTR-01-T-TRP	
22	24	12	2MM-R-S12-VTR-01-T-TRP	
20	22	11	2MM-R-S11-VTR-01-T-TRP	
18	20	10	2MM-R-S10-VTR-01-T-TRP	
16	18	9	2MM-R-S09-VTR-01-T-TRP	
14	16	8	2MM-R-S08-VTR-01-T-TRP	
12	14	7	2MM-R-S07-VTR-01-T-TRP	
10	12	6	2MM-R-S06-VTR-01-T-TRP	
8	10	5	2MM-R-S05-VTR-01-T-TRP	
6	8	4	2MM-R-S04-VTR-01-T-TRP	
4	6	3	2MM-R-S03-VTR-01-T-TRP	
2	4	2	2MM-R-S02-VTR-01-T-TRP	
DIM "F"		DIM "E"	N	SMART PN

THIS DRAWING IS A CONTROLLED DOCUMENT.

DWN: SOURAV DAS 21SEP2017  
CHK: SHARATH S 07DEC2018  
APVD: PRASHANTH S 07DEC2018

**STE** TE Connectivity

NAME: AMPMODU 2mm, BtB RECEPTACLE, SINGLE ROW, VERTICAL, DUAL ENTRY OUTRIGGER, TH/THR

PRODUCT SPEC: 108-64040  
APPLICATION SPEC: 114-32186

SIZE: A2 CAGE CODE: 00779 DRAWING NO: C-2307832 RESTRICTED TO: -

MATERIAL: SEE NOTES FINISH: SEE NOTES WEIGHT: -

CUSTOMER DRAWING SCALE: 10:1 SHEET: 2 OF 3 REV: A3

REVISIONS

P	LTR	DESCRIPTION	DATE	DWN	APVD
-	-	SEE SHEET 1	-	-	-

SMART PART NUMBER  
 2MM - R - S\_\_ - VTR - \_\_ - - - -

PRODUCT SERIES  
 2MM AMPMODU 2mm SERIES

GENDER / TYPE  
 R RECEPTACLE

NUMBER OF ROWS  
 S SINGLE ROW

NUMBER OF PINS PER ROW  
 XX 02 THROUGH 25  
 (ENTER TWO DIGITS)

PACKAGING

TB	TUBE WITHOUT CAP
TRP	TAPE AND REELING WITH CAP
TBP	TUBE WITH CAP

PLATING

T	TIN
F	GOLD FLASH
M	15 µm GOLD
H	30 µm GOLD


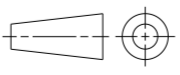
TAIL LENGTH

01	2.3 mm
02	2.8 mm
03	3.4 mm

ORIENTATION & TERMINATION  
 VTR VERTICAL THROUGH HOLE OUTRIGGER

SMART PN EXAMPLES:

- 2MM-R-S02-VTR-01-T-TRP :  
 AMPMODU 2mm, RECEPTACLE, SINGLE ROW, 02 POSITION PER ROW, VERTICAL THROUGH HOLE OUTRIGGER, 2.3 mm TAIL LENGTH, TIN PLATED, TAPE AND REEL WITH CAP PACKAGING
- 2MM-R-S25-VTR-01-T-TRP :  
 AMPMODU 2mm, RECEPTACLE, SINGLE ROW, 25 POSITION PER ROW, VERTICAL THROUGH HOLE OUTRIGGER, 2.3 mm TAIL LENGTH, TIN PLATED, TAPE AND REEL WITH CAP PACKAGING

THIS DRAWING IS A CONTROLLED DOCUMENT.		DWN SOURAV DAS 21SEP2017	 TE Connectivity	
DIMENSIONS: mm [inch]		CHK SHARATH S 07DEC2018		
		APVD PRASHANTH S 07DEC2018	NAME AMPMODU 2mm, BtB RECEPTACLE, SINGLE ROW, VERTICAL, DUAL ENTRY OUTRIGGER, TH/THR	
TOLERANCES UNLESS OTHERWISE SPECIFIED:		PRODUCT SPEC 108-64040	RESTRICTED TO	
0 PLC ±		APPLICATION SPEC 114-32186	SIZE A2	CAGE CODE 00779
1 PLC ±0.2		WEIGHT -	DRAWING NO C-2307832	
2 PLC ±0.1 [0.008]		CUSTOMER DRAWING	SCALE 10:1	SHEET 3 OF 3
3 PLC ± [0.004]				REV A3
4 PLC ±				
ANGLES ±2°				
FINISH SEE NOTES				