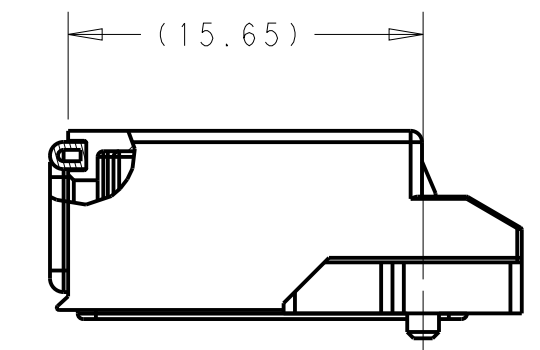
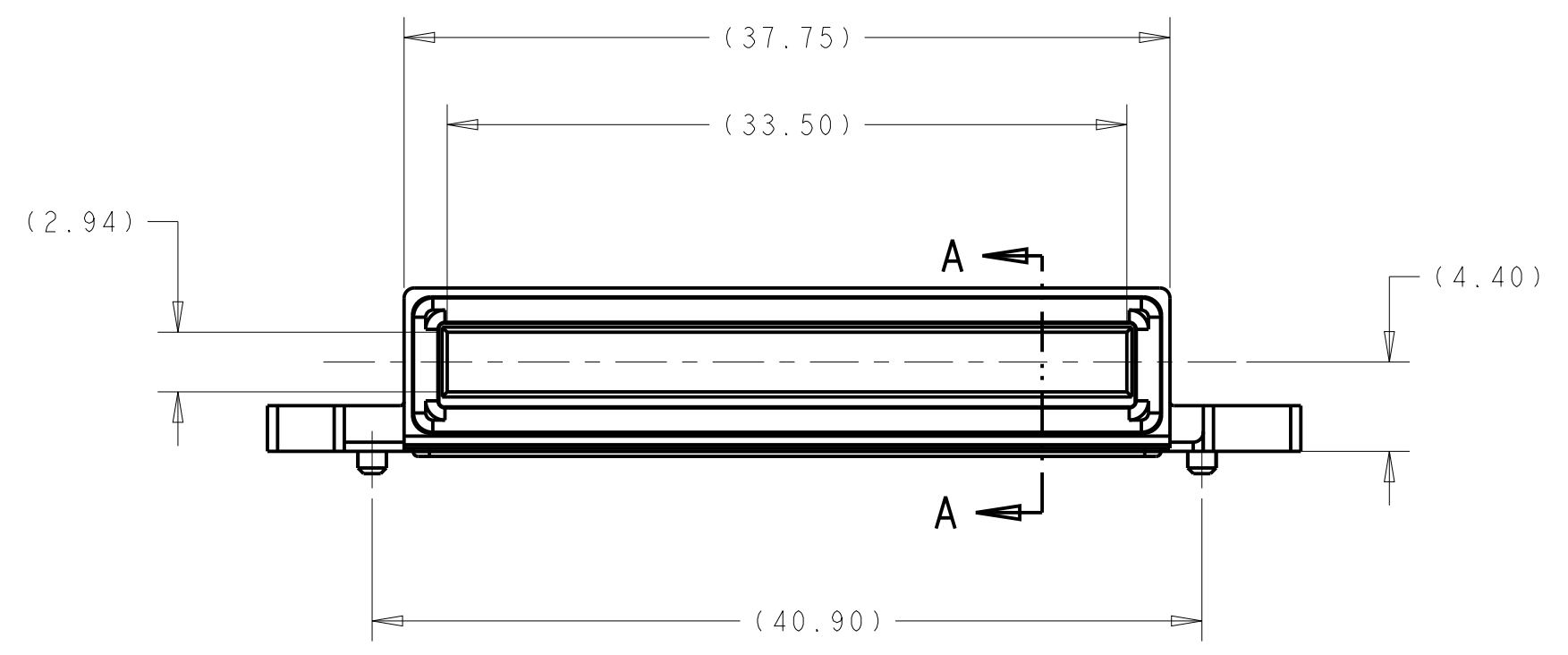
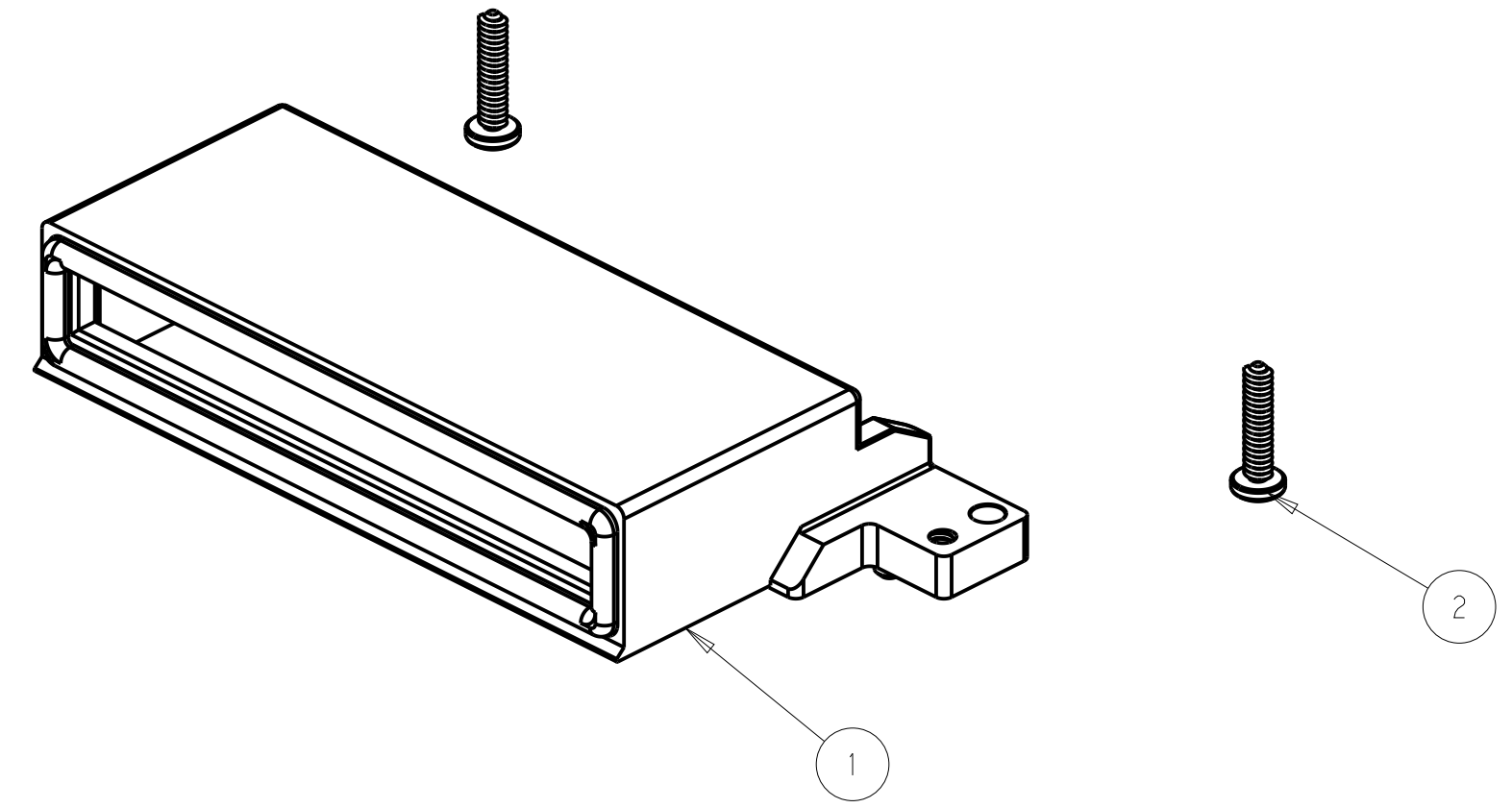
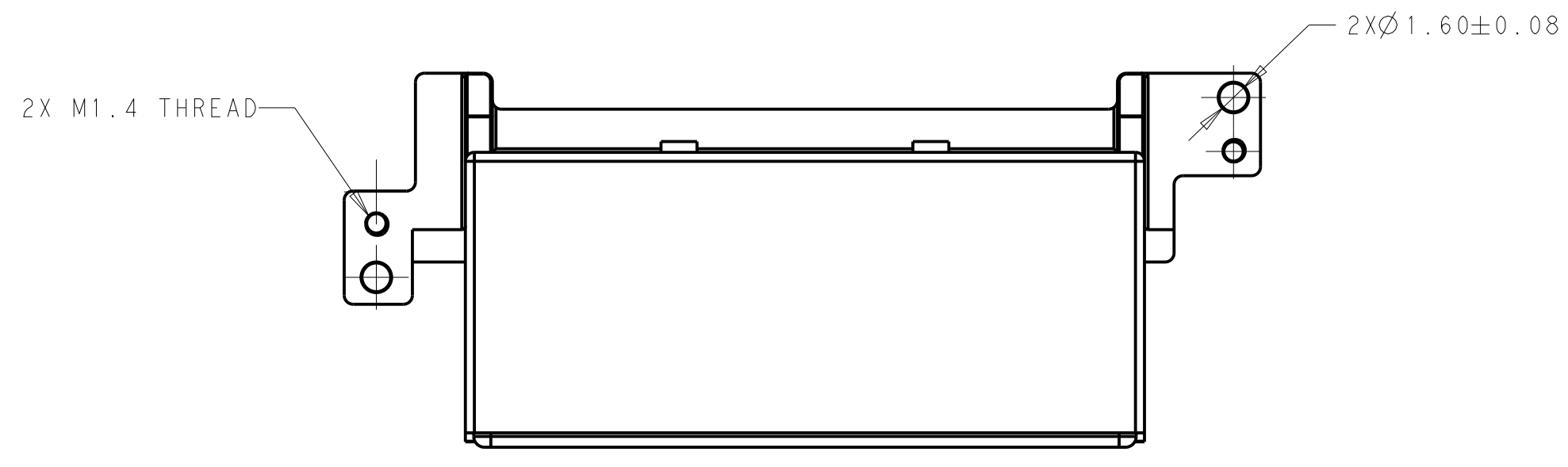


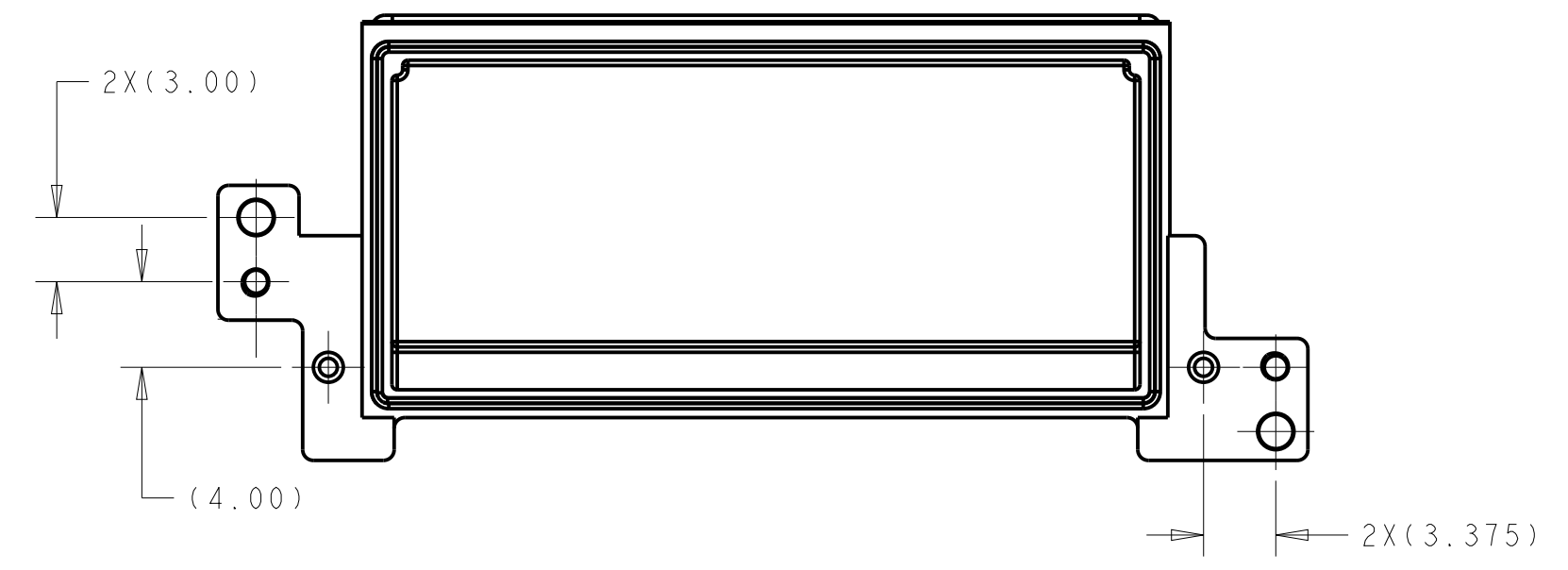
THIS DRAWING IS UNPUBLISHED. RELEASED FOR PUBLICATION 20
 © COPYRIGHT 20 BY - ALL RIGHTS RESERVED.

| REVISIONS | | | | |
|-----------|-----|--|-----------|-------|
| P | LTR | DESCRIPTION | DATE | APVD |
| A | | INITIAL RELEASE | 06JUN2018 | AD SH |
| B | | CHANGED GASKET AND DIE-CAST STRUCTURES | 16MAR2021 | AJ SZ |
| | | | | |



SECTION A - A

- 1.MATERIAL: RECEPTACLE COVER-ZINC ALLOY
GASKET-SILICON
SCREW-STAINLESS STEEL
- 2.PLATING: RECEPTACLE COVER-1.27um NICKEL OVER COPPER PLATING
- 3.MATE WIHT MSA COMPLIANT TRANSCEIVER
- 4.PACKAGED AS SEPARATED KITS IN ONE BOX



| QTY | PART NUMBER | DESCRIPTION | ITEM |
|-----|-------------|-------------------|------|
| 2 | 2292789-1 | M1.4X6 SCREW | 2 |
| 1 | 2274846-1 | COVER WIHT GASKET | 1 |
| -1 | PART NUMBER | DESCRIPTION | ITEM |

| | | | | |
|--|--|-------------------------------|---|--|
| THIS DRAWING IS A CONTROLLED DOCUMENT. | | DWN ANDY.CIF 30MAY2016 | TE Connectivity | |
| DIMENSIONS: mm | | CHK SEAN.HAN 30MAY2016 | | |
| TOLERANCES UNLESS OTHERWISE SPECIFIED: | | APVD SEAN.HAN 30MAY2016 | NAME RECEPTACLE COVER WITH SCREW CFP2 1X1 | |
| 0 PLC ± | | PRODUCT SPEC | SIZE A2 | |
| 1 PLC ±0.25 | | APPLICATION SPEC | CAGE CODE - | |
| 2 PLC ±0.15 | | WEIGHT | DRAWING NO G-2304452 | |
| 3 PLC ±0.10 | | CUSTOMER DRAWING | RESTRICTED TO - | |
| 4 PLC ± | | SCALE 2:1 | SHEET 1 OF 1 | |
| ANGLES ± | | REV B | | |
| FINISH | | | | |