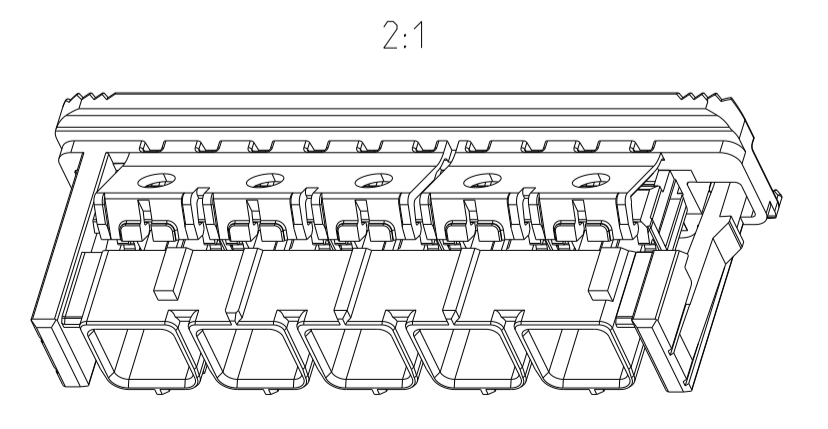
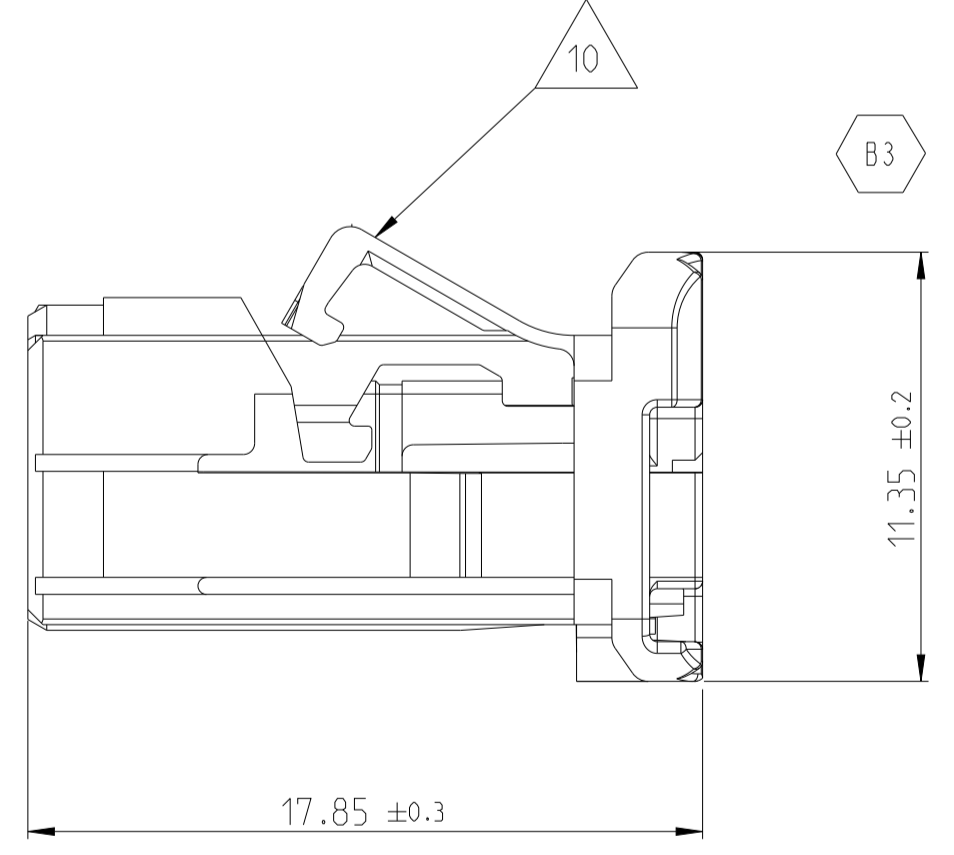
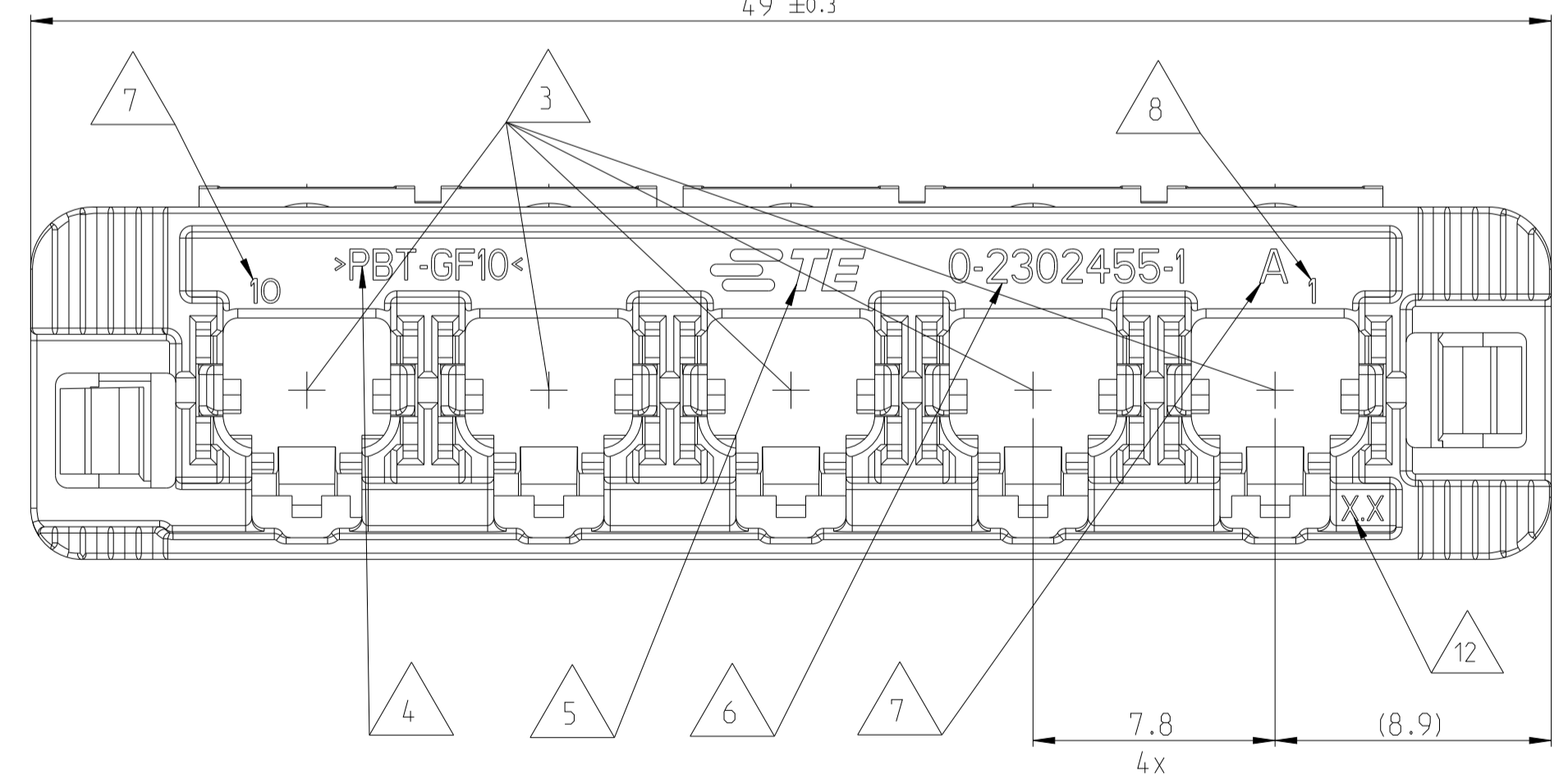
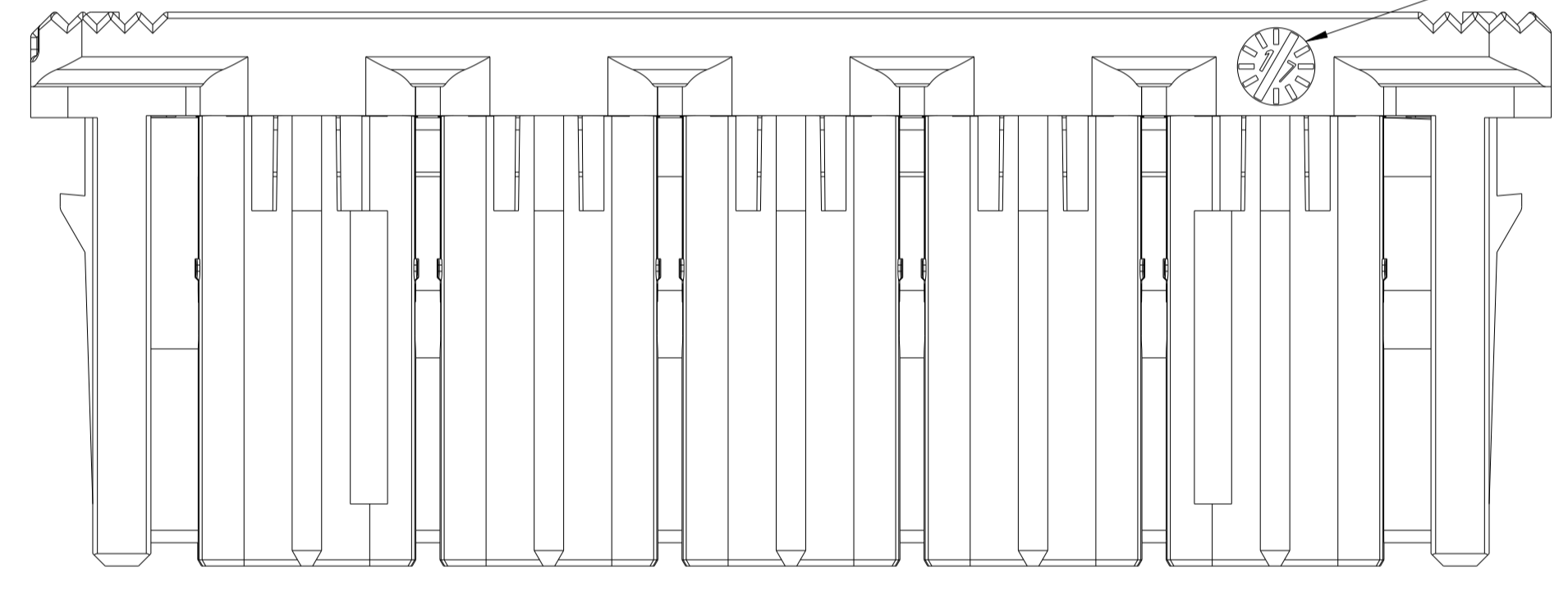
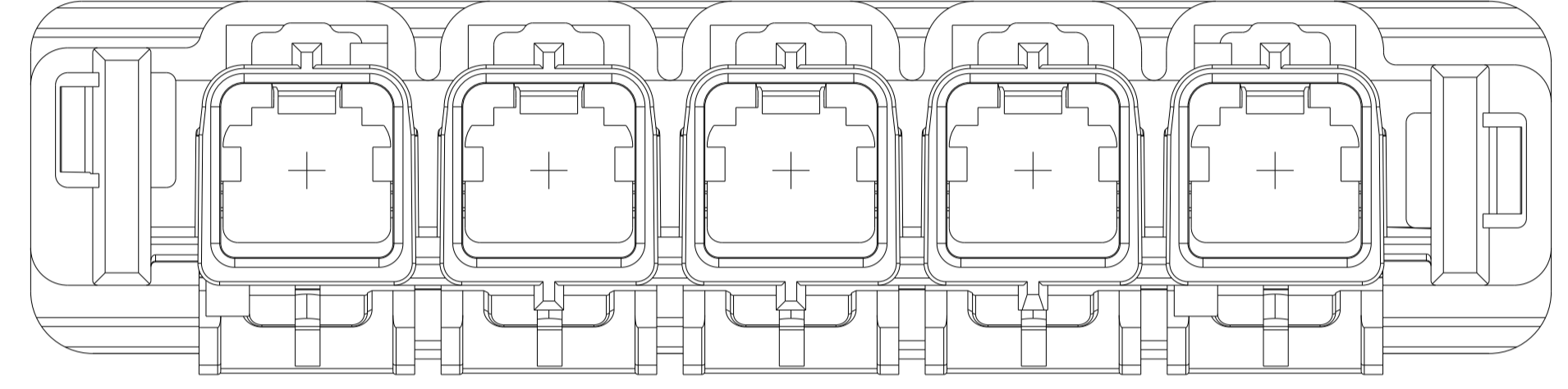
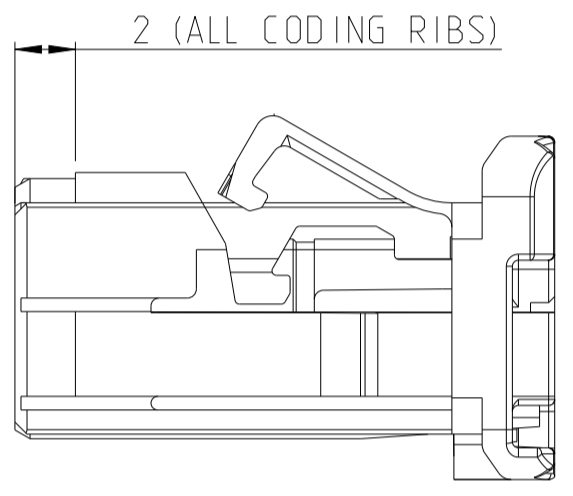
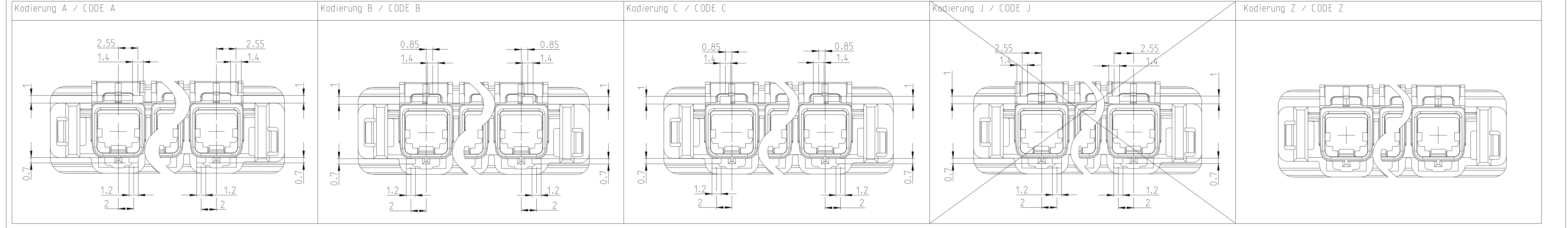
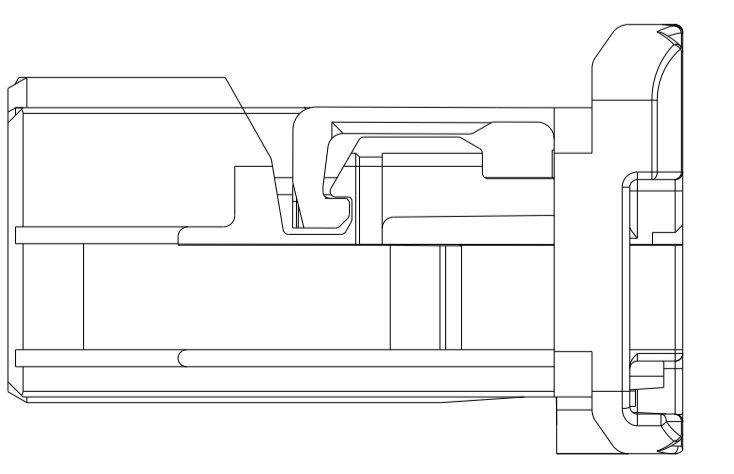


PROJEKT NR.:		REVISIONS ÄNDERUNGEN			
P	LTN	DESCRIPTION BESCHREIBUNG	DATE	DWN	APVD
B	E-16-016822	(STP-Contact-Spring Pockets added)	28NOV2016	KIJ	AK
B1	E-17-012393	(added serial parts)	25AUG2017	RW	AK
B2	omitted		-	-	-
B3	PCN-23-188540	(obsolete B-Samples)	03JAN2024	RW	AK



- Notizen / NOTES:
- 0-2302455-1, Kodierung A wie dargestellt
0-2302455-1, CODING A AS SHOWN
 - Passend zu Stiftwanne nach TE-Schnittstellenzeichnung 208-18010
MATING TO PINHEADER ACC. TE-INTERFACE DRAWING 208-18010
 - Kammer fuer MATenet 2Pos. NanoMQS female Insert module TE-PN 0-2302450-X
CAVITY FOR MATenet 2Pos. NanoMQS FEMALE INSERT MODULE TE-PN 0-2302450-X
 - Materialkennzeichnung
MATERIAL MARKING
 - TE-Logo
TE-LOGO
 - TE-Teile Nummer
TE-PART NUMBER
 - Revisionsstand
PART REVISION
 - Kontaktkammernummern
CONTACT CAVITY NUMBERS
 - Produktionsdatum
PRODUCTION DATE
 - Anlieferzustand: 2. Kontaktsicherung geoeffnet
DELIVERY CONDITION: RETAINER IN OPEN POSITION
 - Verpackung: Schuetffgut im Beutel im Karton
PACKAGING: LOOSE PIECES IN BAG IN BOX
 - Werkzeug Markierung, X.X ↔ [Werkzeugnummer].[Nest-Nummer]
TOOL Marking, X.X ↔ [TOOL-No]. [CAVITY- No]

SHOWN IN END-LOCKED POSITION
 Darstellung in Endraststellung



CODE	PART No.	Rev.	DESCRIPTION	MATERIAL	WEIGHT [g]	COLOUR similar RAL
Z	0-2302455-9	A	5-Port MATenet Frame, CODE Z	PBT-GF10 0% regrind	3.4	water-blue 5021
J	0-2302455-7	A	5-Port MATenet Frame, CODE J		3.4	Beige 1901
C	0-2302455-3	A	5-Port MATenet Frame, CODE C		3.4	blue 5012
B	0-2302455-2	A	5-Port MATenet Frame, CODE B		3.4	white 9010
A	0-2302455-1	A	5-Port MATenet Frame, CODE A		3.4	Black 9005

THIS DRAWING IS A CONTROLLED DOCUMENT.

DIMENSIONS: MASSENHEITEN: mm

TOLERANCES UNLESS OTHERWISE SPECIFIED: ALLGEMEINTOLERANZEN

0 PLC	±0.2
1 PLC	±0.1
2 PLC	±0.1
3 PLC	±0.1
4 PLC	±0.1
ANGLES/UNBEL	±0.1°
FINISH/SCHLEIFLÄCHE/FARBE	see table

MATERIAL: see table

WEIGHT GEWICHT: see table

CUSTOMER DRAWING

DWN: J. KIESSWEITER 16AUG2016
 CHK: R. WUERKER 16AUG2016
 APVD: A. KETTLER 29AUG2016

NAME: 5-Port MATenet Frame
 5-PORT MATenet FRAME

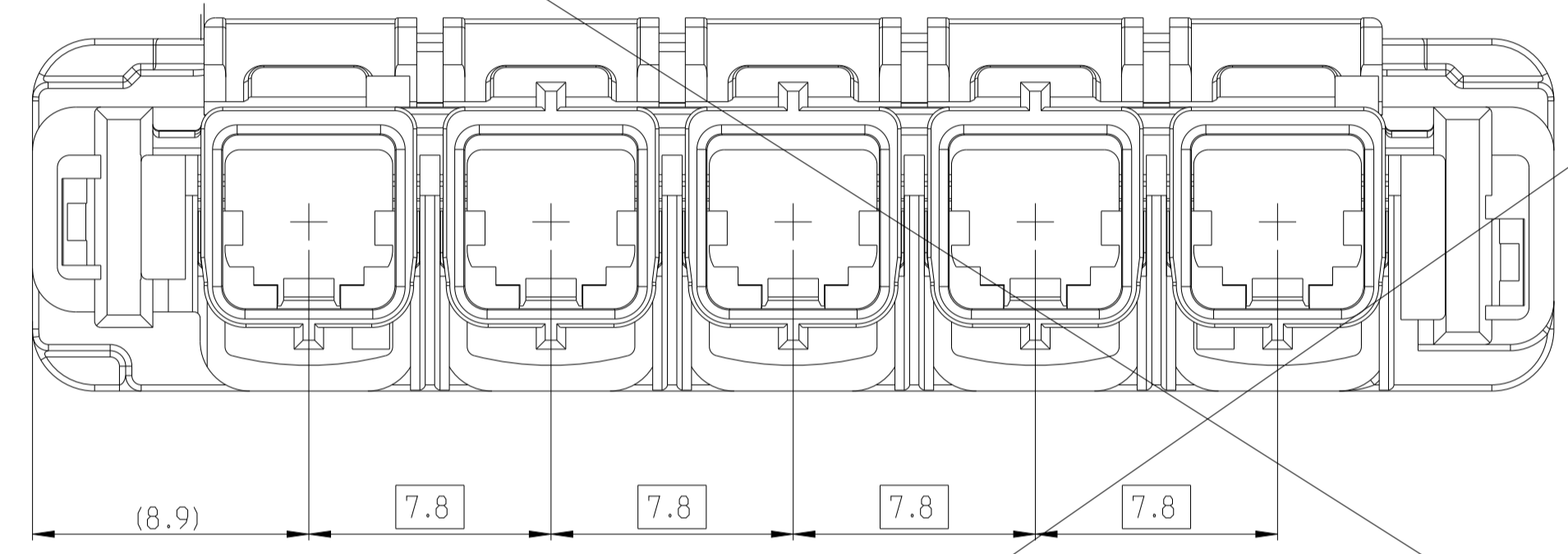
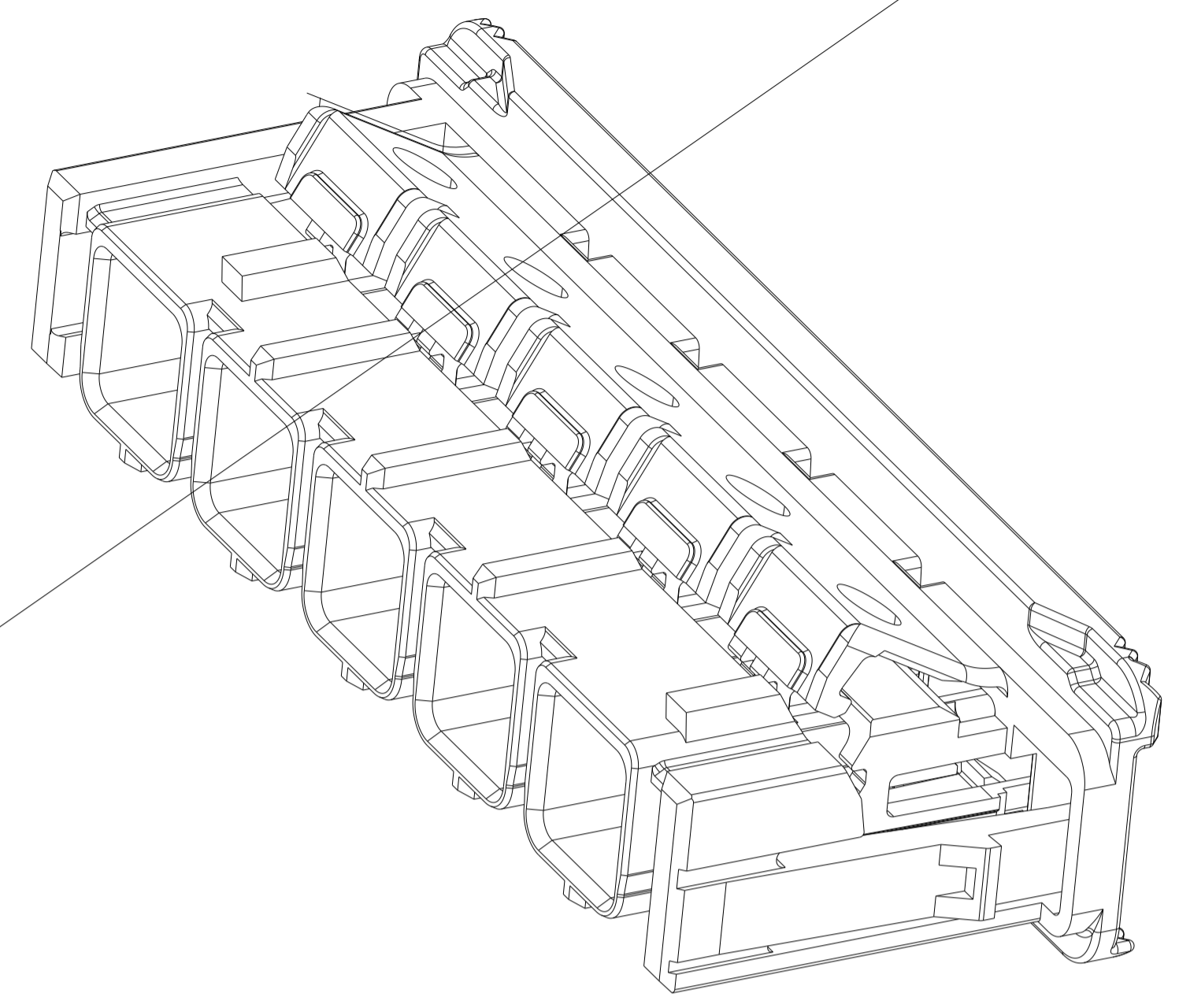
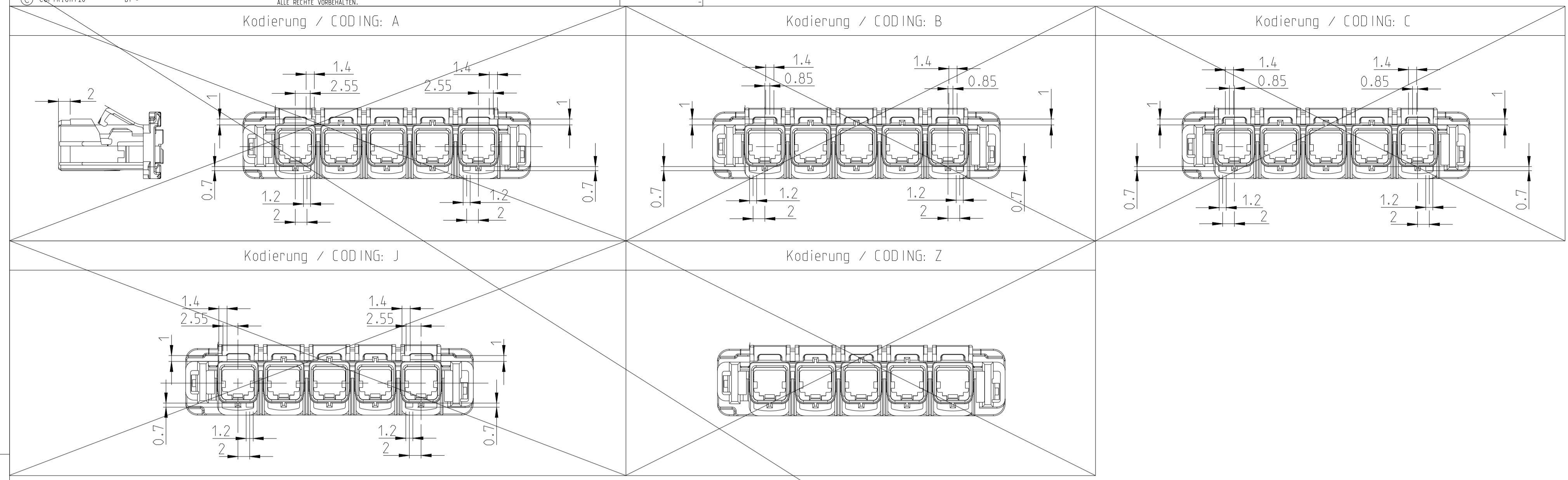
PRODUCT SPEC: 108-94568
 APPLICATION SPEC: 114-94431

SIZE: A1
 CAGE CODE: 00779
 DRAWING NO: 2302455

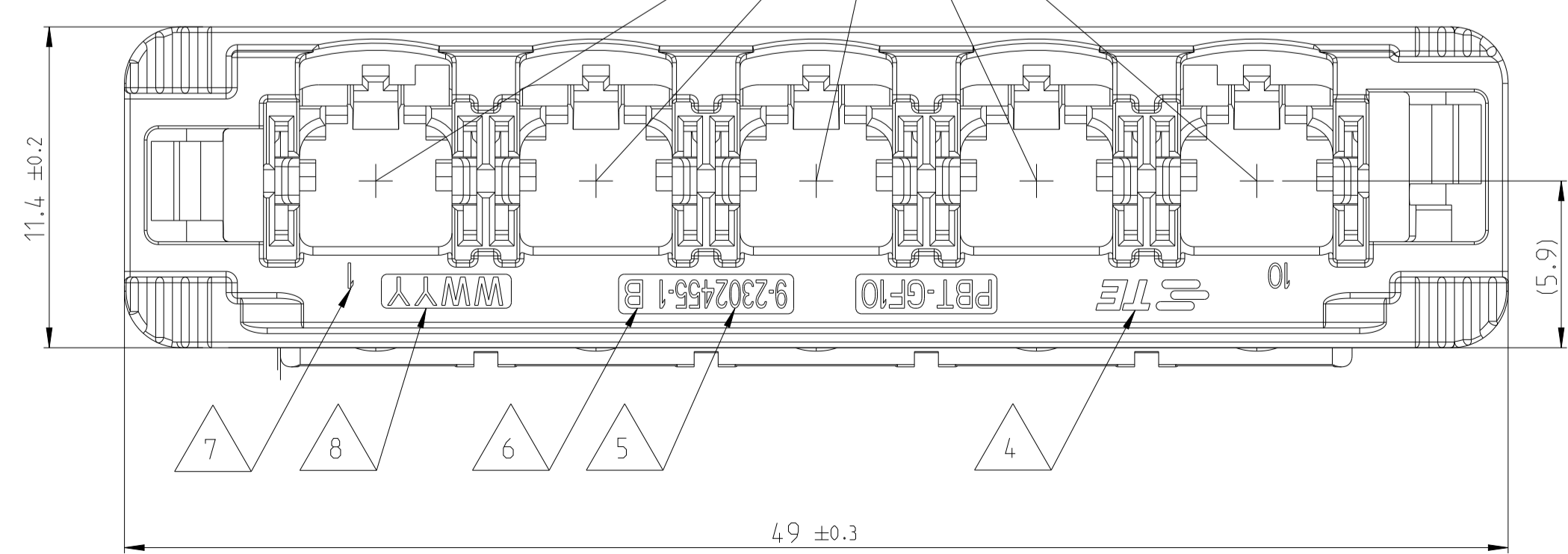
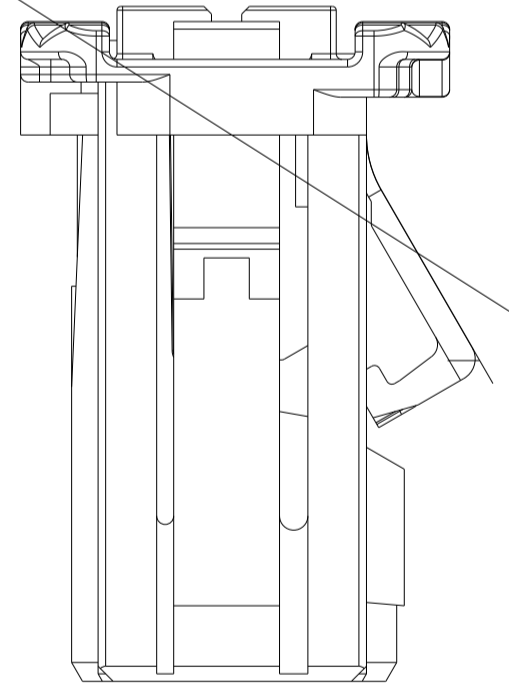
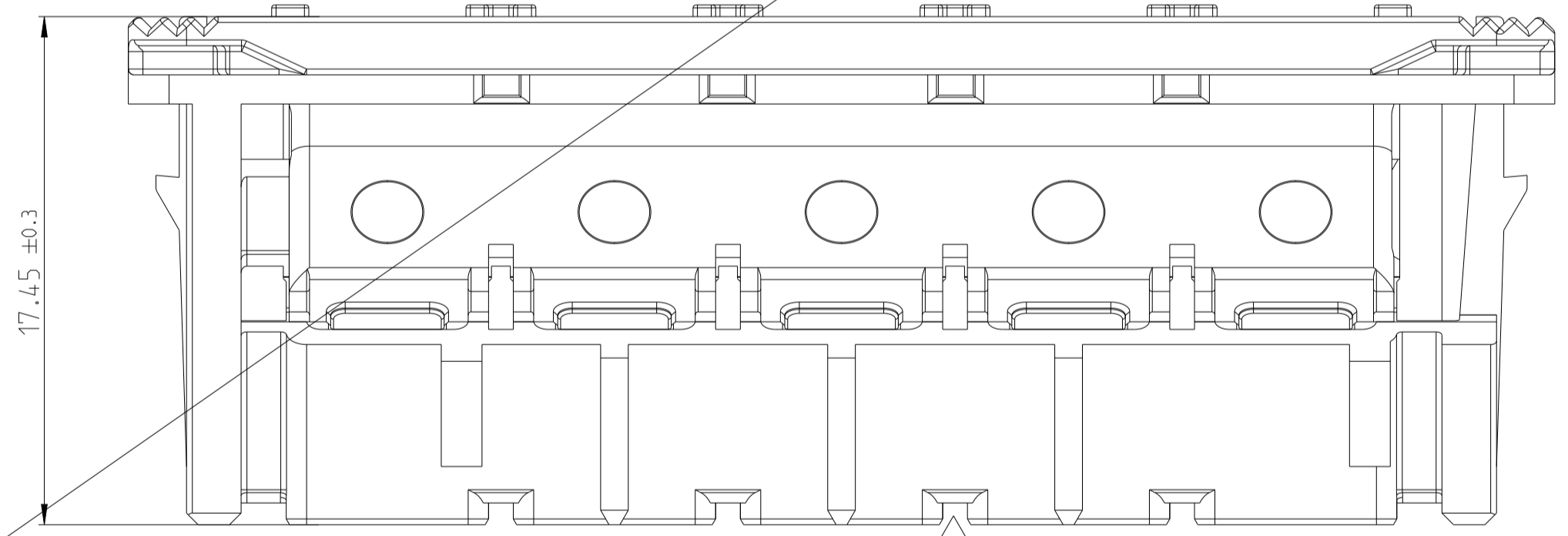
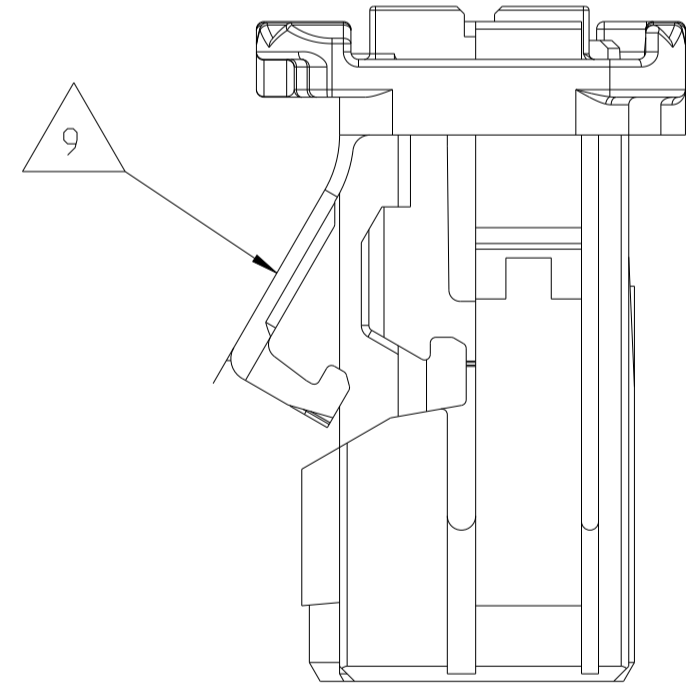
RESTRICTED TO NUR FÜR: B3

SCALE: MASSSTAB 5:1
 SHEET: 1 OF 2
 REV: B3

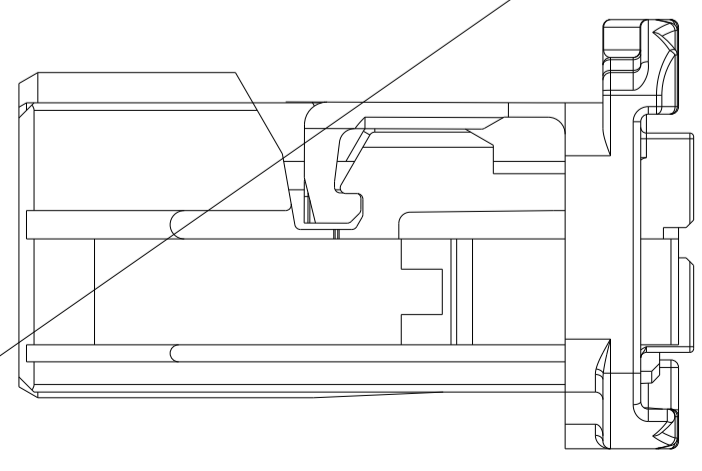
PROJEKT NR.:		REVISIONS		
P	LTN	ÄNDERUNGEN	DATE	DNM
		BESCHREIBUNG		APV/D
-	SEE SHEET 1		-	-



- Notizen / NOTES:
- 9-2302455-1, Kodierung A wie dargestellt
9-2302455-1, CODING A AS SHOWN
 - Passend zu Stiftwanne nach TE-Schnittstellenzeichnung 208-18010
MATING TO PINHEADER ACC. TE-INTERFACE DRAWING 208-18010
 - Kammer fuer MATeNet 2Pos. NanoMQS female Insert module TE-PN 9-2302450-X
CAVITY FOR MATeNet 2Pos. NanoMQS FEMALE INSERT MODULE TE-PN 9-2302450-X
 - TE-Logo
TE-LOGO
 - TE-Teile Nummer
TE-PART NUMBER
 - Revisionsstand
PART REVISION
 - Kontaktkammernummern
CONTACT CAVITY NUMBERS
 - Produktionsdatum
PRODUCTION DATE
 - Anlieferzustand: 2. Kontaktsicherung geöffnet
DELIVERY CONDITION: RETAINER IN OPEN POSITION
 - Verpackung: Schuettgut im Beutel im Karton
PACKAGING: LOOSE PIECES IN BAG IN BOX



2. Kontaktsicherung geschlossen
 RETAINER CLOSED



B-MUSTER PROTOTYPE B-SAMPLES

CODE	PART No.	Rev.	DESCRIPTION	MATERIAL	WEIGHT [g]	COLOR similar RA
Z	9-2302455-9	B	5-Port MATeNet Frame, CODE Z	PBT-GF10 0% regrind	3.0	water-blue 5021
J	9-2302455-7	B	5-Port MATeNet Frame, CODE J		3.1	Beige 1001
C	9-2302455-3	B	5-Port MATeNet Frame, CODE C		3.1	blue 5042
B	9-2302455-2	B	5-Port MATeNet Frame, CODE B		3.1	white 9010
A	9-2302455-1	B	5-Port MATeNet Frame, CODE A		3.1	black 9005

SUPERCEDED BY:
 0-2302455-x

THIS DRAWING IS A CONTROLLED DOCUMENT.

DMN: J. KIESSWEITER 16AUG2016
 CHK: R. WUERKER 16AUG2016
 APV/D: A. KETTLER 29AUG2016

TE Connectivity

NAME: 5-Port MATeNet Frame
 5-PORT MATeNet FRAME

PRODUCT SPEC: 108-94568
 APPLICATION SPEC: 114-94431

SIZE: A1 CAGE CODE: 00779 DRAWING NO: 0-2302455
 SCALE: 1:1 SHEET: 2 OF 2 REV: B3