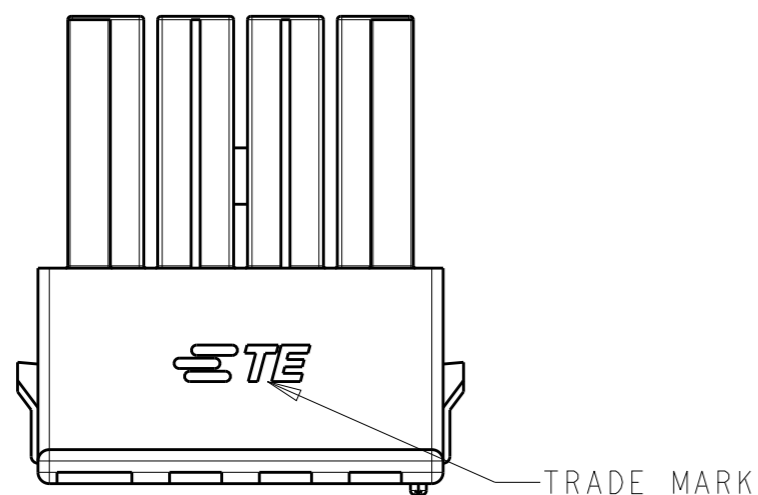
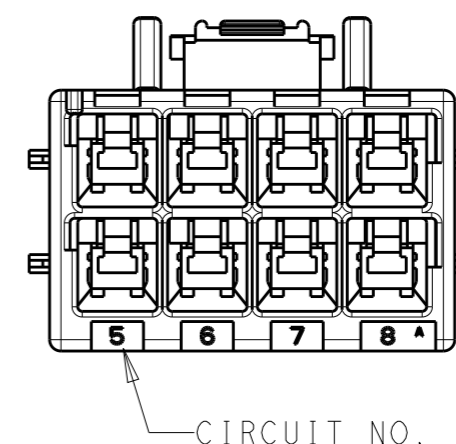
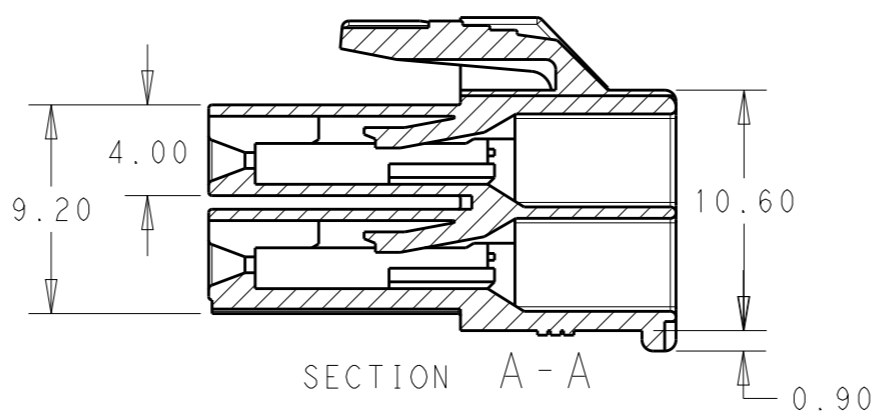
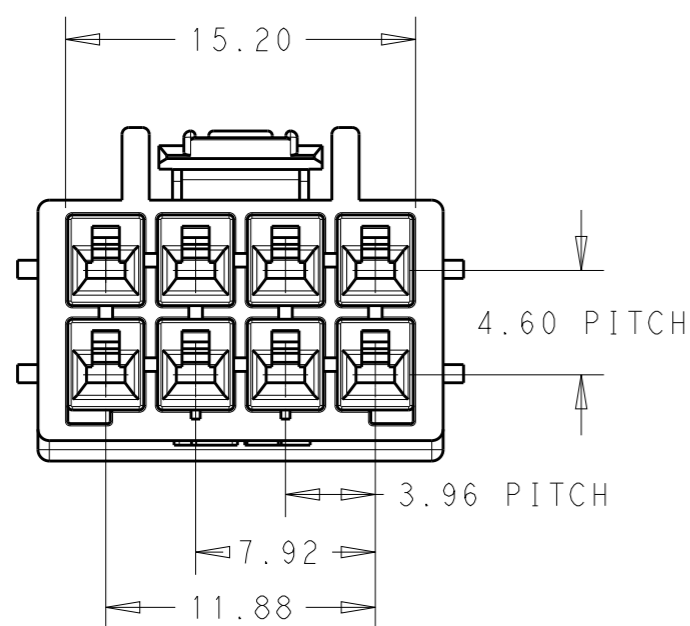
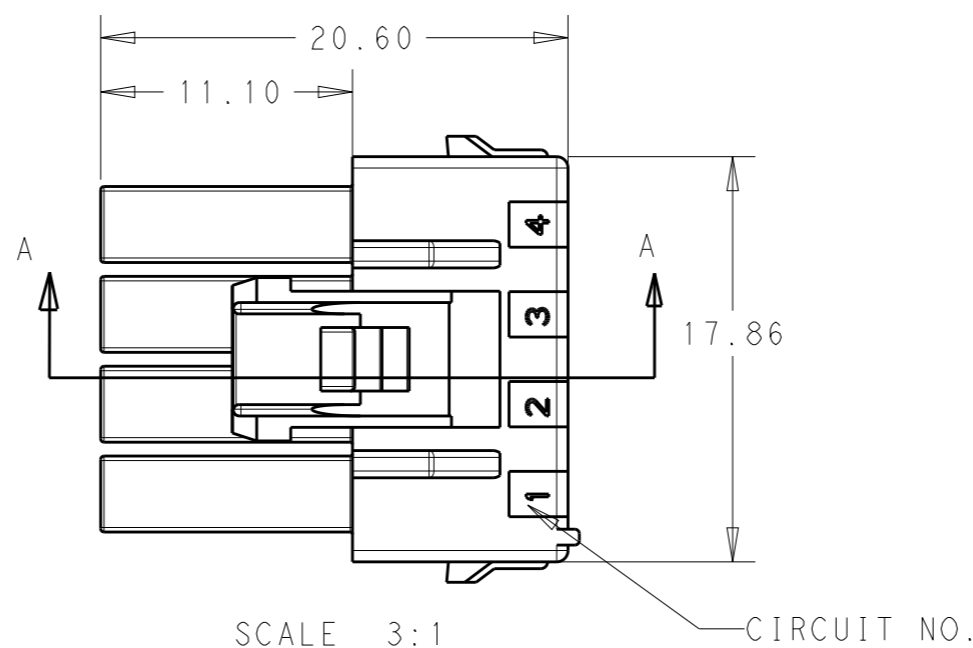


P	LTR	DESCRIPTION	DATE	DWN	APVD
	A	FIRST RELEASE	6SEP17	N.L	D.Z

- 1 APPLICABLE CONTACT P/N
-REC CONTACT: 177915-□ (AWG#16-#20)
: 2232901-1 (AWG#16-#20)
: 177914-□ (AWG#22-#26)
: 2232902-1 (AWG#22-#26)
- 2 MATING CONN. P/N
-CAP HSG: 179467-□ (FREE HANGING)
-TAB CONTACT: 177917-□ (AWG#16-#20)
: 177916-□ (AWG#22-#26)
- 3 APPLICABLE DOUBLE LOCK PLATE: 177920-□
- 4 GENERAL TOLERANCE: ±0.3



NATURAL	8	2301294-1
COLOR	POSITION	PART NO.

THIS DRAWING IS A CONTROLLED DOCUMENT.		DWN NINA LIU 14DEC16	STE TE Connectivity	
DIMENSIONS: mm		CHK DANIEL ZHANG 14DEC16		
TOLERANCES UNLESS OTHERWISE SPECIFIED:		APVD DANIEL ZHANG 14DEC16	NAME AMP POWER DBL LOCK CONN, 3.96mm PITCH PLUG HOUSING 8POS (DBL ROW)	
0 PLC ±-		PRODUCT SPEC 108-5410	SIZE A3	
1 PLC ±-		APPLICATION SPEC 114-5175	CAGE CODE 00779	DRAWING NO C-2301294
2 PLC ±-		WEIGHT -	RESTRICTED TO -	
3 PLC ±-		MATERIAL PA66 UL94V-0	SCALE N/A	
4 PLC ±-			SHEET 1 OF 1	
ANGLES ±-		CUSTOMER DRAWING		REV A
FINISH -				