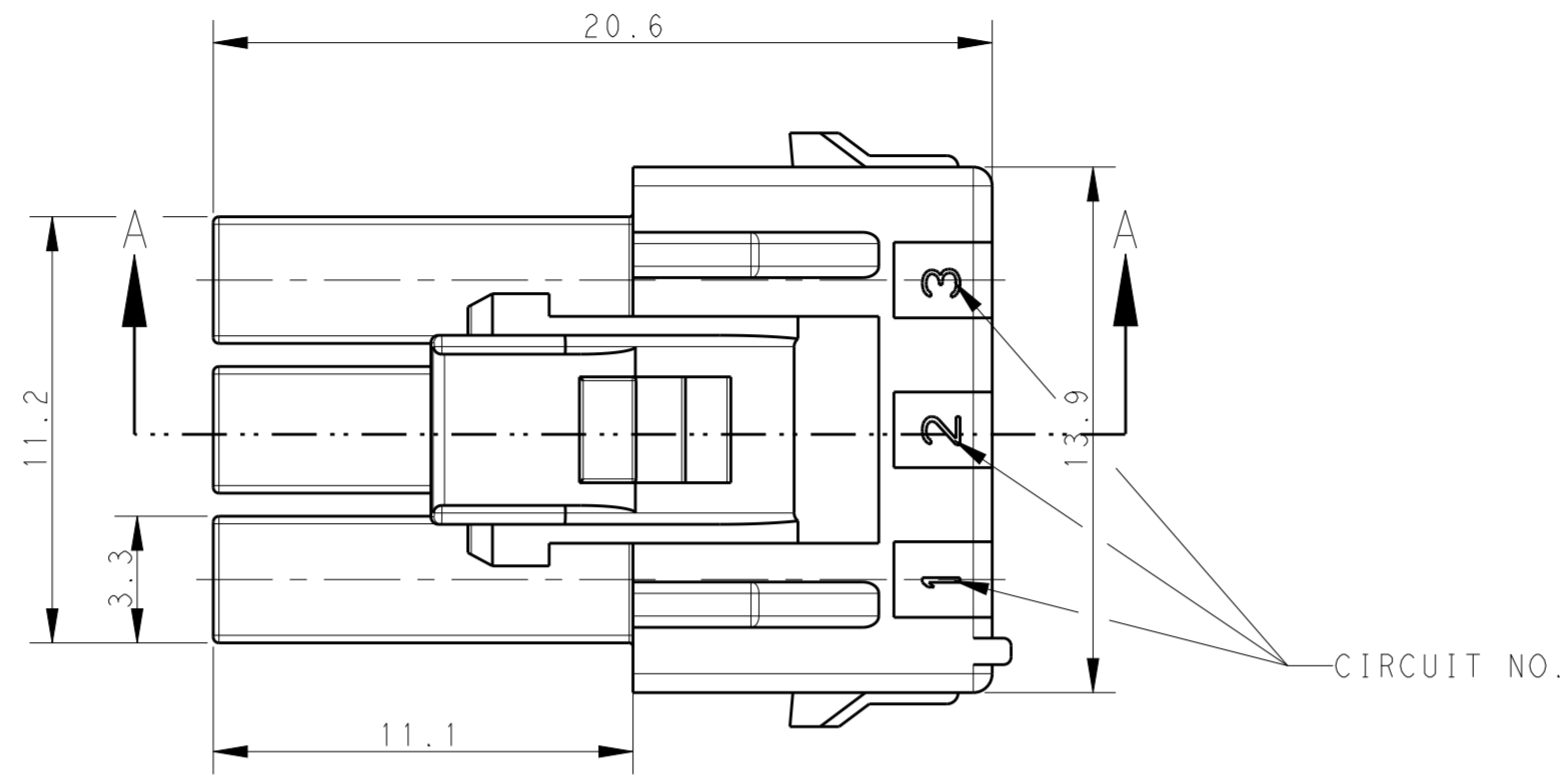
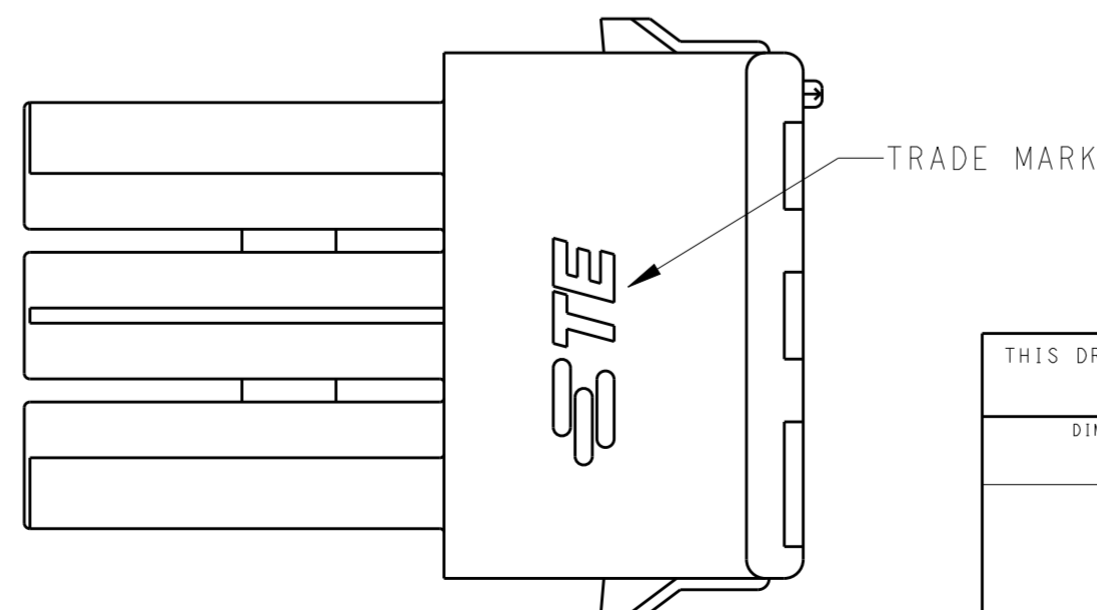
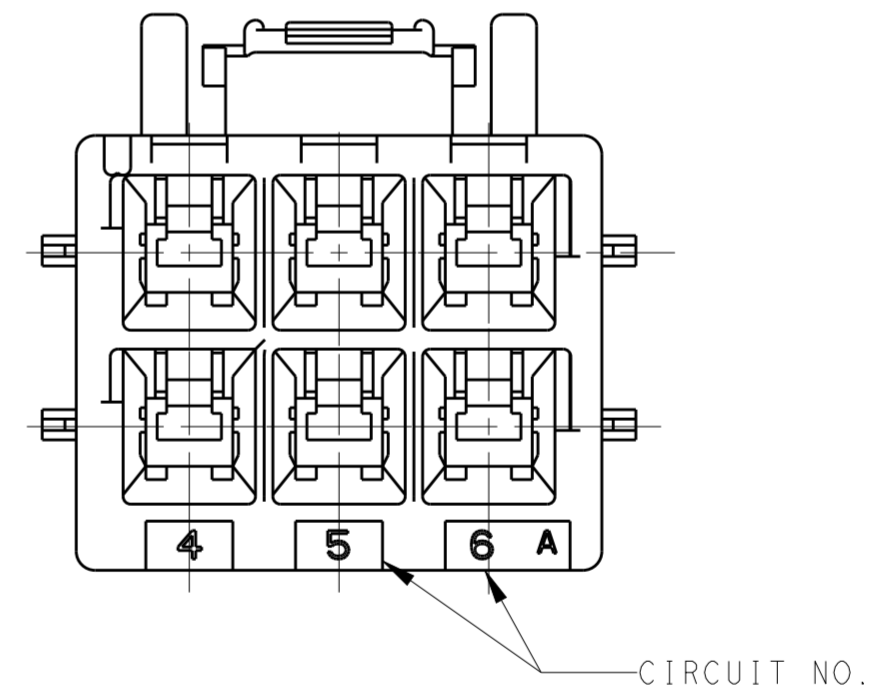
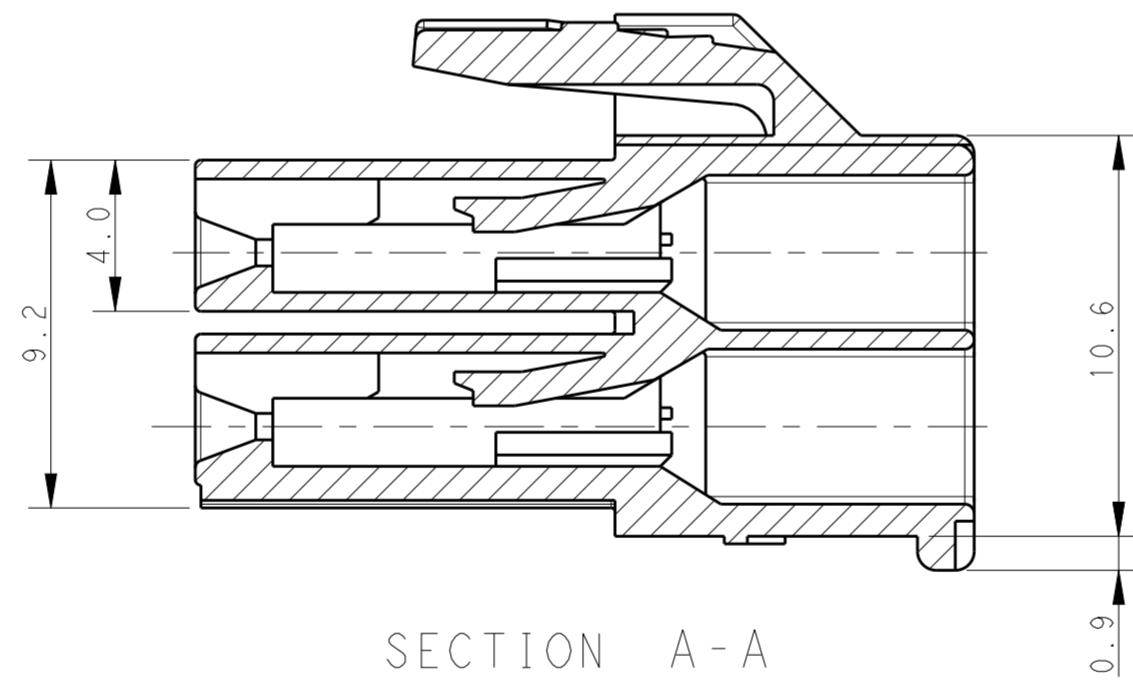
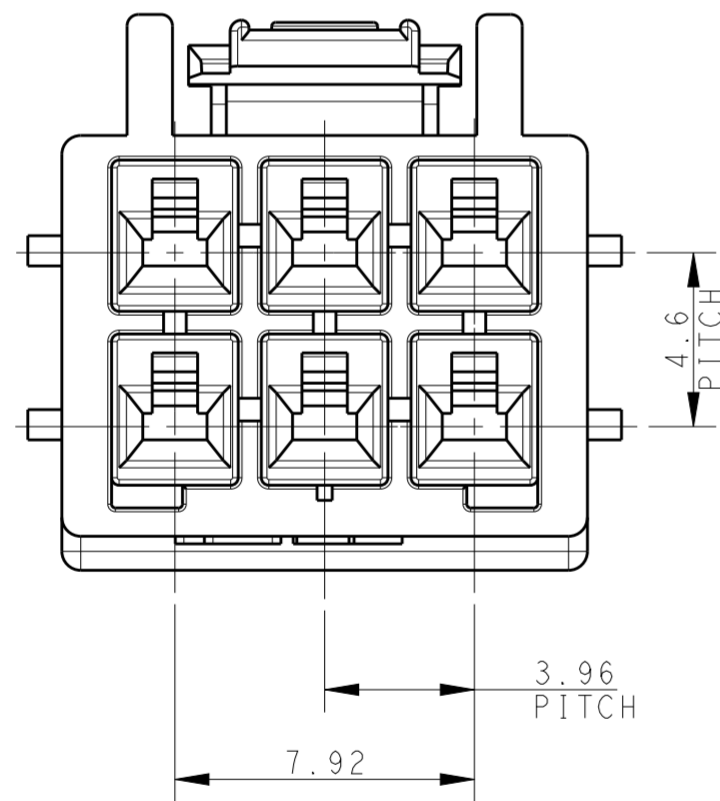


THIS DRAWING IS UNPUBLISHED. RELEASED FOR PUBLICATION
 © COPYRIGHT copyright.dBTe- ALL RIGHTS RESERVED.

REVISIONS				
P	LTR	DESCRIPTION	DATE	APVD
	A	FIRST RELEASE	25OCT2017	N.L D.Z



1. APPLICABLE CONTACT P/N
 REC CONTACT: 177915-□ (#20- 16AWG)
 : 2232901-□ (#20- 16AWG)
 : 177914-□ (#26- 22AWG)
 : 2232902-□ (#26- 22AWG)
2. MATING CONN, P/N
 CAP HSG: 177909-□ (PANEL MOUNT)
 TAB CONTACT: 177917-□ (#20-#16AWG)
 : 177916-□ (#26-#22AWG)
3. APPLICABLE PLATE P/N: 177919-□
4. INSTRUCTION SHEET, 411-5638
5. ALL PARTS MEET RTI ELECTRICAL RATING OF 105C ACCORDING TO UL 1977
6. GENERAL TOLERANCE: ±0.3



THIS DRAWING IS A CONTROLLED DOCUMENT.		DWN 28APR2016 NAGALAKSHMI, K
DIMENSIONS: mm		CHK 28APR2016 BHARATH REDDY
TOLERANCES UNLESS OTHERWISE SPECIFIED:		APVD 28APR2016 DANIEL ZHANG
1 PLC ±	0 PLC ±-	PRODUCT SPEC
1 PLC ±	2 PLC ±	108-5410
3 PLC ±-	4 PLC ±-	APPLICATION SPEC
ANGLES ±3°	FINISH -	114-5175
MATERIAL 6/6 NYLON (UL94V-0)		WEIGHT -
		CUSTOMER DRAWING

NATURAL	6	2301242-1
HOUSING COLOR	Pos.	P/N
STE TE Connectivity		
NAME POWER DBL LOCK CONN 3.96mm PITCH. 6 POS PLUG HOUSING (DBL ROW)		
SIZE	CAGE CODE	DRAWING NO
A200779	C-2301242	
RESTRICTED TO	SCALE	SHEET
-	N/A	1 OF 1
REV	A	