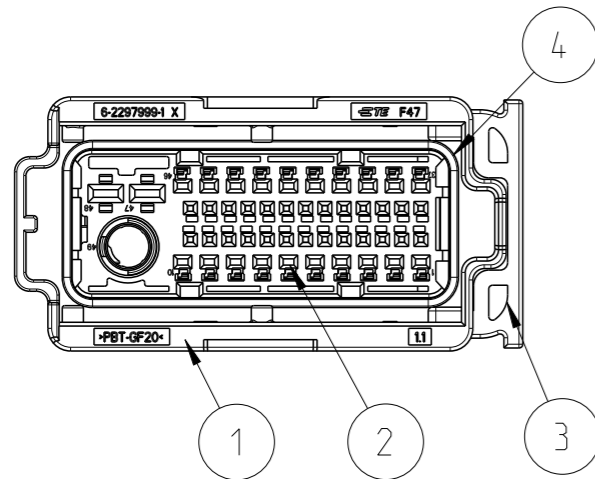
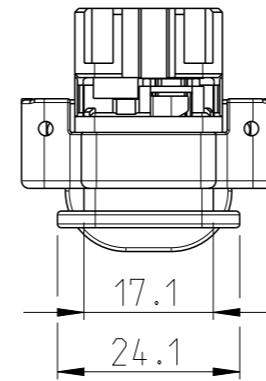
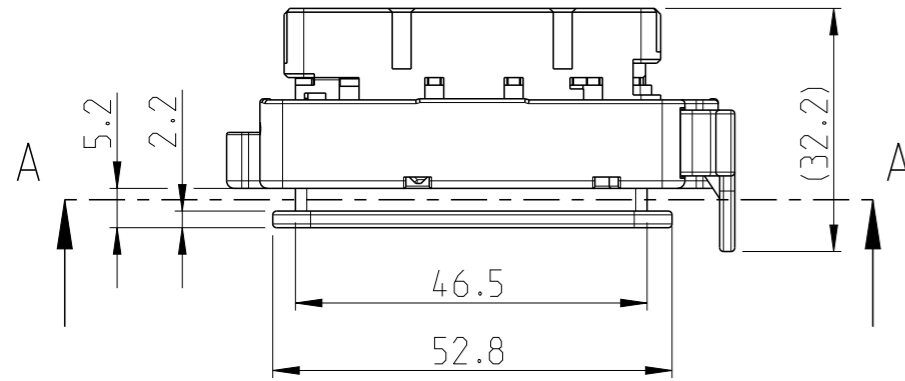
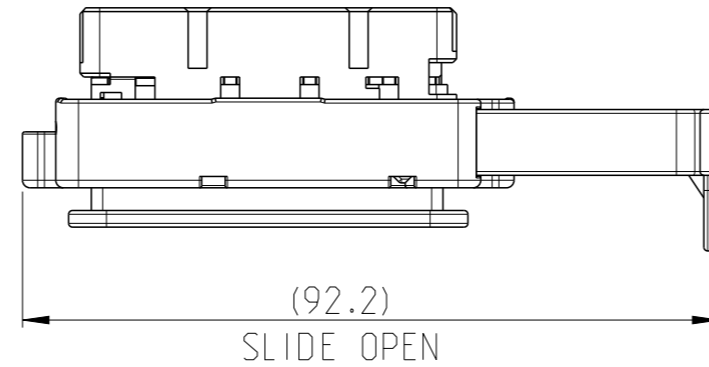
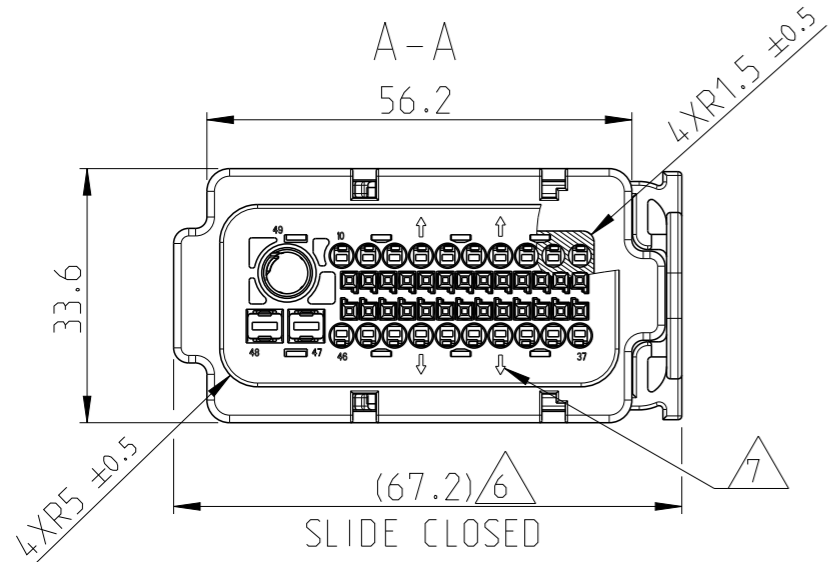


REVISIONS

P	LTR	DESCRIPTION	DATE	DWN	APVD
A		NEW PRODUCT RELEASED	06NOV2016	T.D	I.Y
B		ECR-20-000096	14JAN2020	J.L	I.Y
B1		ECR-20-012542	04SEP2020	J.L	I.Y
B2		ECR-20-017304	08DEC2020	J.L	J.Z

TABEL 1 SUITABLE CONTACT

CONTACT	WIRE RANGE (mm ²)	PART NO.	REMARK
MQS	0.08~0.22	1355717	SEE DRAWING 929454
	0.13/0.17	2141824	
	0.25~0.35	928999	
	0.50~0.75	963715	
MCON1.2	0.25~0.35	1534594	SEE DRAWING 1534326
	0.50~0.75	1670144	
	1.0~1.5	1452503	
	0.22~0.35	2296537-1	SEE DRAWING 2296537
0.50~0.75	2296537-2		
MCP2.8K	1.0~1.5	2296537-3	SEE DRAWING 1241437
	0.20~0.35	1564982	
	0.50~1.0	1241388	
FAKRA	>1.0~2.5	1241390	SEE DRAWING 1719795 Rosenberger ECT
	-	1719791/1719792	
	-	59K130-102A4	
	-	OUTER SHIELD: 818015842 INNER CONTACT: 818014047 T SHIELD: 818017660	

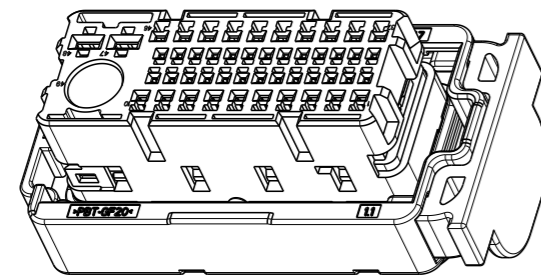


NOTE

- SUITABLE CONTACT SEE TABLE 1
 - SUITABLE MATING PART P/N 2301239-1
 - USED WITH RETAINER 2298002 AND 2301240
 - TE ASSY NO. SEE TABLE
 - PACKAGE: LAYER IN BOX
- △ 6 SLIDE SUPPLY CONDITION: CLOSED
- △ 7 BUMP OF MCON1.2 TERMINAL FACE DIRECTION DURING TERMINAL ASSEMBLY PROCESS

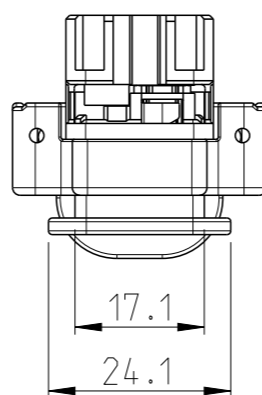
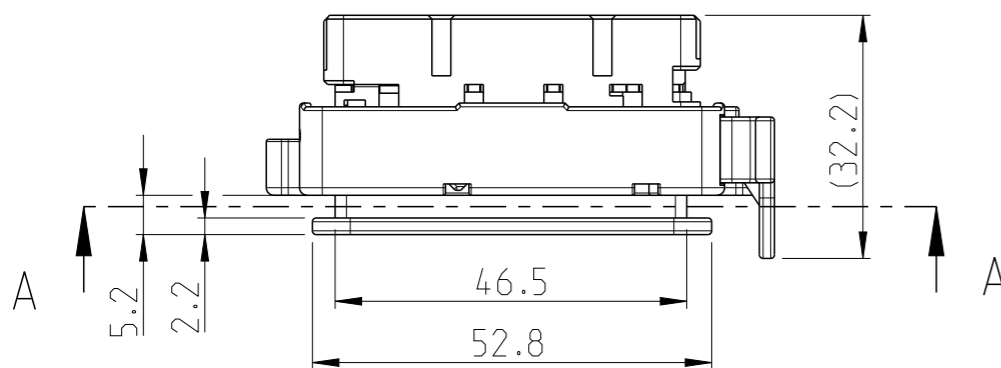
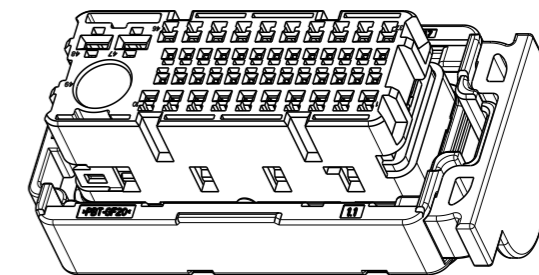
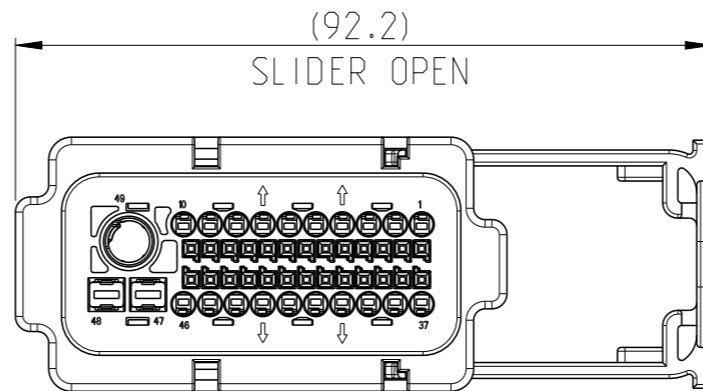
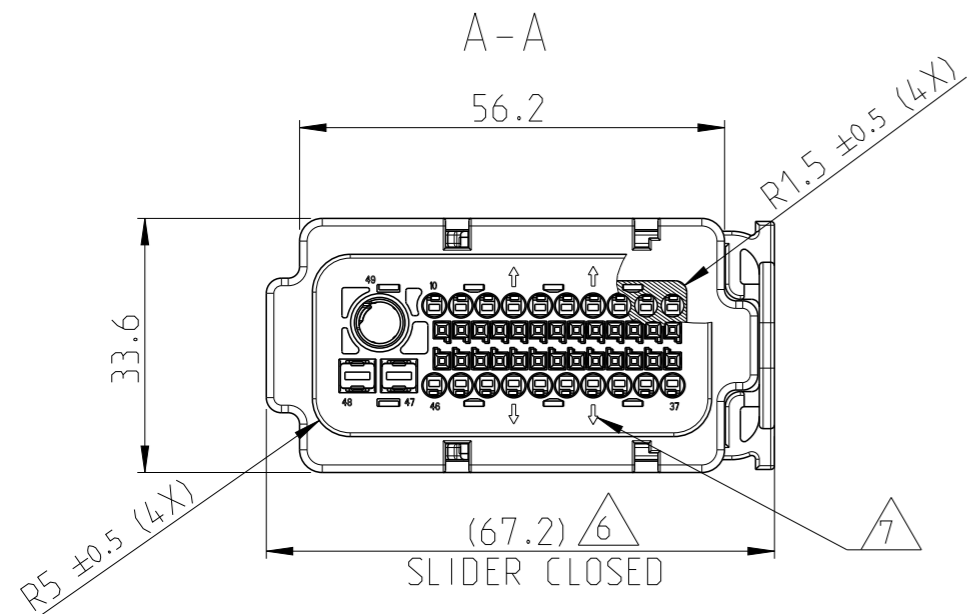
TE ASSY NO.	COLOR	MATERIAL	DESCRIPTION	QTY	ITEM
2301238-1	NATURAL	SILICONE	O-RING	1	4
	BLACK	PBT-GF20	SLIDE	1	3
	BLACK	PBT-GF20	CAVITY BLOCK	1	2
	BLACK	PBT-GF20	HOUSING	1	1

THIS DRAWING IS A CONTROLLED DOCUMENT.		DWN T.DONG 06NOV2016			
DIMENSIONS: mm		CHK S.WANG 06NOV2016			
TOLERANCES UNLESS OTHERWISE SPECIFIED: ±0.3		APVD I.YIN 06NOV2016	NAME -		
		PRODUCT SPEC -	PLUG HOUSING ASS'Y, 49POSN. FAKRA TYPE		
MATERIAL SEE TABLE		APPLICATION SPEC -	SIZE A3	CAGE CODE 00779	DRAWING NO C-2301238
FINISH SEE TABLE		WEIGHT -	RESTRICTED TO -		
CUSTOMER DRAWING			SCALE 1:1	SHEET 1 OF 2	REV B2



REVISIONS

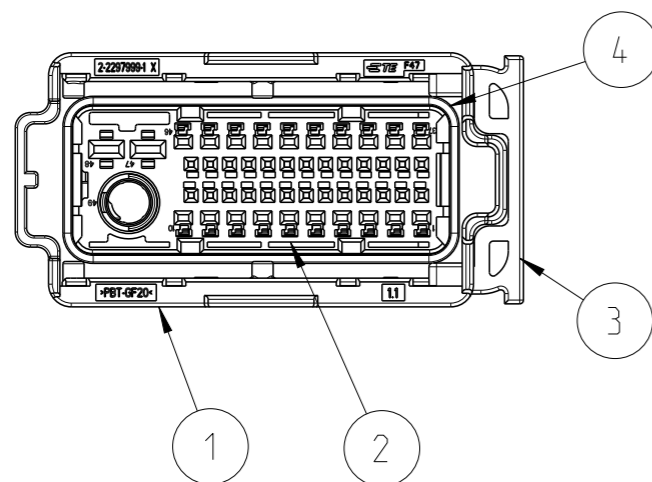
P	LTR	DESCRIPTION	DATE	DWN	APVD
-	-	SEE SHEET 1	-	-	-



NOTE

- SUITABLE CONTACT SEE SHEET 1
- SUITABLE MATING PART P/N 2-2301239-1
- USED WITH RETAINER 2298002 AND 2301240
- TE ASSY NO. SEE TABLE
- PACKAGE: LAYER IN BOX

- 6 SLIDE SUPPLY CONDITION: CLOSED
- 7 BUMP OF MCON1.2 TERMINAL FACE DIRECTION DURING TERMINAL ASSEMBLY PROCESS



TE ASSY NO.	COLOR	MATERIAL	DESCRIPTION	QTY	ITEM
2-2301238-1	NATURAL	SILICONE	O-RING	1	4
	BLACK	PBT-GF20	SLIDE	1	3
	BLACK	PBT-GF20	CAVITY BLOCK	1	2
	BLACK	PBT-GF20	HOUSING	1	1

THIS DRAWING IS A CONTROLLED DOCUMENT.	
DIMENSIONS: mm	TOLERANCES UNLESS OTHERWISE SPECIFIED: ±0.3
MATERIAL: SEE TABLE	FINISH: SEE TABLE

DWN J.LEE 08DEC2020	 TE Connectivity NAME: - PLUG HOUSING ASS'Y, 49POSN. FAKRA TYPE					
CHK S.FAN 08DEC2020						
APVD J.Z 08DEC2020						
PRODUCT SPEC						
APPLICATION SPEC	SIZE: A3	CAGE CODE: 00779	DRAWING NO: C-2301238	RESTRICTED TO: -		
WEIGHT: -	CUSTOMER DRAWING			SCALE: 1:1	SHEET: 2 OF 2	REV: B2