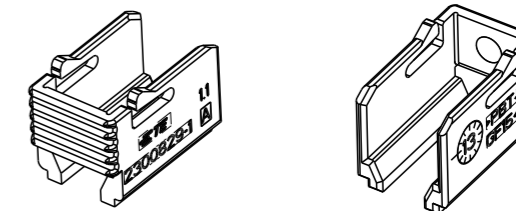
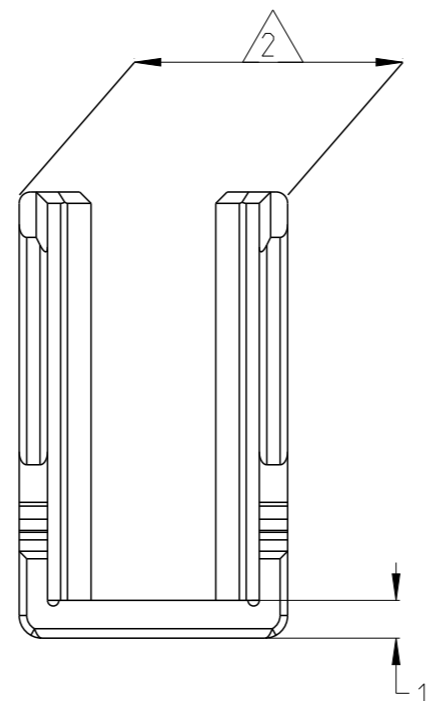


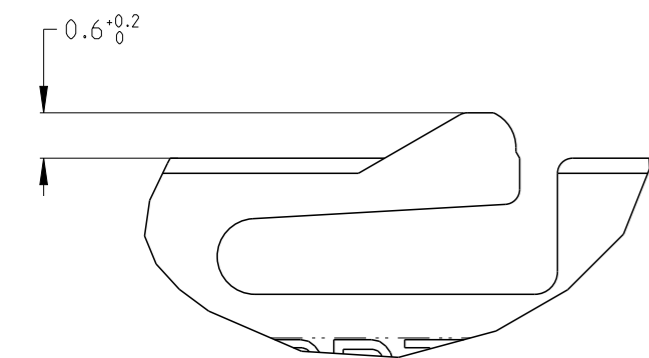
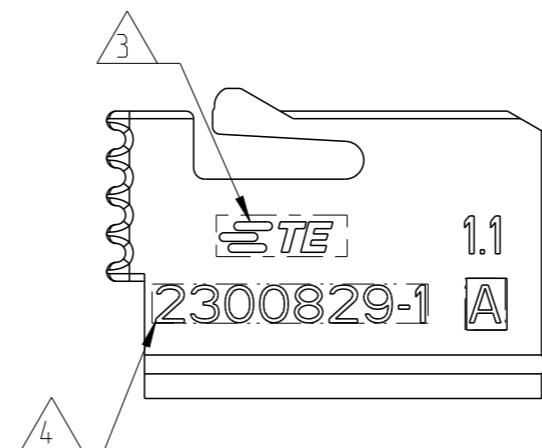
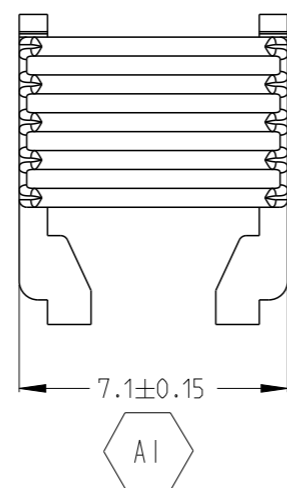
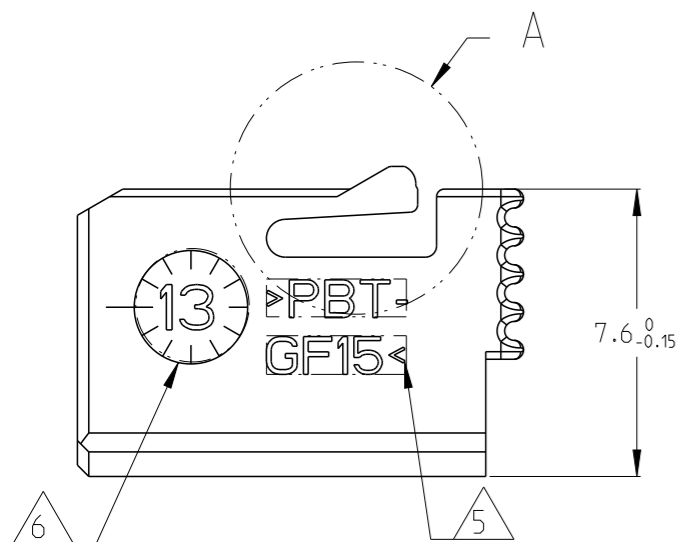
THIS DRAWING IS UNPUBLISHED. RELEASED FOR PUBLICATION 20
 © COPYRIGHT 20 BY - ALL RIGHTS RESERVED.

REVISIONS

P	LTR	DESCRIPTION	DATE	DWN	APVD
	A	FIRST RELEASE	05JUL2016	D.D	SY.W
	A1	ADJUST DRAWING	05DEC2016	D.D	J.YIN



- 1 SUITABLE TE PLUG: 2300173-1
- 2 WARPAGE PERMITTED MAX. -1.5MM
- 3 TE LOGO;
- 4 TE PART NO;
- 5 MATERIAL IDENTIFICATION;
- 6 DATA CODE



DETAIL A
SCALE 10:1

2300829-1	A	PBT-GF15	GREY	SLIDER, MQS 8 POS	1
ORDER NO	REV	MATERIAL	COLOR	DESCRIPTION	ITEM NO

THIS DRAWING IS A CONTROLLED DOCUMENT.

DIMENSIONS:	TOLERANCES UNLESS OTHERWISE SPECIFIED:
mm	
0 PLC	±0.2
1 PLC	±0.2
2 PLC	±0.2
3 PLC	±
4 PLC	±
ANGLES	±2°
MATERIAL	FINISH
PBT-GF15	-

DWN	05DEC2016
D.DING	
CHK	05DEC2016
SY.WANG	
APVD	05DEC2016
J.YIN	
PRODUCT SPEC	108-101450
APPLICATION SPEC	114-101046
WEIGHT	0.25g
CUSTOMER DRAWING	

STE TE Connectivity			
NAME SLIDER, MQS 8 POS			
SIZE	CAGE CODE	DRAWING NO	RESTRICTED TO
A3	00779	©-2300829	-
SCALE 5:1		SHEET 1 OF 1	REV A1