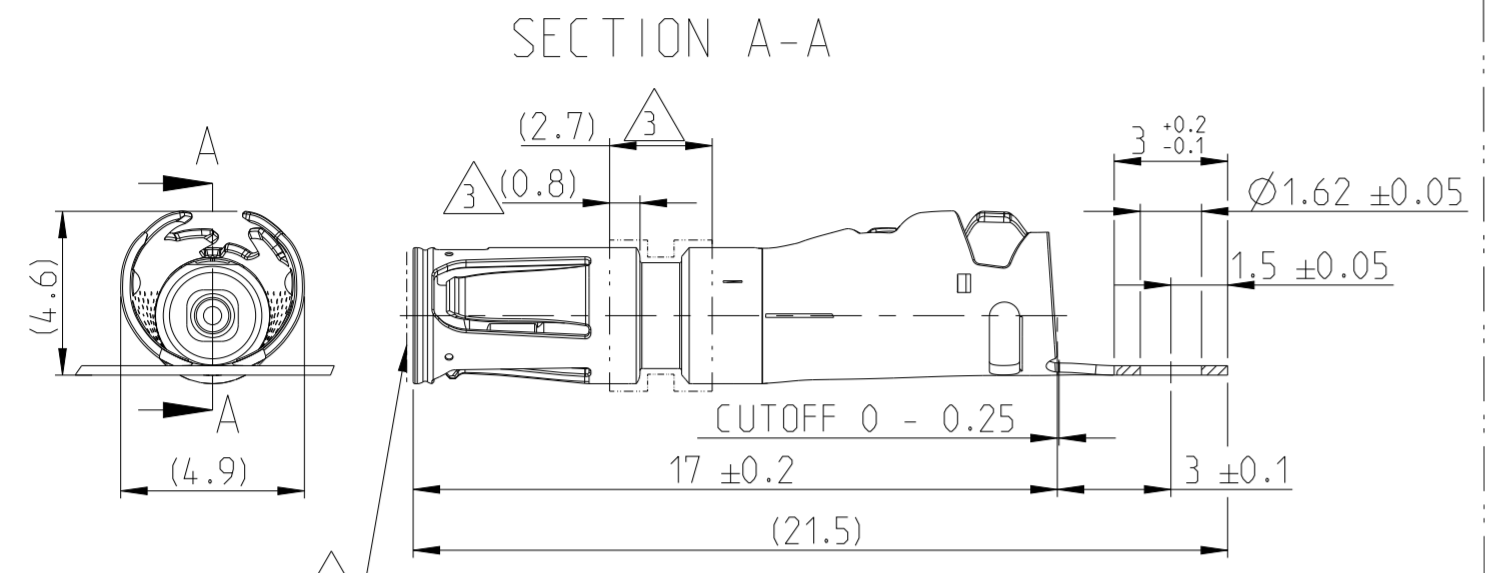
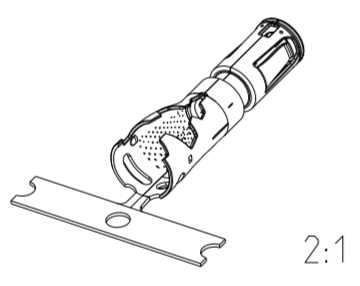
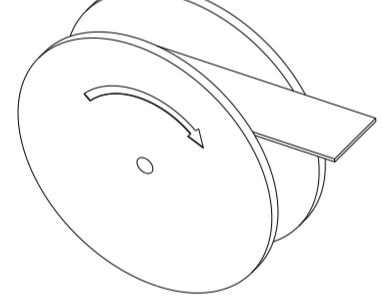


REVISIONS					
P	LTR	DESCRIPTION	DATE	DWN	APVD
C2		ADDED 2298126-2	06NOV2019	NR	CS
C3		ECR-20-002498	16APR2020	KM	CS
C4		ECR-20-005602	16APR2020	KM	CS
C5		GAP SIZE TOL ADDED	21SEP2021	SA	CS

1 SUBASSEMBLY SOCKET OUTER CONTACT
Subassembly Buchsenkontakt



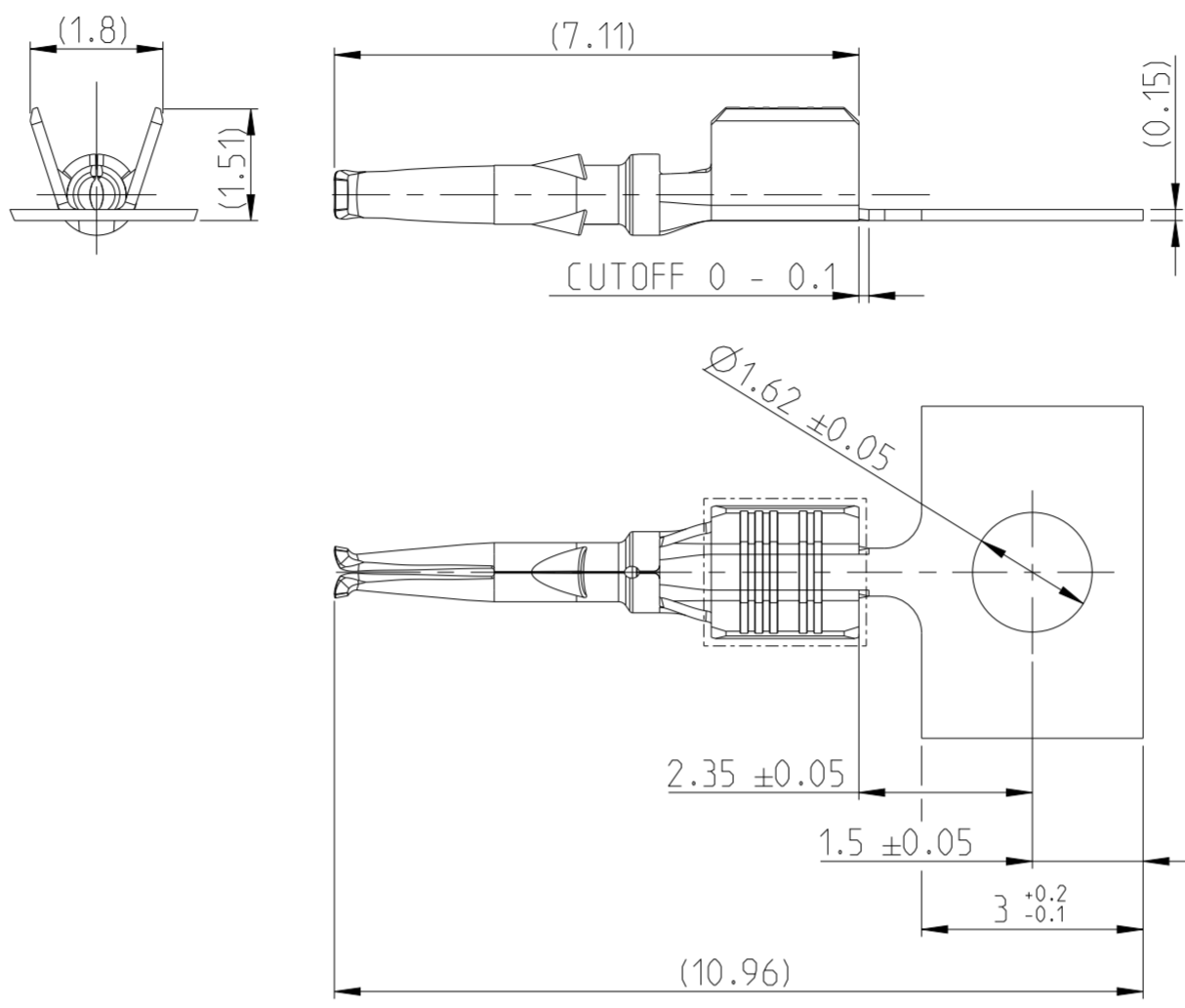
UNWINDING DIRECTION



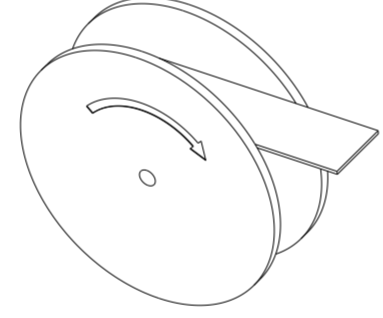
2:1

DIE FEED 15±0.05 mm

2 SOCKET CENTER CONTACT
Innenleiter Buchsenkontakt



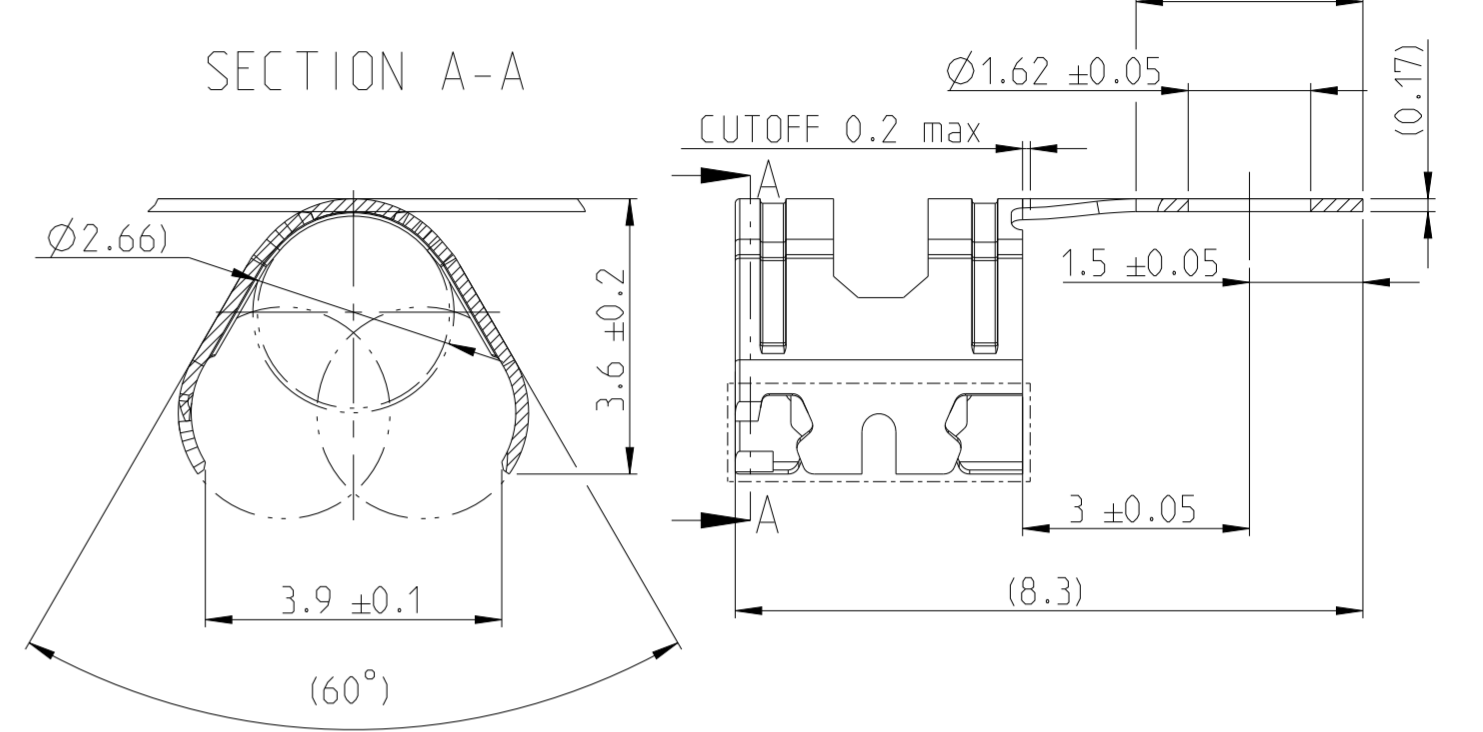
UNWINDING DIRECTION



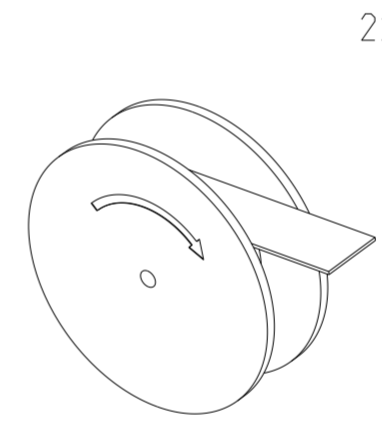
2:1

DIE FEED 4.5±0.05 mm

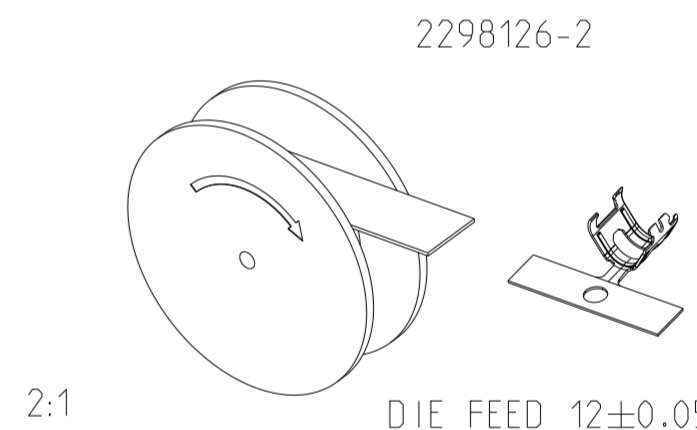
3 FERRULE
Stuetzhuelse



UNWINDING DIRECTION



2298126-1



2298126-2

DIE FEED 12±0.05 mm

NOTES
Bemerkungen

- 1 WEIGHT WITHOUT CARRIER STRIP
Gewicht ohne Trägerstreifen
- 2 CONTACT KIT PART NUMBER FOR REFERENCE ONLY
COMPONENTS MUST BE PURCHASED SEPARATLY
Kontaktkit Teilenummer nur zur Referenz
Komponenten sind einzeln zu bestellen
- 3 ALLOWED AREA FOR CONTACT GRIPPING
FOR CABLE TERMINATION
Zulaessiger Bereich zum Greifen des
Kontaktes bei der Kabelverarbeitung
- 4 DURING THE PROCESSING, THE CONTACT
MAY BE LOADED WITH MAX. 30N IN AXIAL DIRECTION
Bei der Verarbeitung darf der Kontakt an
gezeigter Stelle axial mit max. 30N belastet werden
- 5 ALTERNATIVE 2298126-2 (=2298126-1 IN OPPOSITE REELING DIRECTION)
Alternativ 2298126-2 (=2298126-1 in entgegengesetzter Wickelrichtung)

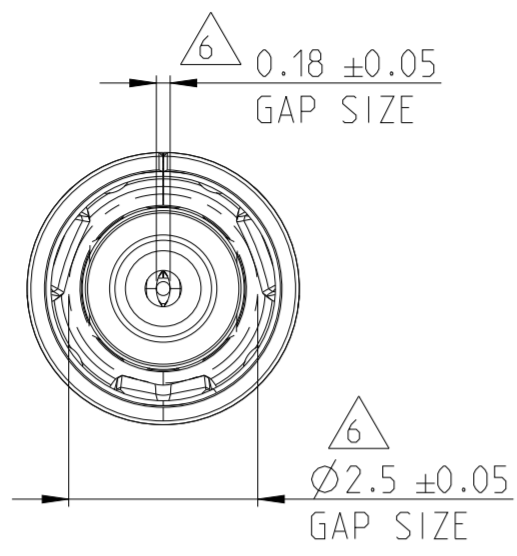
CONTACT KIT PART NUMBER	PIECE Stueck	COMPONENT PART NUMBER	REV.	DESCRIPTION Benennung	MATERIAL Werkstoff	SURFACE Oberflaeche	WEIGHT (g)	ITEM Pos.
2298488-1	1	2298126-1	C	FERRULE, RTK031 Stuetzhuelse, RTK031	STAINLESS STEEL	PLAIN Blank	0.035	3
	1	2298121-1	B	SOCKET CENTER CONTACT, RTK031 Innenleiter Buchsenkontakt, RTK031	CuSn	Ag	0.02	2
	1	2298116-1	C	SUB-ASSEMBLY SOCKET CONTACT RTK031	CuSn	Sn	0.39	1
				Socket Outer Contact	PBT	Green RAL 6018 Similar		

THIS DRAWING IS A CONTROLLED DOCUMENT.

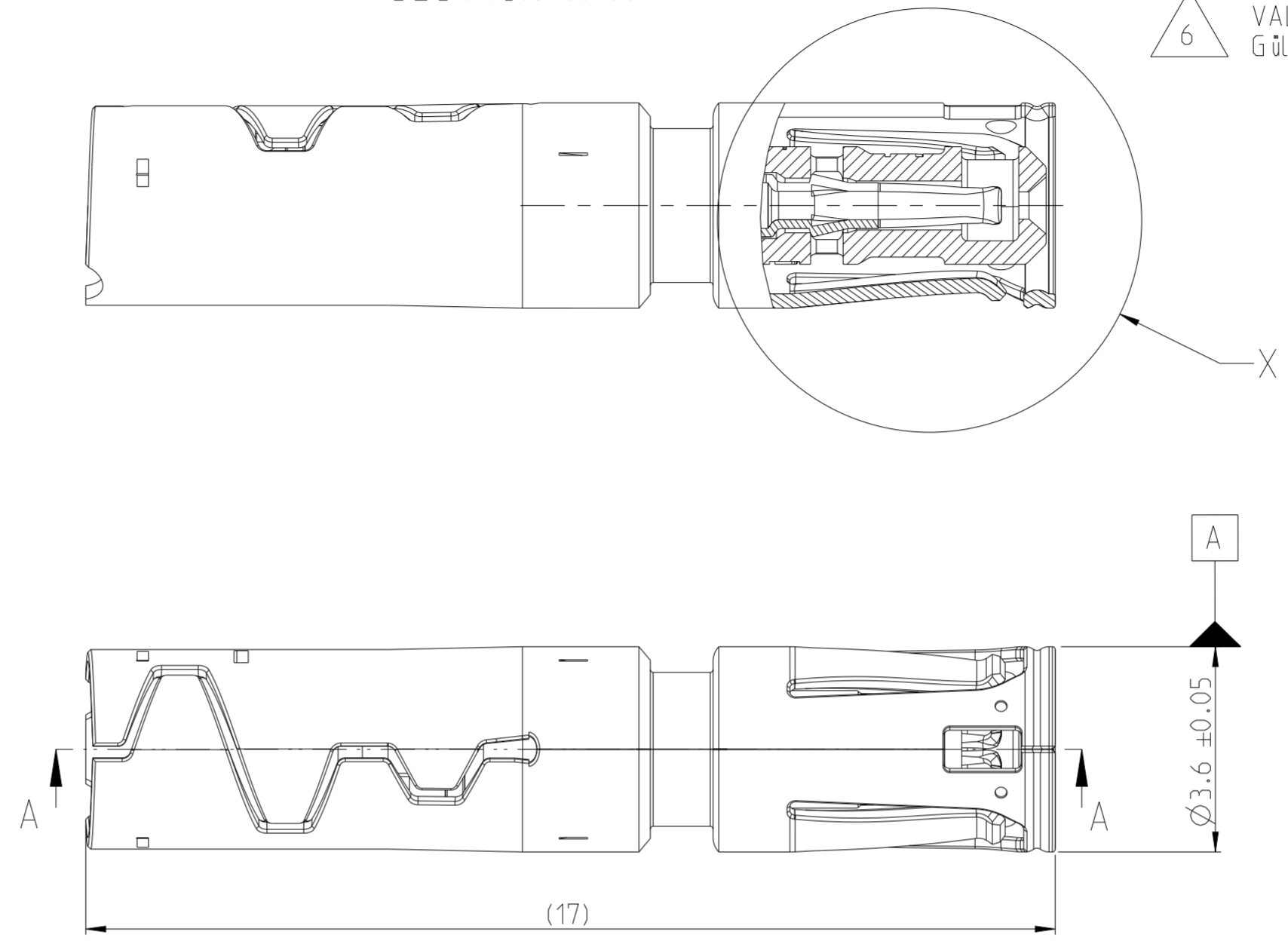
DIMENSIONS: mm	TOLERANCES UNLESS OTHERWISE SPECIFIED:	DWN L. Nguyen 03MAR2016	TE Connectivity NAME MATE-AX 180DEG SOCKET CONT. ASSY MATE-AX 180Grad Buchsenk., Assy CABLE RTK031
		CHK Olivier De Cloet 03MAR2016	
		APVD C. Schrettlinger 03MAR2016	
		PRODUCT SPEC 108-94515	
MATERIAL	FINISH	APPLICATION SPEC 114-94413	SIZE A2
		WEIGHT	CAGE CODE 00779
		CUSTOMER DRAWING	DRAWING NO C-2298488

RESTRICTED TO: SCALE 10:1 SHEET 1 OF 2 REV C5

REVISIONS				
P	LTR	DESCRIPTION	DATE	APVD
-	-	SEE SHEET 1	-	-

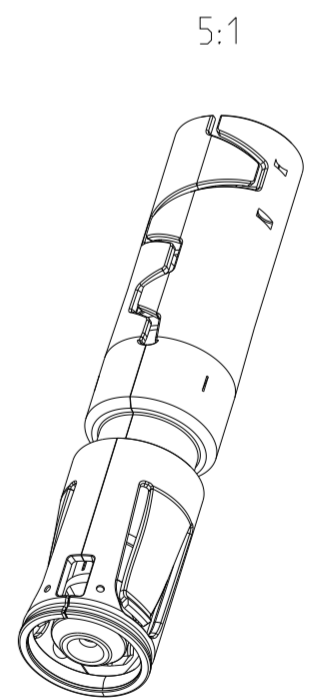
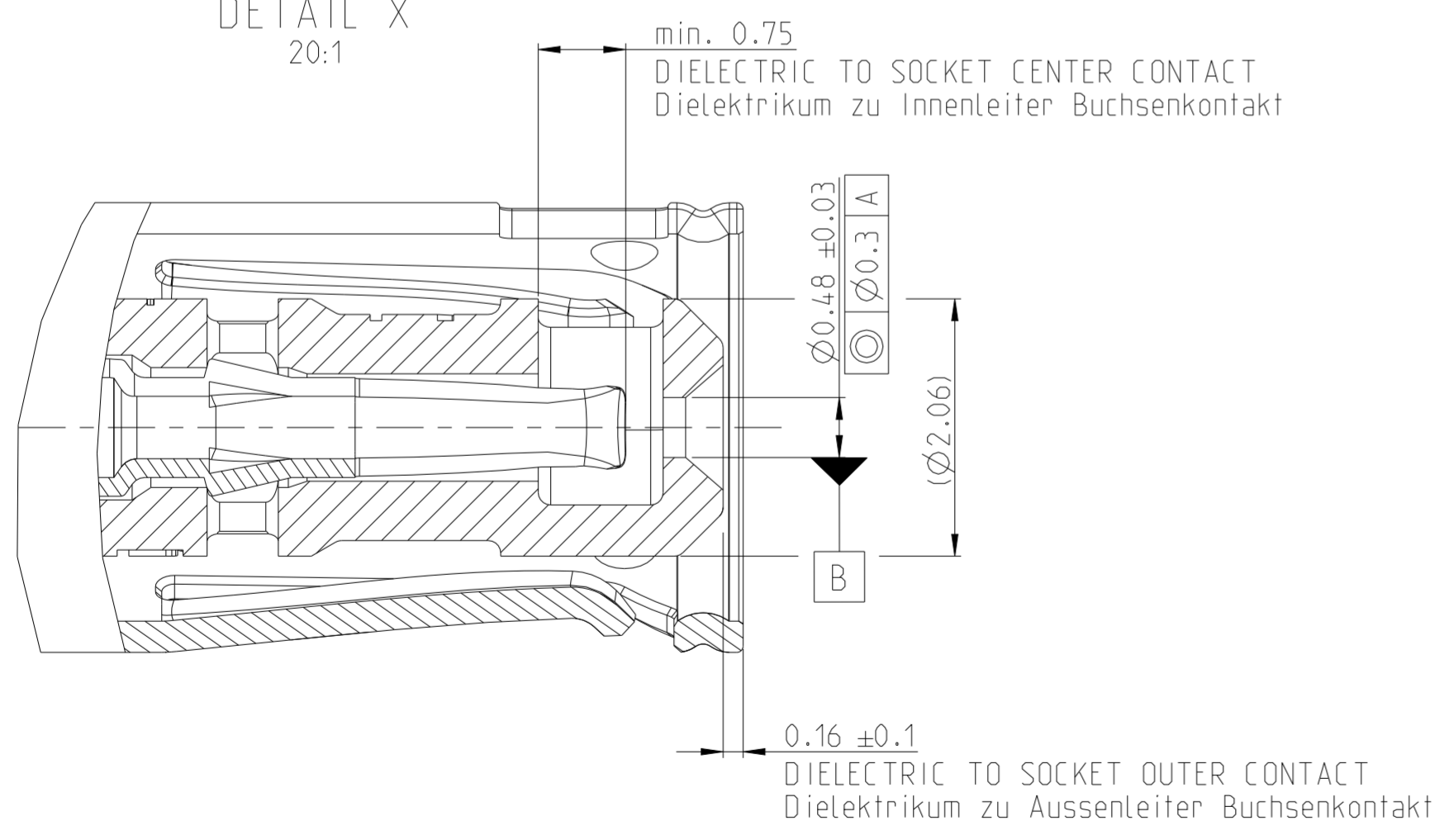


SECTION A-A



6 VALID WHEN CHECKING THE GAP SIZES ON FINAL PRODUCT
 Gültig bei Überprüfung des Spaltmaßes nach Konfektion

DETAIL X
 20:1



THIS DRAWING IS A CONTROLLED DOCUMENT.		DWN L. Nguyen 03MAR2016	TE Connectivity	
DIMENSIONS: mm		CHK Olivier De Cloet 03MAR2016		
TOLERANCES UNLESS OTHERWISE SPECIFIED:		APVD C. Schrettlinger 03MAR2016	NAME MATE-AX 180DEG SOCKET CONT. ASSY MATE-AX 180Grad Buchsenk., Assy CABLE RTK031	
0 PLC ±0.2 1 PLC ±0.1 2 PLC ±0.1 3 PLC ± 4 PLC ± ANGLES ±5° FINISH		PRODUCT SPEC 108-94515	SIZE A2	CAGE CODE 00779
MATERIAL		APPLICATION SPEC 114-94413	DRAWING NO C-2298488	RESTRICTED TO -
-		WEIGHT -	SCALE 10:1 SHEET 2 OF 2 REV C5	
-		CUSTOMER DRAWING		