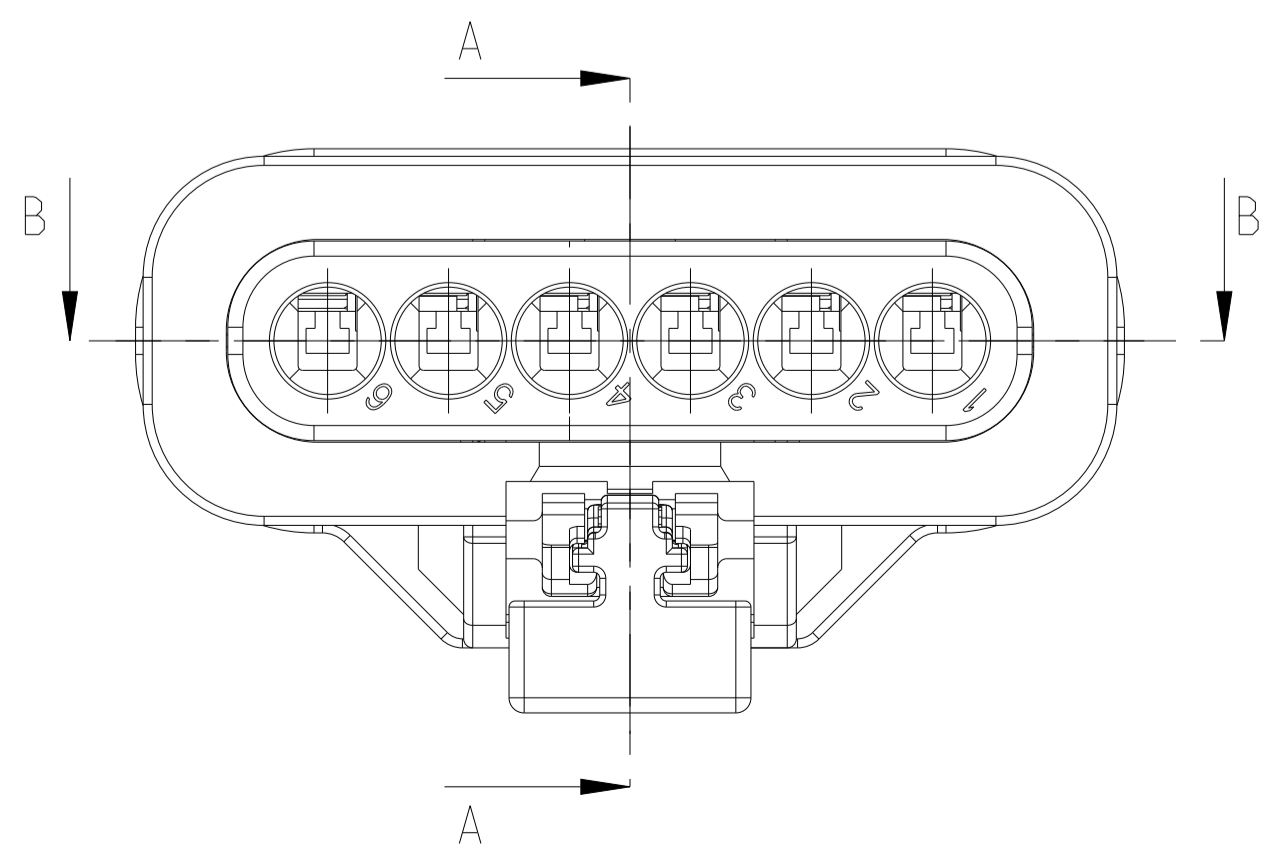
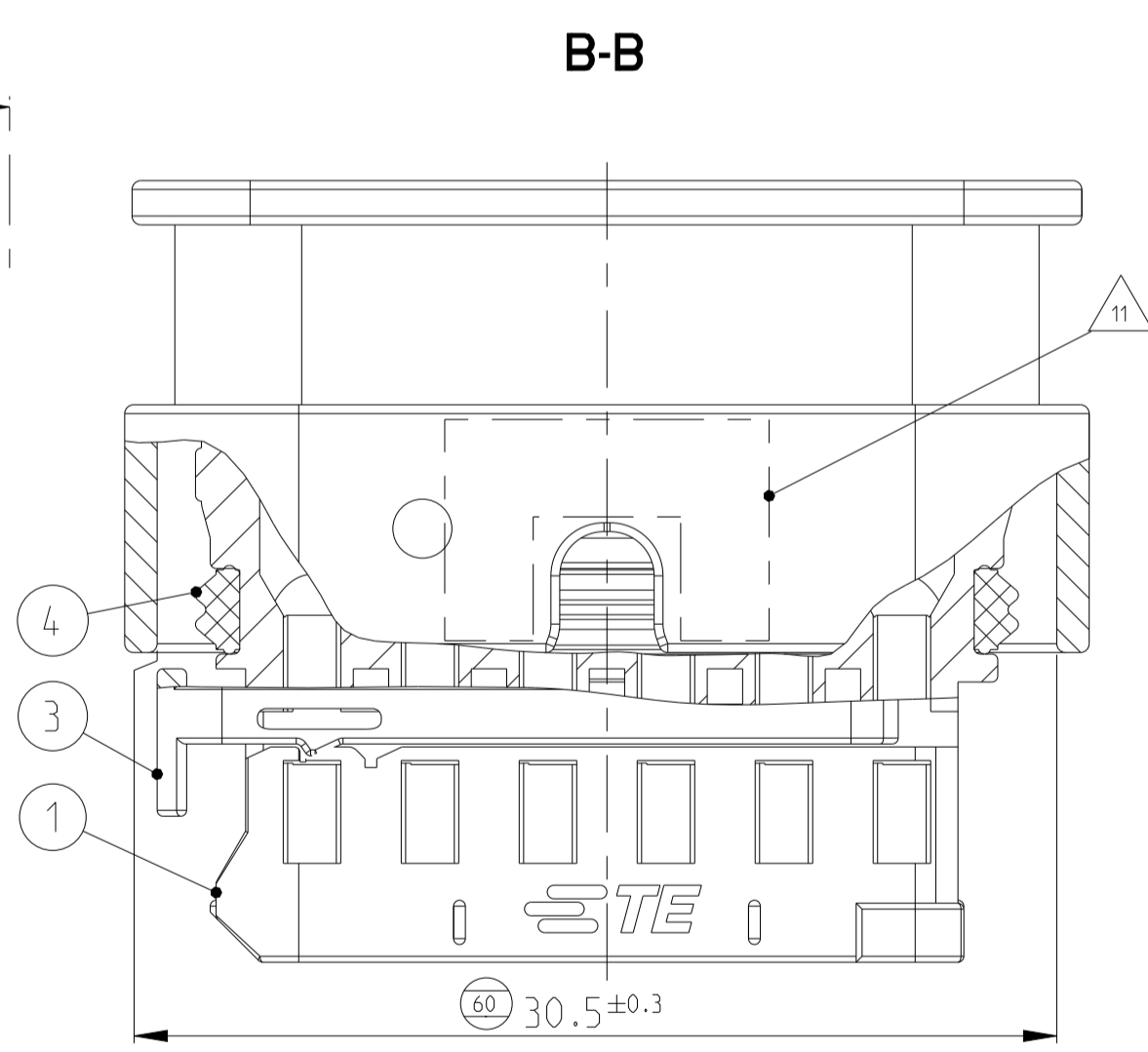
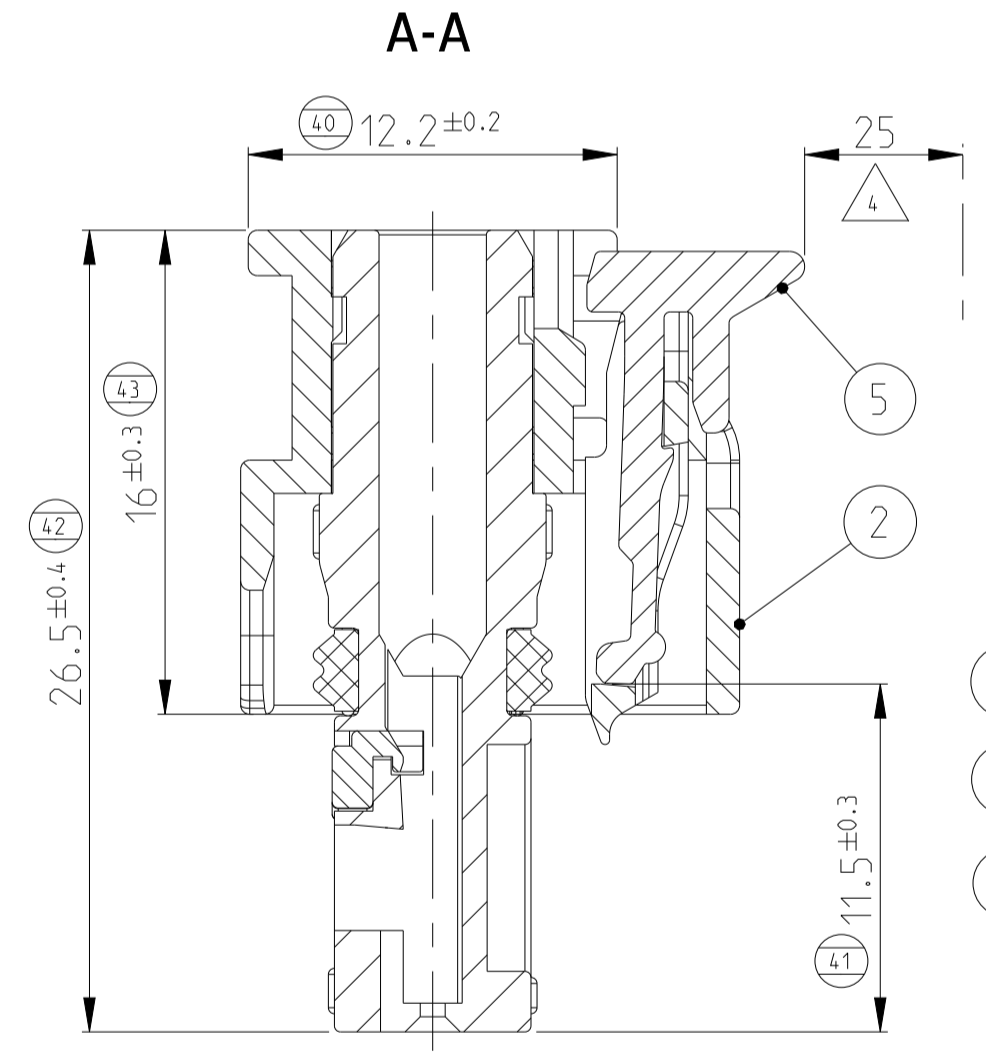
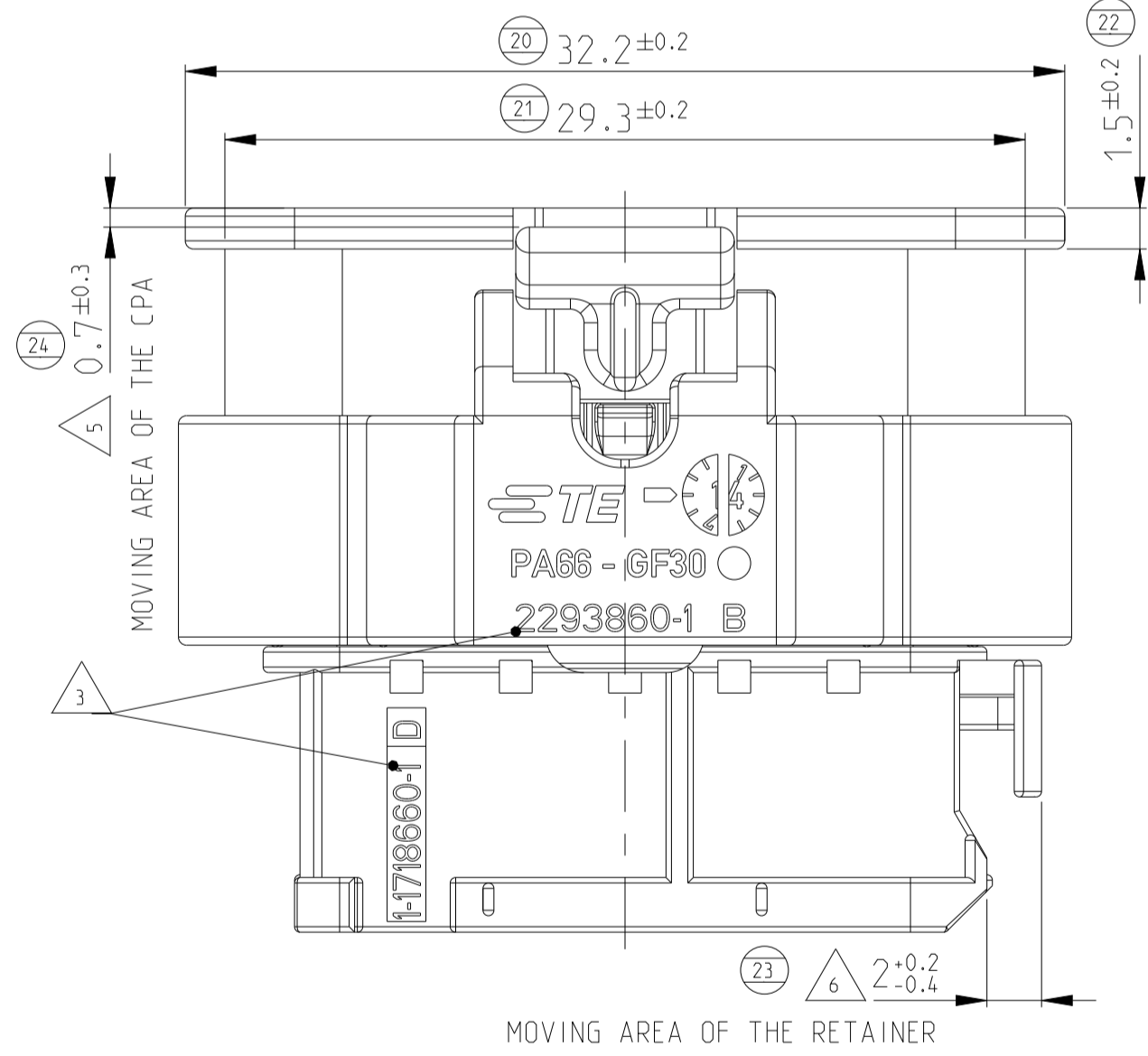
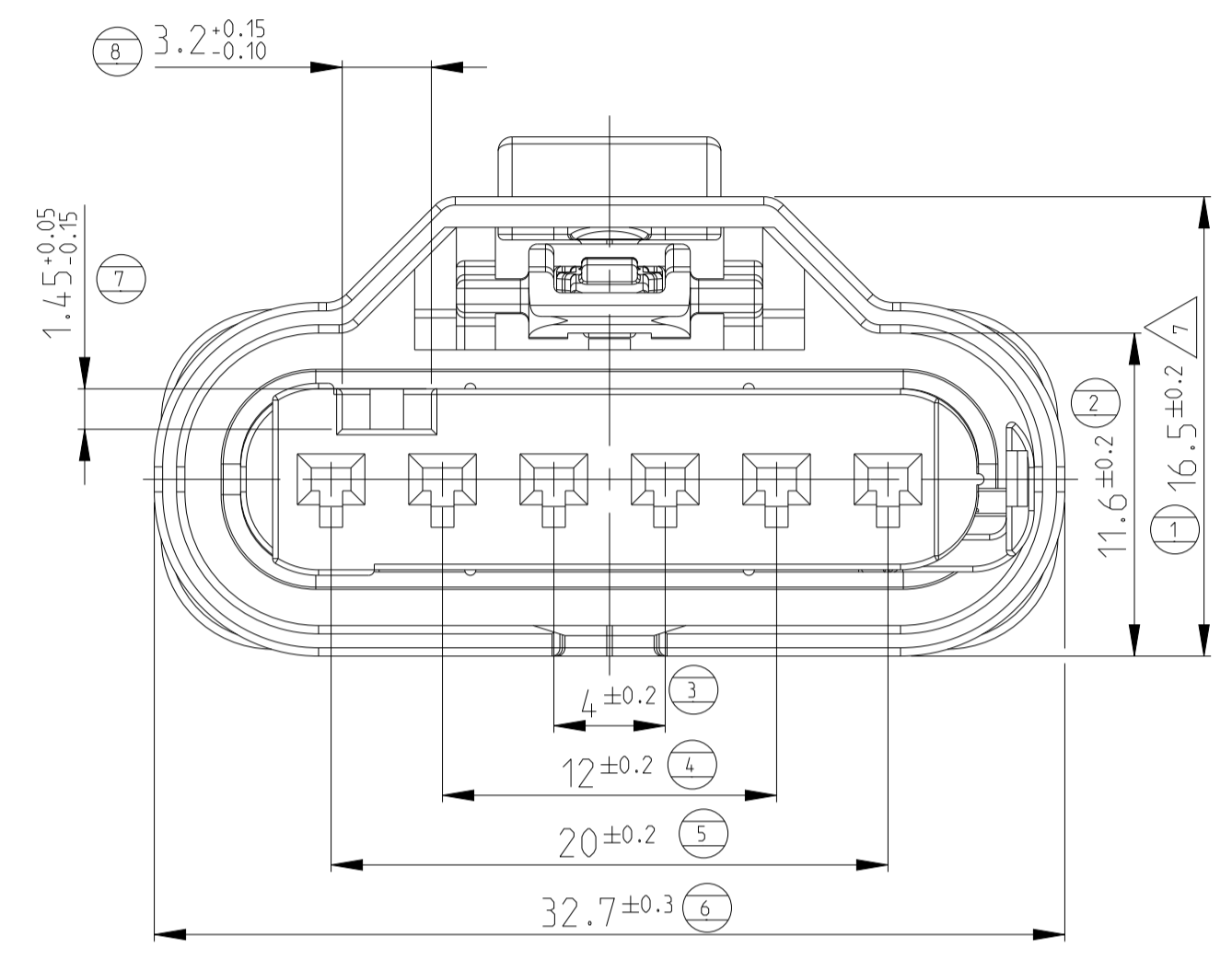
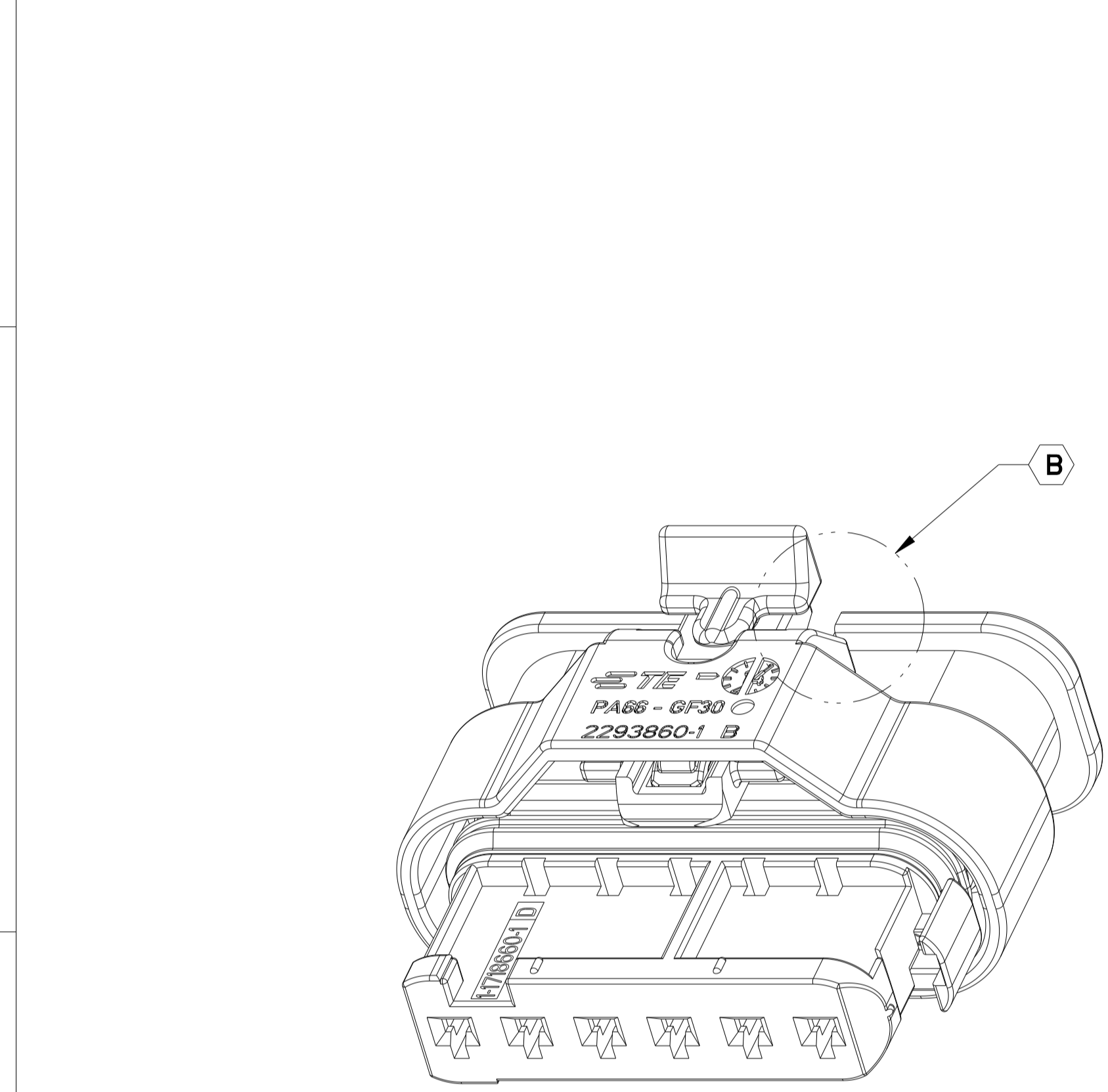


REVISIONS				
P	LTN	DESCRIPTION	DATE	APVD
A		NEW DRAWING	15 JUL 2015	SzN GB
B		OUT HSG UPDATED WITH CUTOUT	2 FEB 2018	SzN RT
B1		ADDITIONAL INFO ON WIRE CROSSECT	29 AUG 2019	SzN LSZ
C		SEAL MATERIAL CHANGE	27 JUL 2022	SzN LSZ

- 1 USABLE CONTACTS MCON 1.2
SEE TE Connectivity -NO. 1452674, VERSION SINGLE WIRE SEAL
- 2 MAX. WIRE SIZE RANGE 1.5 mm² FLR PERMITTED
FOR CAVITY-Ø 3.55MM
QUANTITY SEE WIRE HARNESS DRAWING
FOR PERMISSIBLE CURRENT CARRYING CAPACITY OF THE SINGLE CONTACT
SEE PRODUCT SPECIFICATION NO.108-18782

- 3 SUPPLIER-MARK
- 4 SPACE OF ACTIVITY
- 5 SUPPLY CONDITION: CPA IN PRELOCKED POSITION
- 6 SUPPLY CONDITION: RETAINER IN PRELOCKED POSITION
- 7 WARPAGE PERMITTED TO MAX. -0.5mm
- 8 TE Connectivity ORDER-NO.
- 9 ACCORDING TO INTERFACE DRAWING SEE TE-NO. 114-18679-3
- 10 VERSION WITH 180° TURNED INNER HSG.
- 11 AREA FOR PRINT
- 12 VERSION WITHOUT CPA
- 13 ASSEMBLY LINE SIGMENT IDENTIFICATION
- 14 PRODUCTION DATE CODE (DDYY)

CODING A AS SHOWN



TE-ORDER-NO.	COD	DESCRIPTION	REV	QTY	DESCRIPTION	MATERIAL	SURFACE/COLOR	ITEM
2-2294261-5	B	6pos MCON 1.2 - LL Conector, Sealed	C	1	CPA, MCON 1.2	PBT GF33	RED	5
				1	6pos. MCON 1.2 - Seal	SILICONE RUBBER	GREEN	4
				1	6pos. MCON 1.2 - Retainer	PA66-GF15	VIOLETT - SIMILAR TO RAL 4006	3
				1	6pos. MCON 1.2 Protec. Cover	PA66-GF30	BLACK - SIMILAR TO RAL 9011	2
				1	6pos. MCON 1.2 - Rec. Housing	PA66-GF30	NATURE	1
1-2294261-5	A	6pos MCON 1.2 - LL Conector, Sealed	C	1	CPA, MCON 1.2	PBT GF33	RED	5
				1	6pos. MCON 1.2 - Seal	SILICONE RUBBER	GREEN	4
				1	6pos. MCON 1.2 - Retainer	PA66-GF15	VIOLETT - SIMILAR TO RAL 4006	3
				1	6pos. MCON 1.2 Protec. Cover	PA66-GF30	BLACK - SIMILAR TO RAL 9011	2
				1	6pos. MCON 1.2 - Rec. Housing	PA66-GF30	BLACK - SIMILAR TO RAL 9011	1
2-2294261-1	B	6pos MCON 1.2 - LL Conector, Sealed	C	1	6pos. MCON 1.2 - Seal	SILICONE RUBBER	GREEN	4
				1	6pos. MCON 1.2 - Retainer	PA66-GF15	VIOLETT - SIMILAR TO RAL 4006	3
				1	6pos. MCON 1.2 Protec. Cover	PA66-GF30	BLACK - SIMILAR TO RAL 9011	2
				1	6pos. MCON 1.2 - Rec. Housing	PA66-GF30	NATURE	1
				1	6pos. MCON 1.2 - Seal	SILICONE RUBBER	GREEN	4
1-2294261-1	A	6pos MCON 1.2 - LL Conector, Sealed	C	1	6pos. MCON 1.2 - Retainer	PA66-GF15	VIOLETT - SIMILAR TO RAL 4006	3
				1	6pos. MCON 1.2 Protec. Cover	PA66-GF30	BLACK - SIMILAR TO RAL 9011	2
				1	6pos. MCON 1.2 - Rec. Housing	PA66-GF30	BLACK - SIMILAR TO RAL 9011	1
				1	6pos. MCON 1.2 - Seal	SILICONE RUBBER	GREEN	4
				1	6pos. MCON 1.2 - Retainer	PA66-GF15	VIOLETT - SIMILAR TO RAL 4006	3

TOLERANCES UNLESS OTHERWISE SPECIFIED ACC. TO DIN 16901-140@CENTRIC TO NOMINAL DIMENSION, EDITION 1982-11 SHALL APPLY.
Freiheitsformeln nach DIN 16901-140@. Es gilt die Ausgabe 1982-11.

PRODUCT CHARACTERISTICS ACC. QMP EMEA_12
BESONDERE MERKMALE NACH QMP EMEA_12

THIS DRAWING IS A CONTROLLED DOCUMENT.

DIMENSIONS:	TOLERANCES UNLESS OTHERWISE SPECIFIED:	OWN: Sz.Nemes 15 JUL 2015	
mm	0 PLC ±	CHK: G.BENCZUC 16 JUL 2015	
	1 PLC ±	APPV: G.BENCZUC 16 JUL 2015	
	2 PLC ±	PRODUCT SPEC	

NAME: 6pos. MCON 1.2 - LL Connector, Sealed

SIZE: A1 CAGE CODE: 114-18861 DRAWING NO: 00779 ©=2294261 RESTRICTED TO: -

MATERIAL: - WEIGHT: - CUSTOMER DRAWING: - SCALE: 11:1 SHEET: 1 OF 1 REV: C