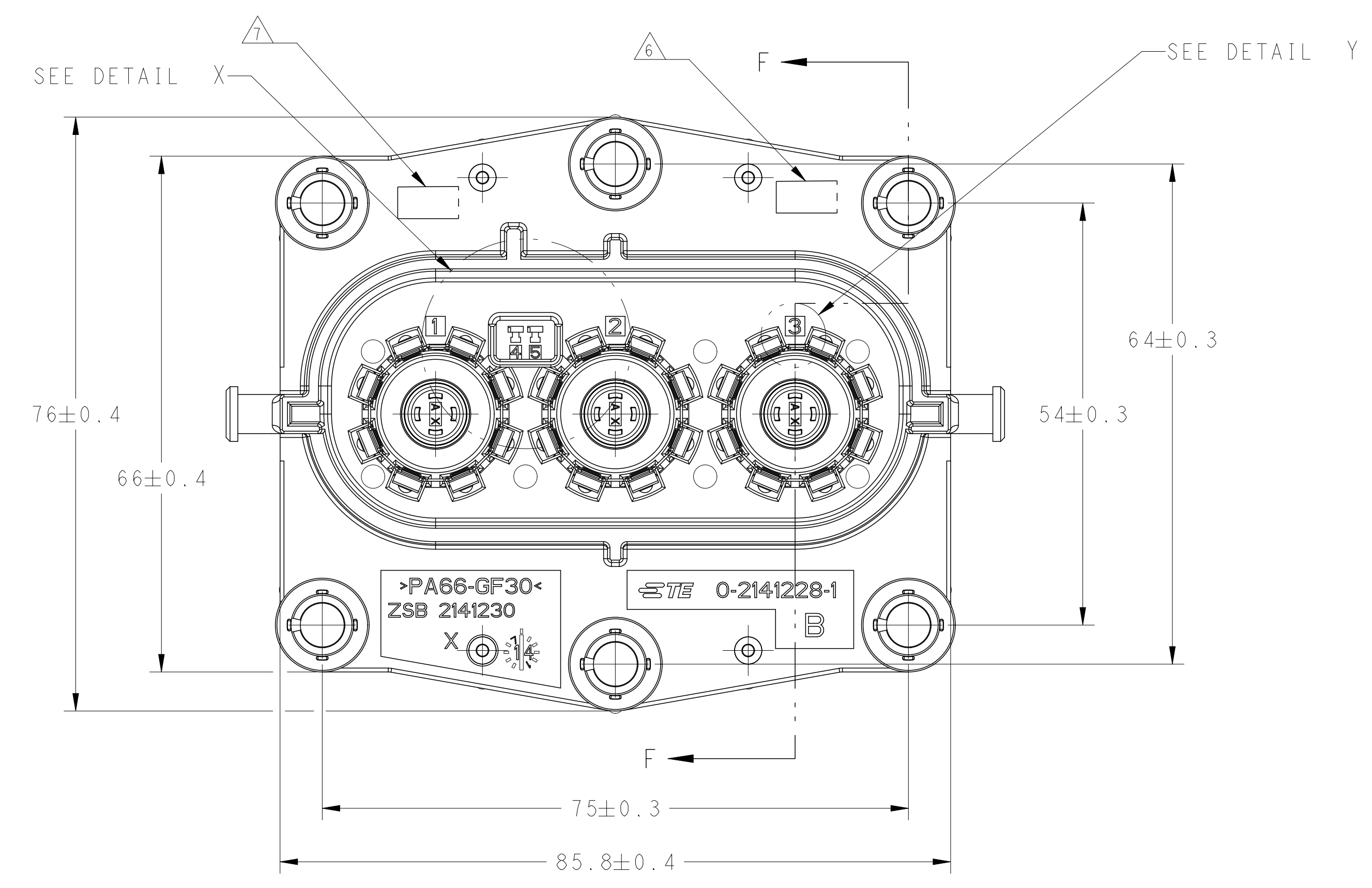
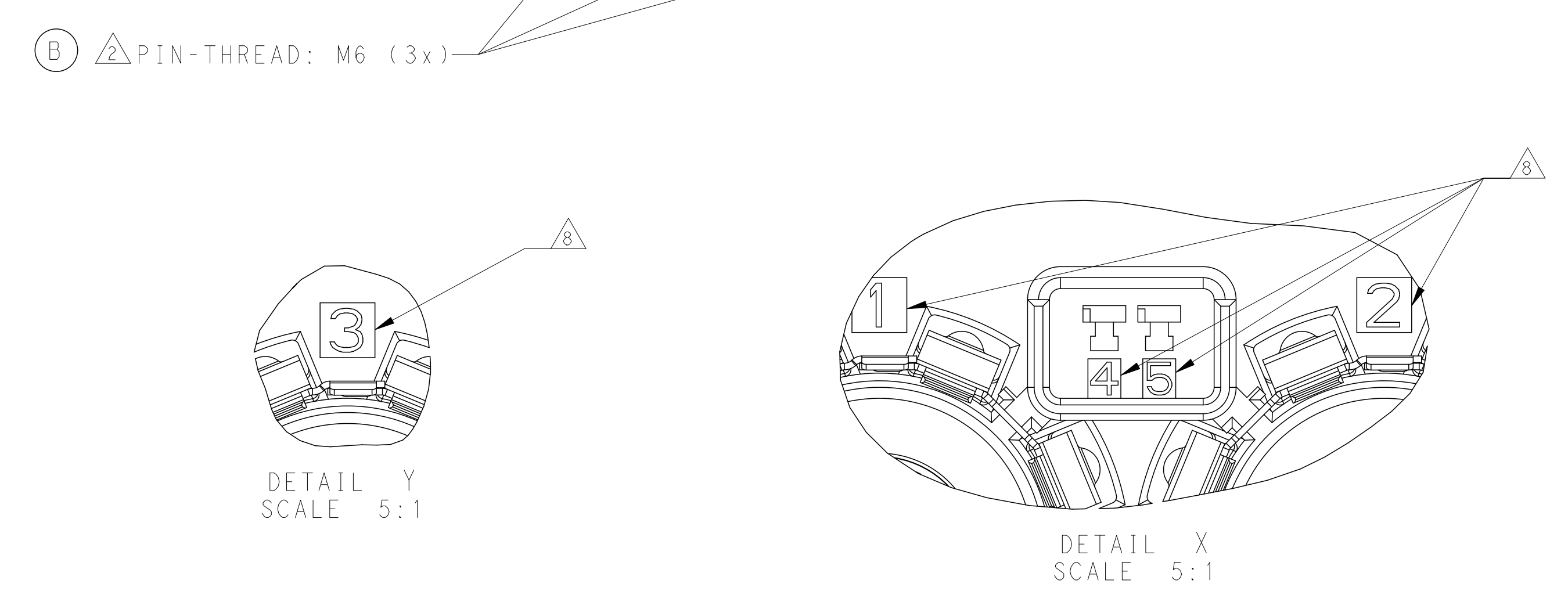
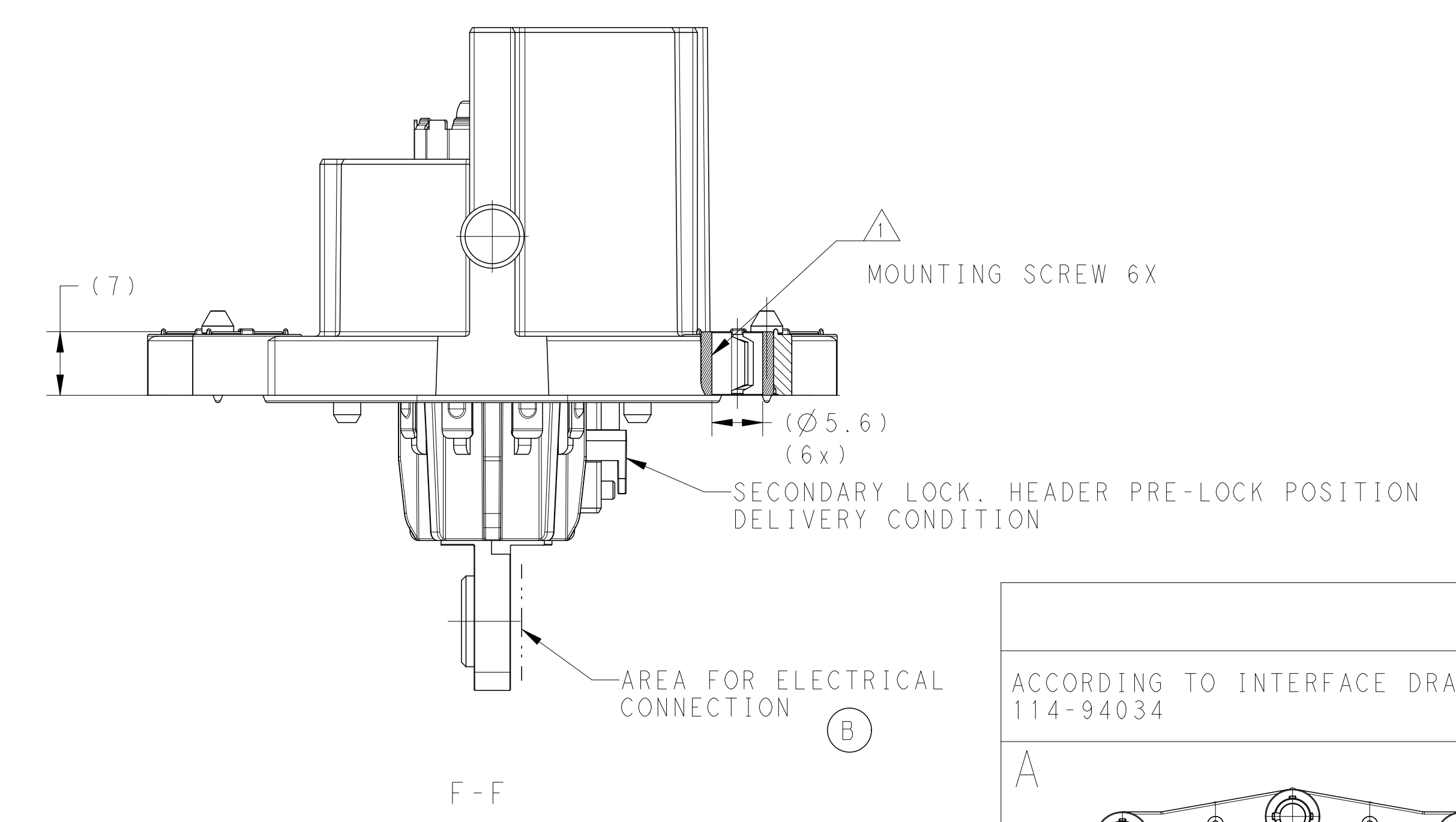
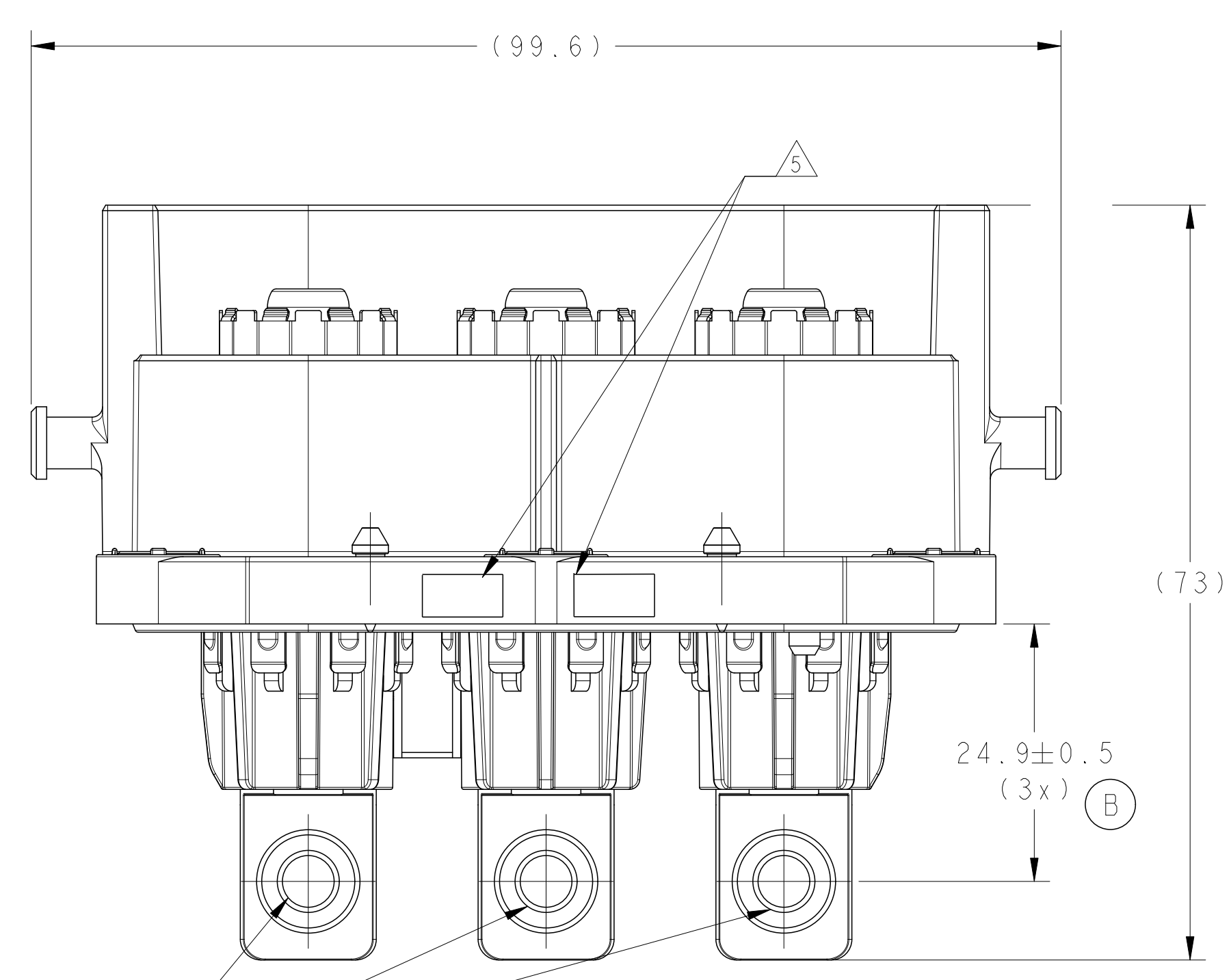
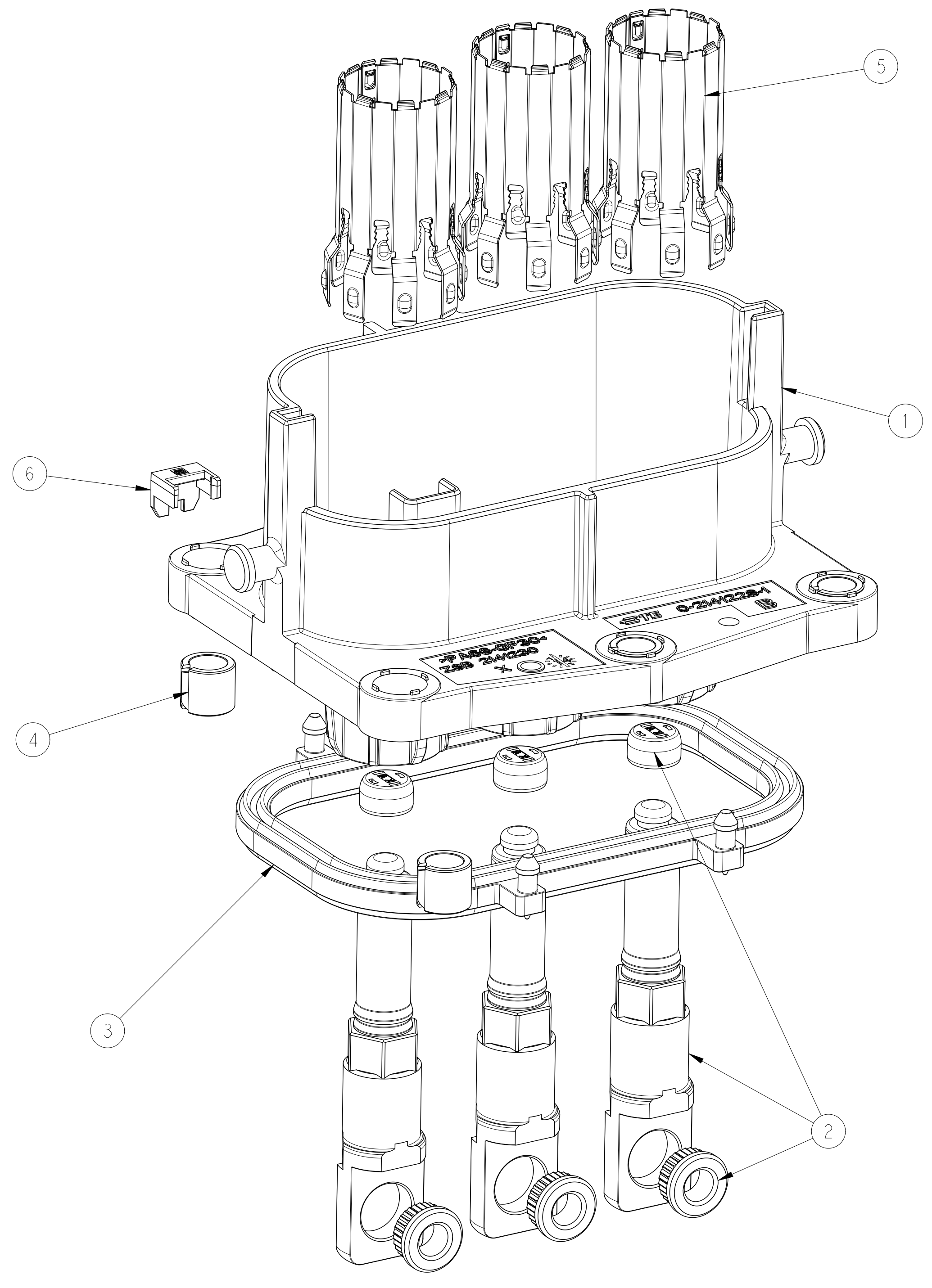


REVISIONS				
P	LV	DESCRIPTION	DATE	BY
A		RELEASED	29APR16	RZ LY
B		REVISED ECO-16-010968	22SEP14	RZ LY



- NOTES:
- △ MOUNTING SCREW Ø5MM WITH MINIMUM SCREWHEAD Ø10MM. MAXIMUM SCREWHEAD Ø12MM. RECOMMENDED TIGHTENING TORQUE OF THE SCREW 6±0.5NM. THREAD ENGAGEMENT ACCORDING TO TE-DRAWING NO: 114-94032
 - △ RECOMMENDED TIGHTENING TORQUE OF THE SCREW M6:8±1NM. A SCREW RETENTION WILL RECOMMENDED
 - 3. SUITABLE SECONDARY LOCK FOR HVIL-CONTACTS: TE-ORDER-NO 2177966
 - 4. ELECTRICAL TEST ACC. TO LV123 "ELECTRICAL CHARACTERISTICS AND ELECTRICAL SAFETY FOR HIGH VOLTAGE COMPONENTS"
 - △ AREA FOR MARKING "OK PARTS"
 - △ ASSEMBLY P/N
 - △ PRODUCTION CODE (D/WW/YY/REV.)
 - △ CAVITY IDENTIFICATION

NOTE	FEATURE	TE P/N 90 DEG	TE P/N 180 DEG
9	MATING CONNECTOR: 3POS. 8MM HV. REC HSG. ASSY, SEALED	2141167 2282335	114-94130 2177062
10	INTERFACE DRAWING 2P/3P HV. CAT.2	114-94034	
11	INTERFACE DRAWING ADAPTER PLATE 2P/3P HV 90DEG/180DEG CATEGORY 2	114-94032	
△ 12	PRODUCT SPEC.	108-94268	108-94297
△ 13	APPLICATION SPEC.	114-94153	
14	SUITABLE HVIL-CONTACTS	1418760-3	



CODING	
ACCORDING TO INTERFACE DRAWING: 114-94034	ACCORDING TO INTERFACE DRAWING: 114-94032
A	A
B	B

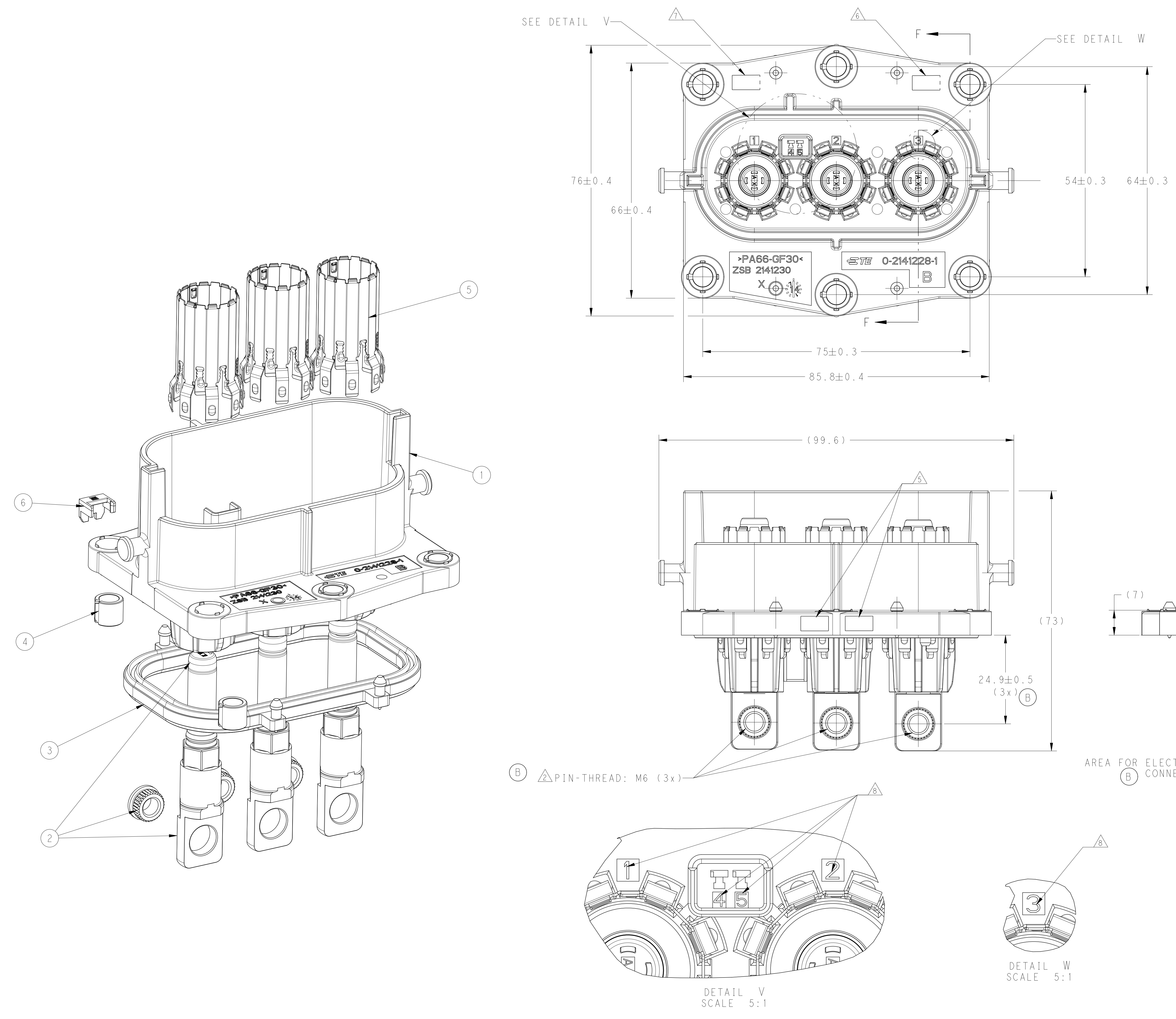
TE P/N	CODING	DESCRIPTION	DESCRIPTION	MATERIAL	SURFACE COLOR	QTY	ITEM
2293577-2	B	HVP800 3P HEADER ASSY BUSBAR VERSION	SECONDARY LOCK, HVIL, HEADER	PA6-(GF10+GB20)	DUSTY GRAY	1	6
			SHIELD SLEEVE	Cu - ALLOY	SILVER PLATED	3	5
			COMPRESSION DELIMITER, HV HEADER	DC01	ZnNi-PLATING	6	4
			AXIAL SEAL	MVO	NATURE	1	3
			PIN DIA 8.0 CONTACT	Cu - ALLOY	SILVER PLATED	3	
			PROTECTION COVER	PA6-(GF10+GB20)	NATURE	3	2
			NUT	Cu - ALLOY	BLANK	3	
			HVP800 3P HEADER, COD. B	PA66-GF30	ORANGE	1	1
2293577-1	A	HVP800 3P HEADER ASSY BUSBAR VERSION	SECONDARY LOCK, HVIL, HEADER	PA6-(GF10+GB20)	DUSTY GRAY	1	6
			SHIELD SLEEVE	Cu - ALLOY	SILVER PLATED	3	5
			COMPRESSION DELIMITER, HV HEADER	DC01	ZnNi-PLATING	6	4
			AXIAL SEAL	MVO	NATURE	1	3
			PIN DIA 8.0 CONTACT	Cu - ALLOY	SILVER PLATED	3	
			PROTECTION COVER	PA6-(GF10+GB20)	BLACK	3	2
			NUT	Cu - ALLOY	BLANK	3	
			HVP800 3P HEADER, COD. A	PA66-GF30	ORANGE	1	1

- 1 AS SHOWN

THIS DRAWING IS A CONTROLLED DOCUMENT. DATE: 27APR2016. DRAWN BY: ZHANG. CHECKED BY: X.L.L. APPROVED BY: Y.H. PRODUCT SPEC: APPLICATION SPEC. CUSTOMER DRAWING: A0. SCALE: 2:1. SHEET 1 OF 2. REV B.

STC TE Connectivity
 HVP800 3P HEADER ASSY BUSBAR VERSION

REVISIONS				
REV	DATE	DESCRIPTION	BY	APP'D
-	-	SEE SHEET 1	-	-



CODING	
ACCORDING TO INTERFACE DRAWING: 114-94034	ACCORDING TO INTERFACE DRAWING: 114-94032
A	A
B	B

TE P/N	CODING	DESCRIPTION	MATERIAL	SURFACE COLOR	QTY	ITEM
1-2293577-2	B	SECONDARY LOCK, HVIL, HEADER	PA6-(GF10+GB20)	DUSTY GRAY	1	6
		SHIELD SLEEVE	Cu - ALLOY	SILVER PLATED	3	5
		COMPRESSION DELIMITER, HV HEADER	DC01	ZnNi-PLATING	6	4
		AXIAL SEAL	MVQ	NATURE	1	3
		PIN DIA 8.0 CONTACT	Cu - ALLOY	SILVER PLATED	3	
		PROTECTION COVER	PA6-(GF10+GB20)	NATURE	3	2
		NUT	Cu - ALLOY	BLANK	3	
		HVP800 3P HEADER, COD. B	PA66-GF30	ORANGE	1	1
1-2293577-1	A	SECONDARY LOCK, HVIL, HEADER	PA6-(GF10+GB20)	DUSTY GRAY	1	6
		SHIELD SLEEVE	Cu - ALLOY	SILVER PLATED	3	5
		COMPRESSION DELIMITER, HV HEADER	DC01	ZnNi-PLATING	6	4
		AXIAL SEAL	MVQ	NATURE	1	3
		PIN DIA 8.0 CONTACT	Cu - ALLOY	SILVER PLATED	3	
		PROTECTION COVER	PA6-(GF10+GB20)	BLACK	3	2
		NUT	Cu - ALLOY	BLANK	3	
		HVP800 3P HEADER, COD. A	PA66-GF30	ORANGE	1	1
TE P/N	CODING	DESCRIPTION	MATERIAL	SURFACE COLOR	QTY	ITEM

THIS DRAWING IS A CONTROLLED DOCUMENT. DATE: 27APR2016
 DIMENSIONS: UNLESS OTHERWISE SPECIFIED, DIMENSIONS ARE IN MILLIMETERS.
 TOLERANCES: ±0.15
 SURFACE FINISH: R0.8
 MATERIAL: PA66-GF30
 DRAWN: J. ZHANG
 CHECKED: X.X.LL
 APPROVED: Y.Y.Y.Y
 PRODUCT SPEC: HVP800 3P HEADER ASSY BUSBAR VERSION
 APPLICATION SPEC: A0
 CUSTOMER DRAWING: A0
 SCALE: 1:1
 SHEET: 2 of 2
 REV: B

1 - 1 AS SHOWN