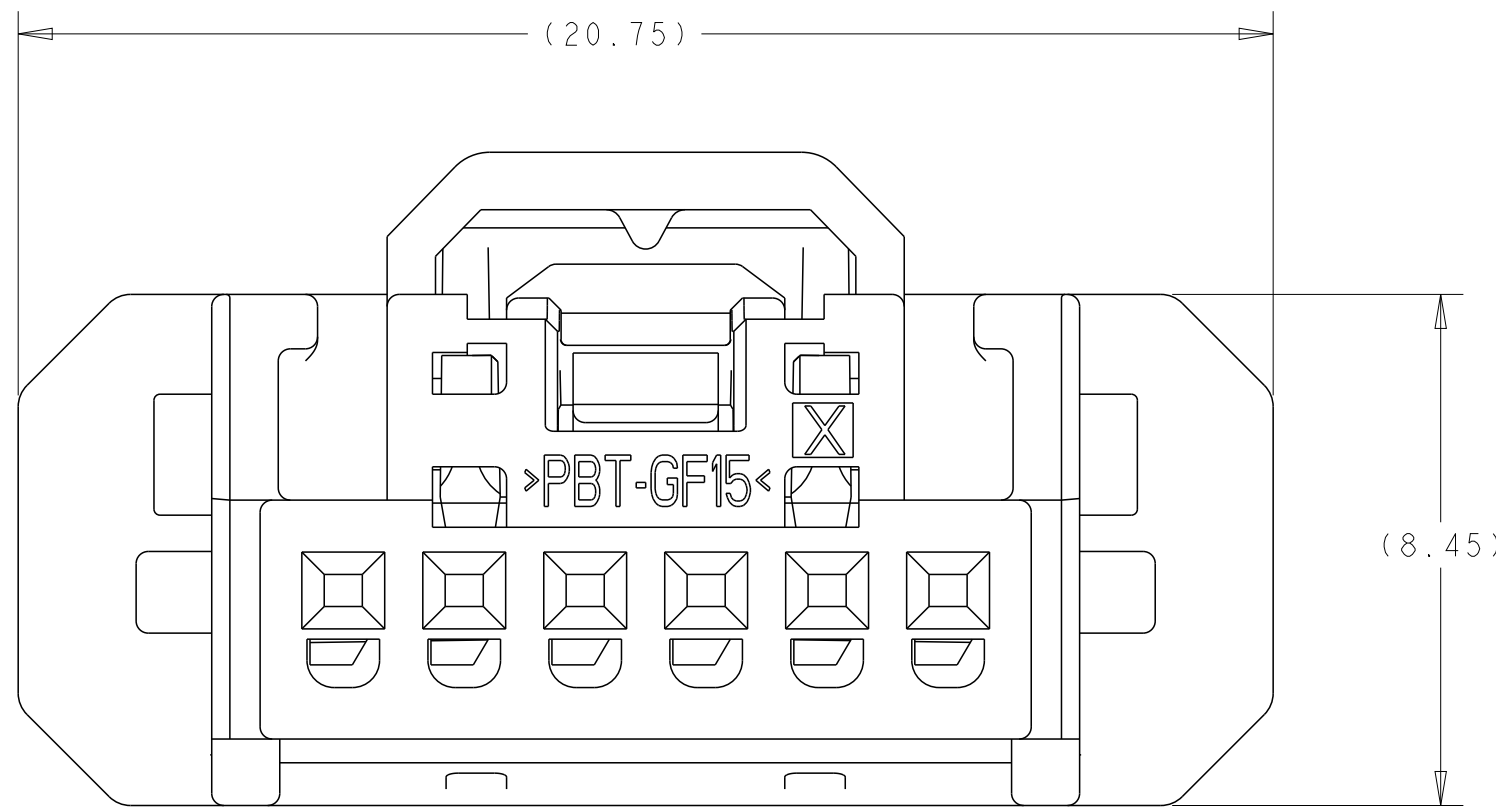
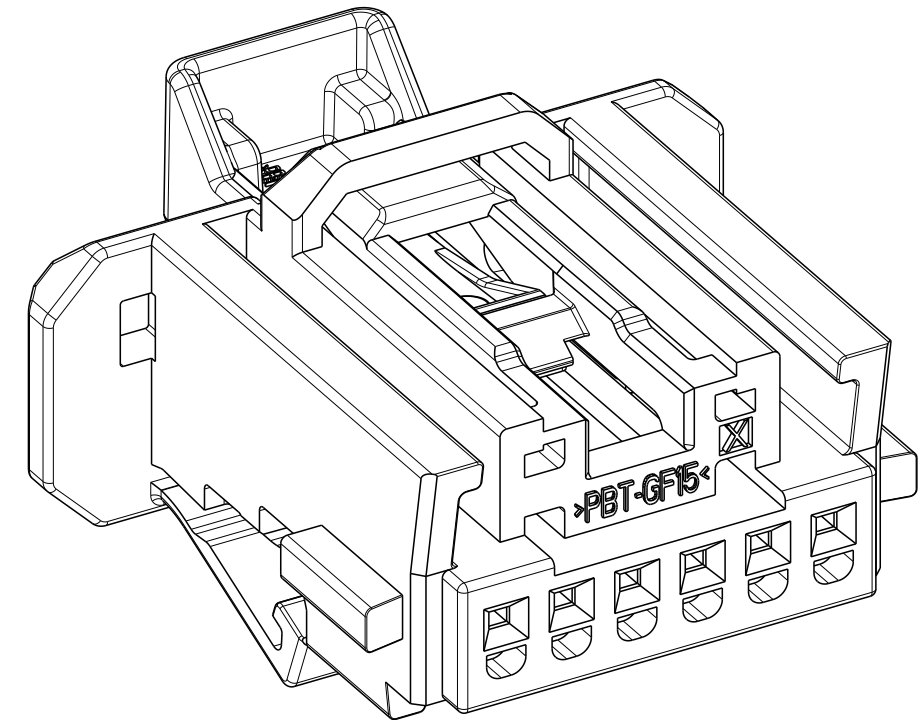


REVISIONS				
P	LTN	DESCRIPTION	DATE	APVD
A	ECN-21-112269		09AUG2021	AB C.J
A1	ECN-22-156026		17JUN2022	PB DW

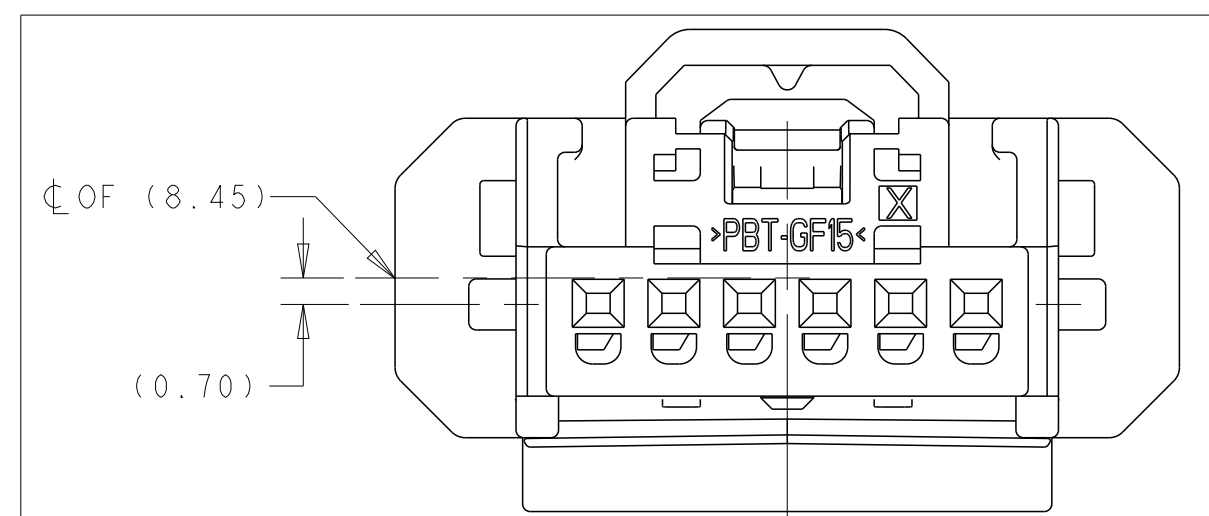


REF VIEW
ISL SHOWN CLOSED
SCALE 8:1

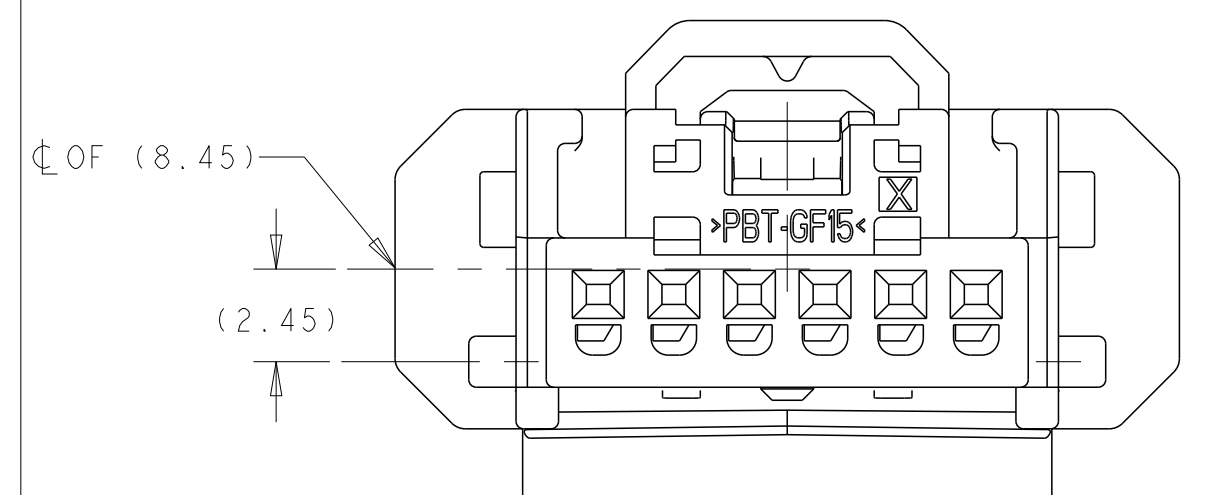
- 1. MATERIAL: PLUG HOUSING - PBT, 15% GLASS FILLED - COLOR; BLACK
CPA - PBT, 15% GLASS FILLED - COLOR; RED
- 2. ALL DIMENSIONS SHOWN ON THIS DRAWING ARE REFERENCE ONLY.
- 3. THIS CONNECTOR HAS BEEN VALIDATED TO GMW3191, REV 2012 TEMP CLASS 2, VIBRATION CLASS 1.
- 4. CONNECTOR COMPLIES WITH USCAR-25, REV 1, CLASS 2
- 5. FEMALE TERMINAL PART NUMBERS
2272196-1 0.13mm2 WIRE
2272196-2 0.35mm2 WIRE
- 6. WIRE DRESS IS SOLD SEPERATELY
- 7. CPA SHOWN IN PRE-STAGED, AS SHIPPED POSITION.
- 8. NOTE DELETED.
- 9. NOTE DELETED.



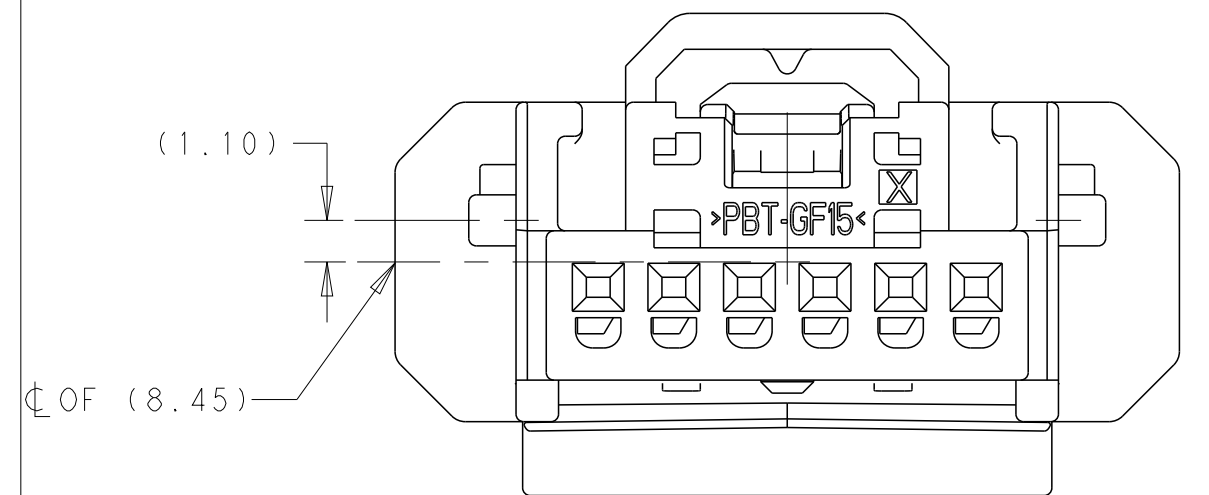
REF VIEW
SCALE 5:1



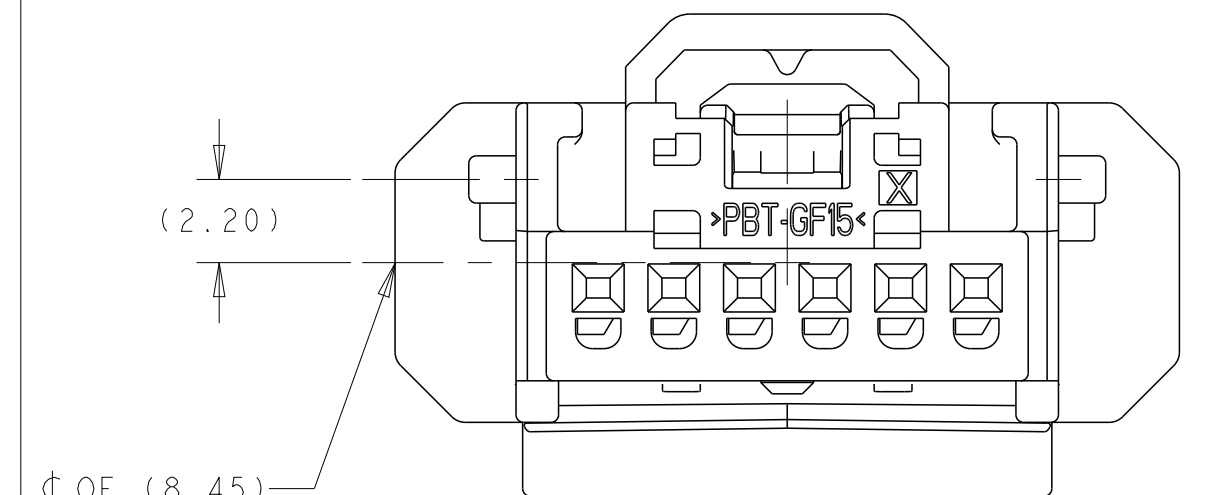
KEY CODE A-RELEASED
SCALE 5:1



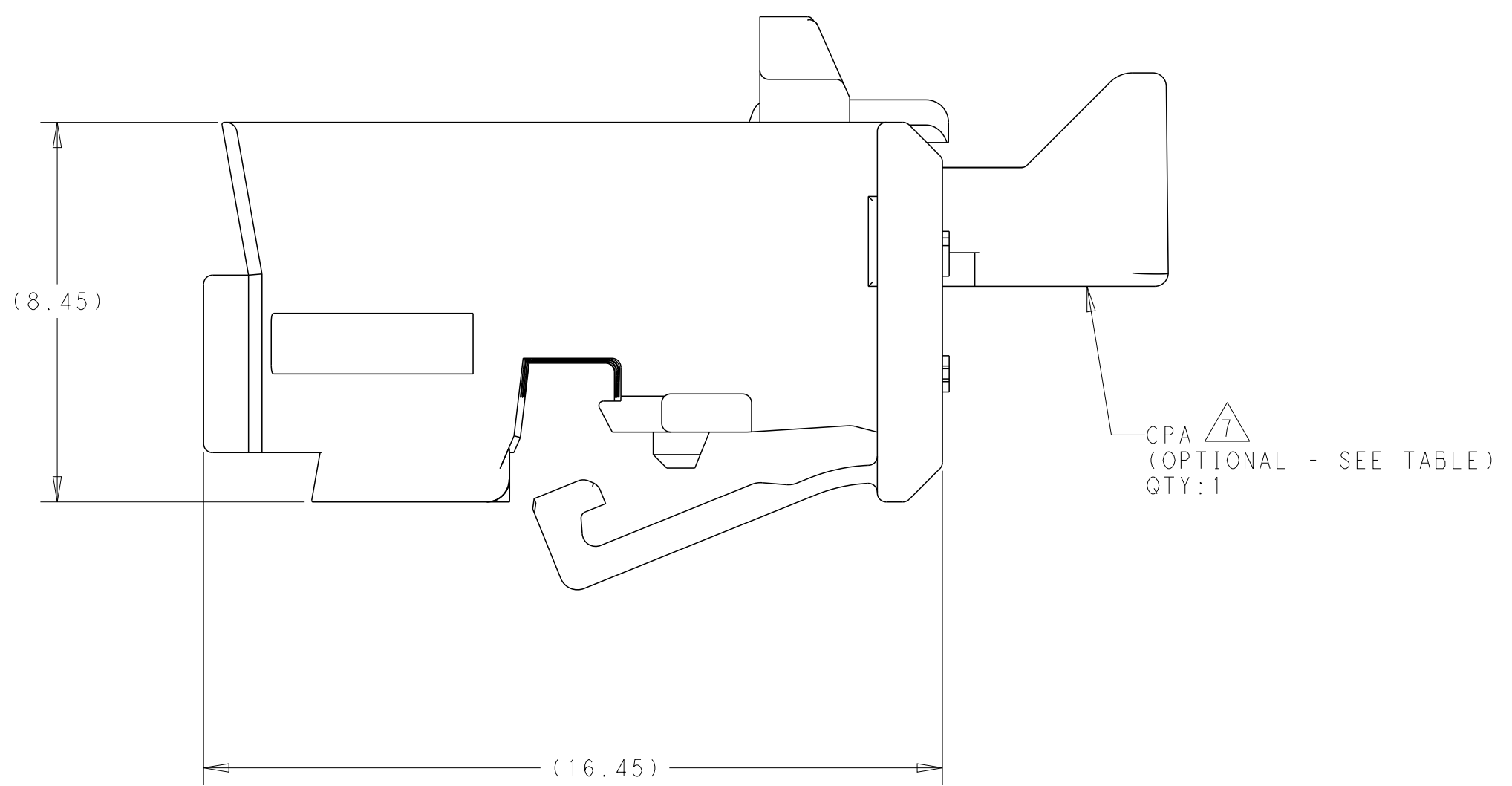
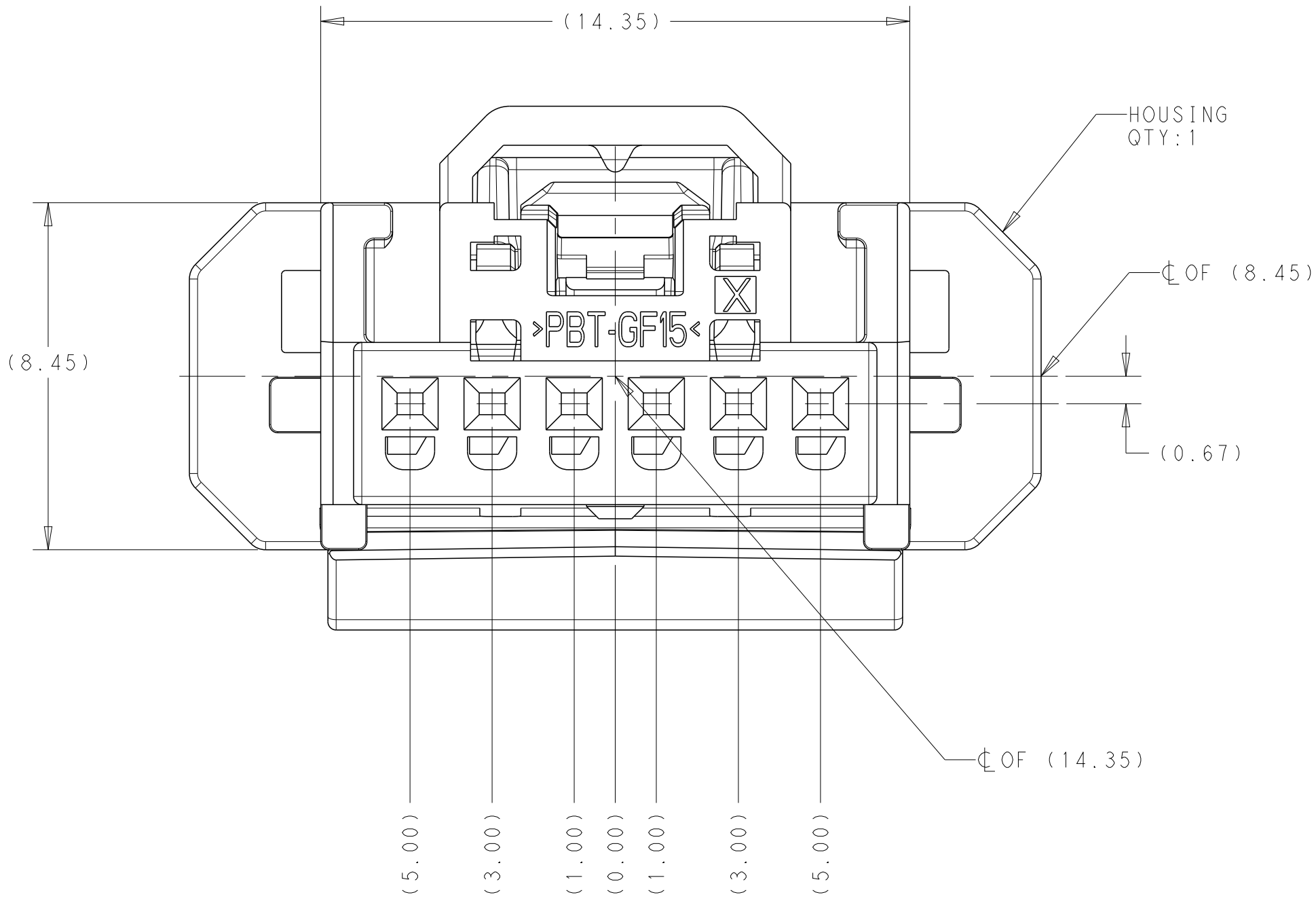
KEY CODE B-NOT TOOLED, NOT TESTED
SCALE 5:1



KEY CODE C-NOT TOOLED, NOT TESTED
SCALE 5:1



KEY CODE D-NOT TOOLED, NOT TESTED
SCALE 5:1



WEIGHT	CPA	HOUSING	PART NUMBER
1.7 g	YES	KEY CODE D	2292884-8
1.7 g	YES	KEY CODE C	2292884-7
1.7 g	YES	KEY CODE B	2292884-6
1.7 g	YES	KEY CODE A	2292884-5
1.6 g	NO	KEY CODE D	2292884-4
1.6 g	NO	KEY CODE C	2292884-3
1.6 g	NO	KEY CODE B	2292884-2
1.6 g	NO	KEY CODE A	2292884-1

THIS DRAWING IS A CONTROLLED DOCUMENT.

TE Connectivity

PLUG ASSEMBLY, 6 POSN, 2.00 CENTERLINE, UNSEALED, US 050 LL

408-32257

SCALE 6:1 SHEET 1 OF 1 REV A1