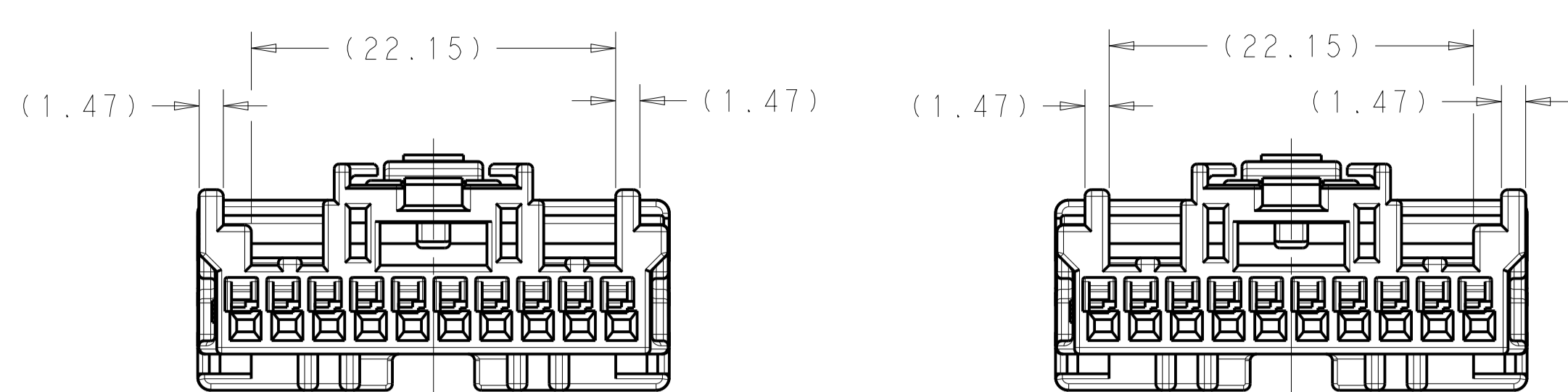
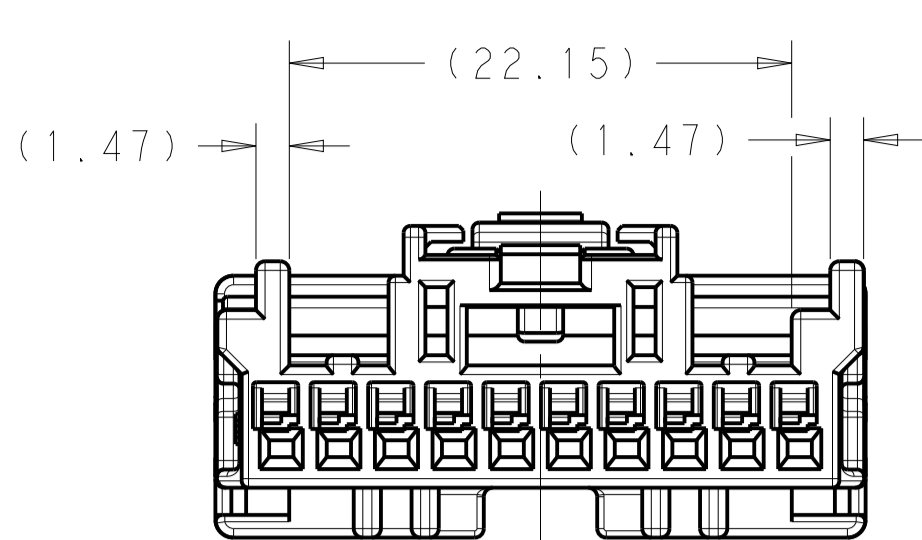


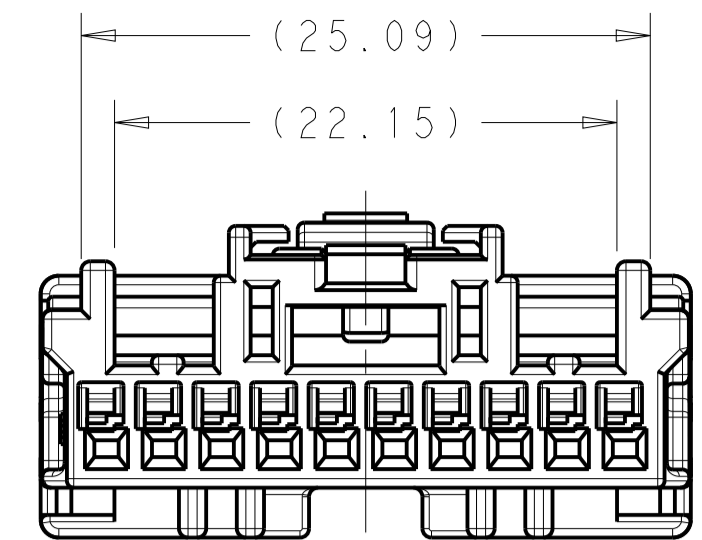
REVISIONS				
REV	LTN	DESCRIPTION	DATE	APPROV
A		RELEASED PER ECO-15-011068	09OCT2015	DLD CJS
A1		RELEASED PER ECO-21-004353	23APR2021	SMR CS



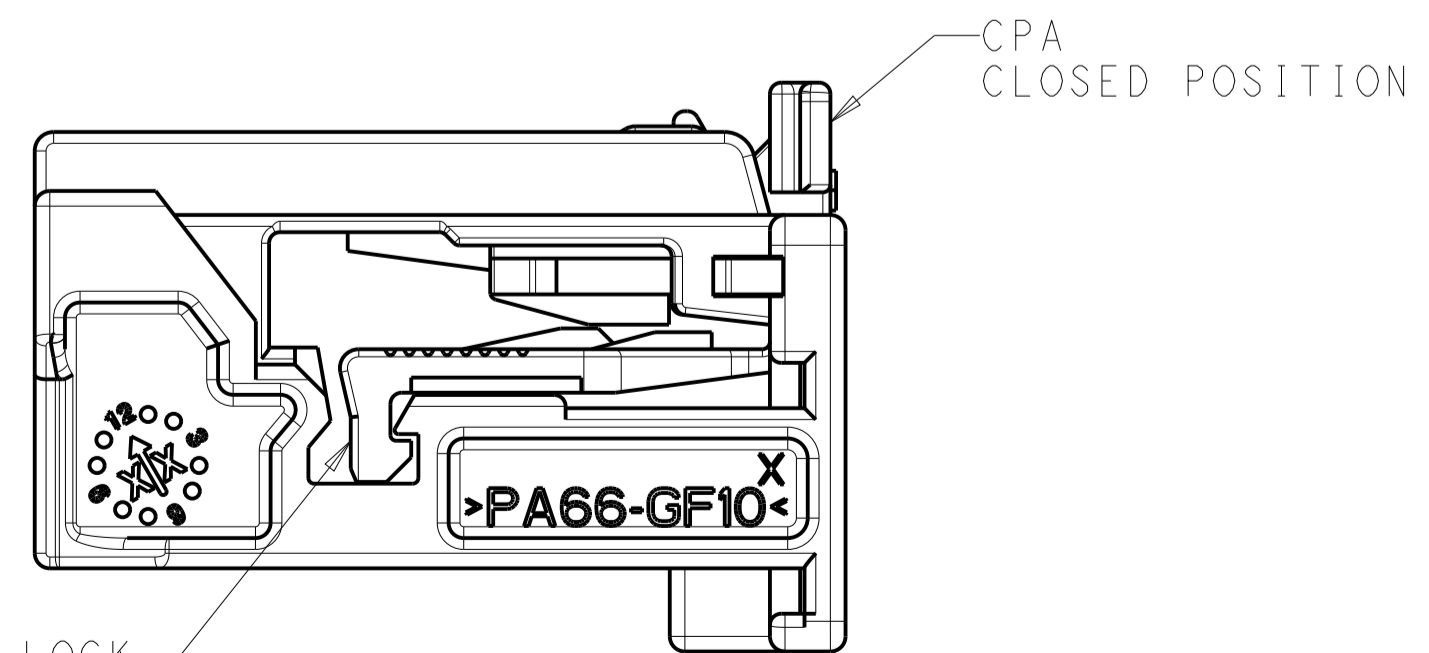
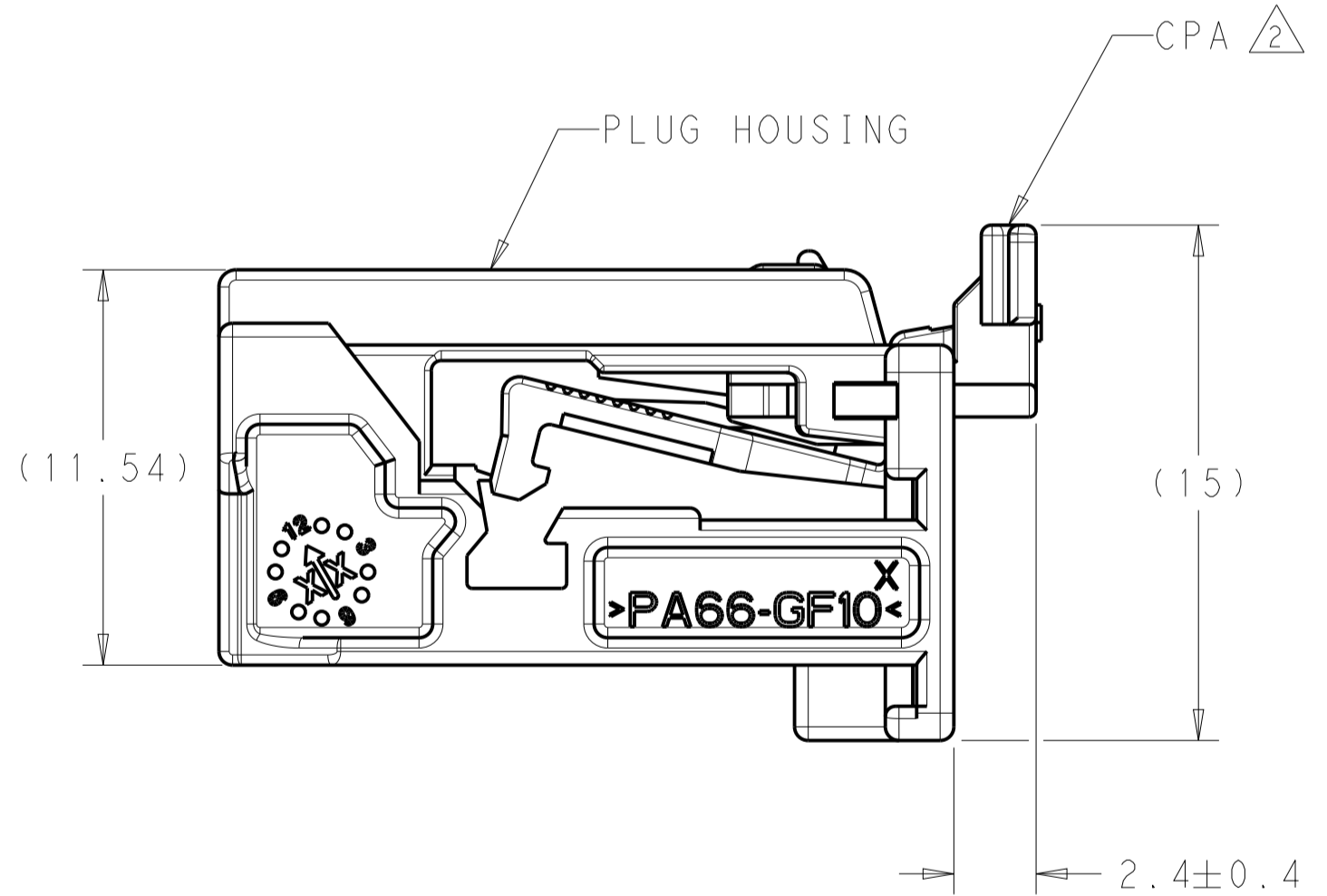
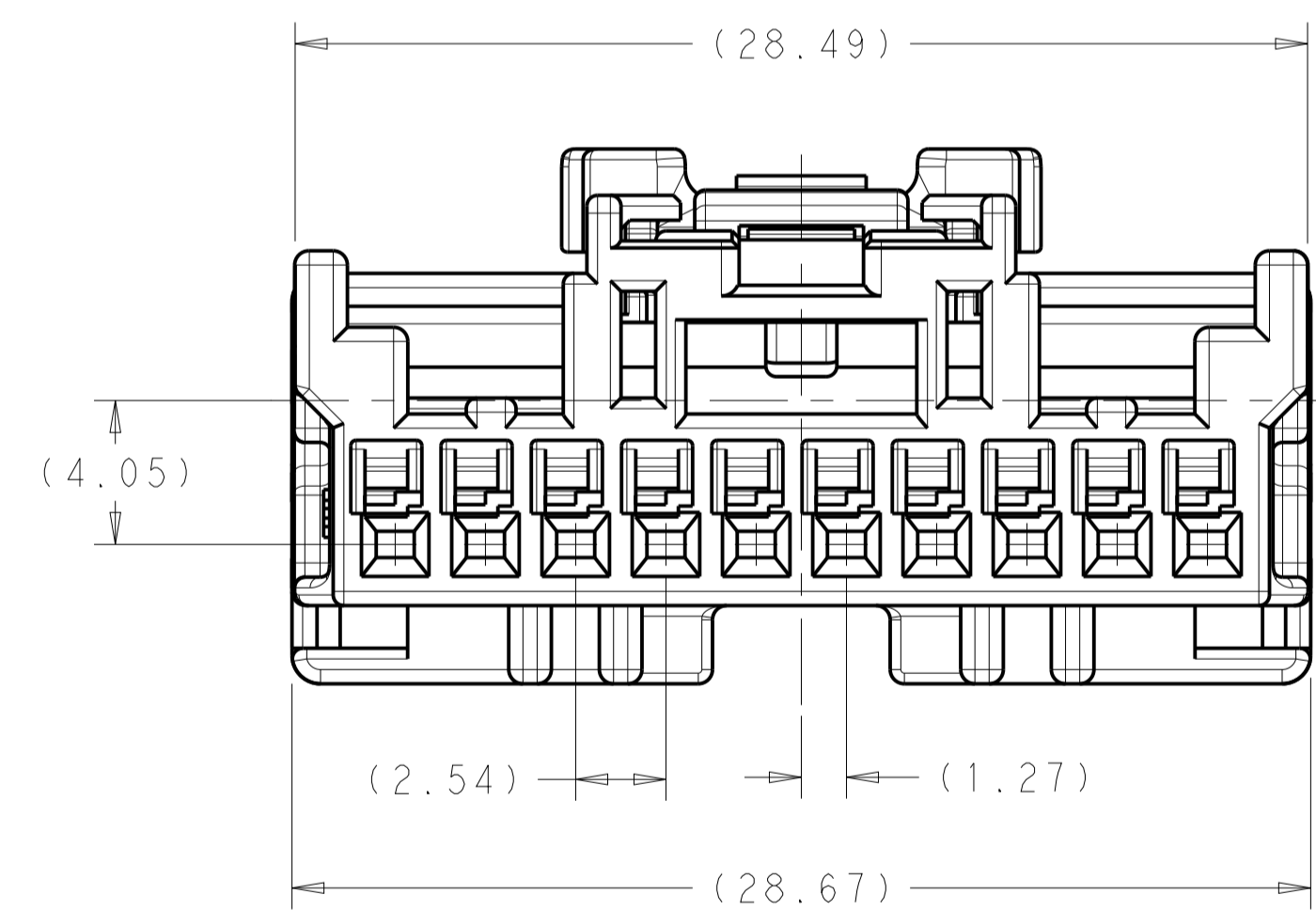
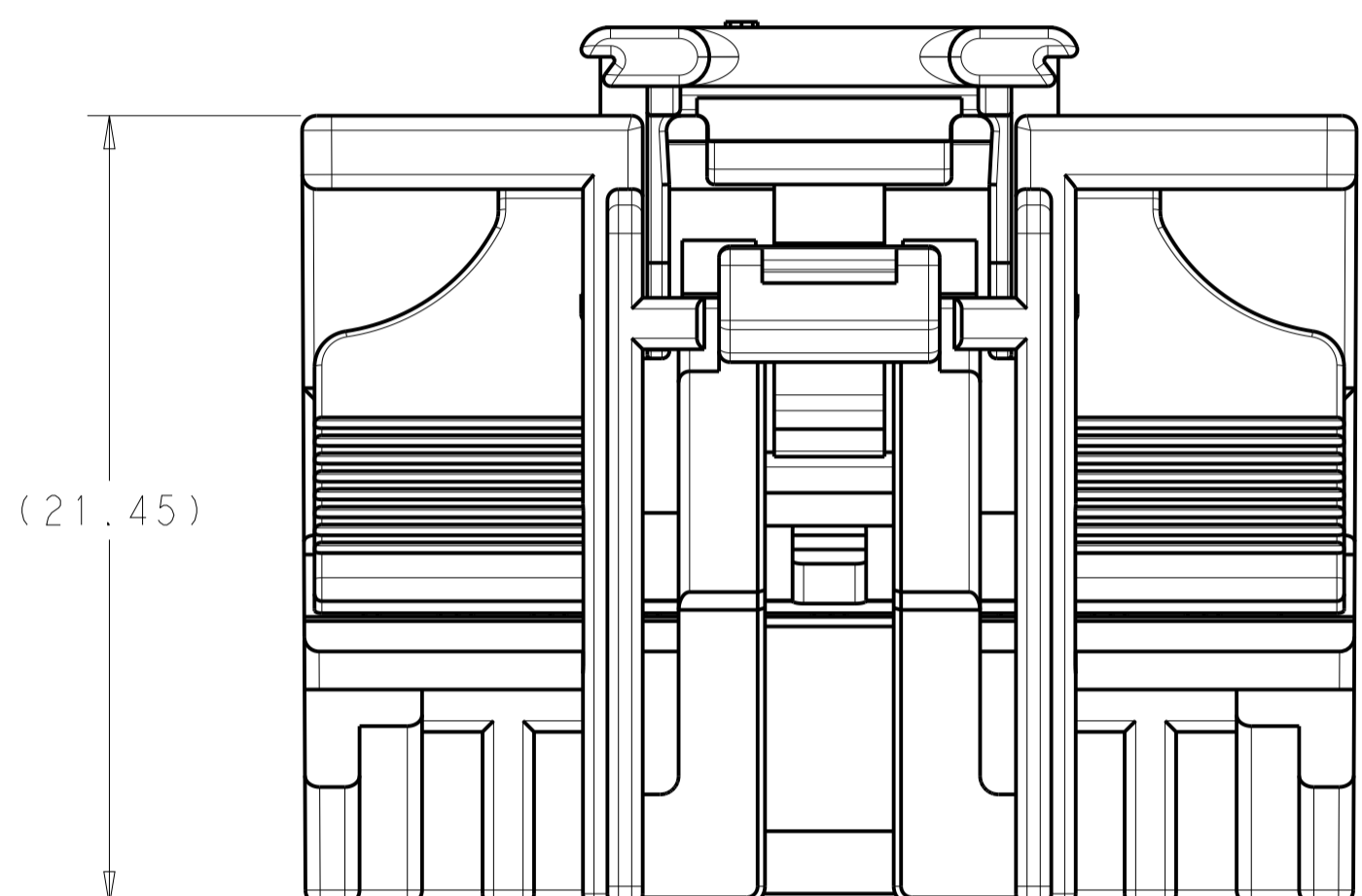
KEYING OPTION B  
SCALE 3:1



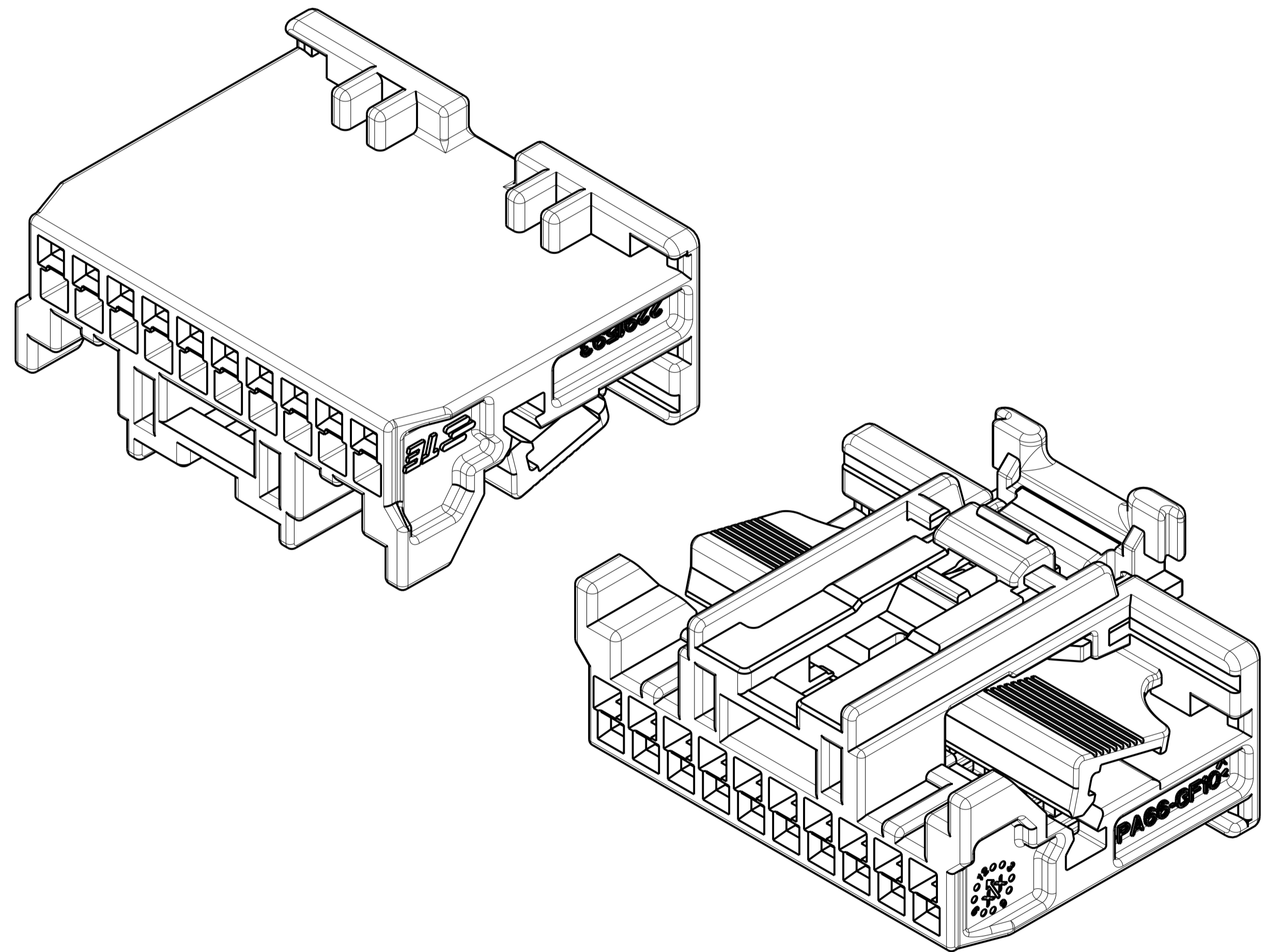
KEYING OPTION D  
SCALE 3:1



KEYING OPTION F  
SCALE 3:1



2291594-1 AS ASSEMBLED



- △ MATERIAL: PLUG HOUSING - PA66, 10% GLASS FILLED, NATURAL (BROWN)  
CPA - PA66, 35% GLASS FILLED, NATURAL (WHITE).
- △ CPA SHOWN IN PRE-STAGED, AS SHIPPED, POSITION.
- 3. PLUG ASSEMBLY MATES WITH USCAR INTERFACE DRAWING 064-U-010-1-Z04, REVISION LEVEL C.
- 4. PLUG ASSEMBLY WILL ACCEPT THE FOLLOWING TERMINAL PART NUMBERS BASED ON ENVIRONMENT DEFINITION:  
2035170-1, 2035170-2 (FOR CONNECTOR ENVIRONMENTS T3 AND BELOW)  
AND 2098165-1, 2098165-2 (FOR TRANSMISSION SPECIFIC ENVIRONMENTS WITH TEMPERATURE RATING OF T3 TRANSMISSION).  
THE MAXIMUM ALLOWABLE INSULATION DIAMETER IN ANY CASE IS 1.65mm.
- △ PART NUMBERS MARKED AS PRELIMINARY HAVE NOT BEEN RELEASED PER FORMAL QUALIFICATIONS.
- 6. ASSEMBLY IS SHIPPED WITH SECONDARY LOCK IN THE PRE-LOCK POSITION AS SHOWN. SECONDARY LOCK MAY CLOSE INADVERTENTLY DURING SHIPPING. IF THIS OCCURS, RELOCATE SECONDARY LOCK TO THE OPEN POSITION PRIOR TO INSERTION OF TERMINALS. SEE INSTRUCTION SHEET 408-32069 FOR OTHER DETAILED ASSEMBLY INSTRUCTIONS.

NO	RELEASED	KEYING OPTION	PART NUMBER
YES	PRELIMINARY	F	2291594-4
YES	PRELIMINARY	D	2291594-3
YES	PRELIMINARY	B	2291594-2
YES	RELEASED	A	2291594-1
CPA	AVAILABILITY	KEYING OPTION	PART NUMBER

2291594-1 AS SHOWN

THIS DRAWING IS A CONTROLLED DOCUMENT.		OWN: D. DRUMMOND 19MAR2015	TE Connectivity ASSEMBLY, 10 POSITION, SINGLE PIECE, GENERATION Y
DIMENSIONS: mm		CHK: D. BROWN 19MAR2015	
TOLERANCES UNLESS OTHERWISE SPECIFIED:		APVD: C. SCHMID 19MAR2015	RESTRICTED TO
0 PLC	±	PRODUCT SPEC	SIZE: CAGE CODE: DRAWING NO:
1 PLC	±0.3	APPLICATION SPEC	SCALE: 5:1 SHEET 1 OF 1 REV: A1
2 PLC	±0.10	WEIGHT	
3 PLC	±	CUSTOMER DRAWING	
4 PLC	±		
ANGLES	±		
MATERIAL	FINISH		