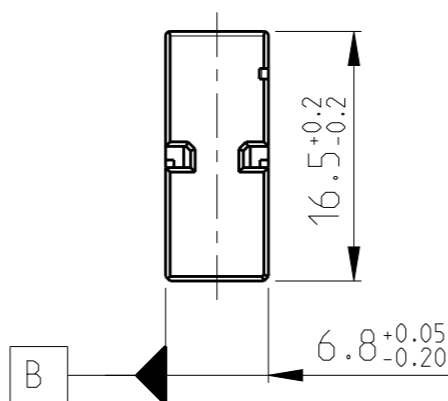
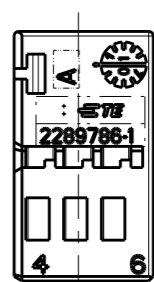
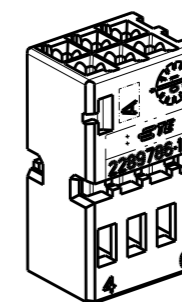
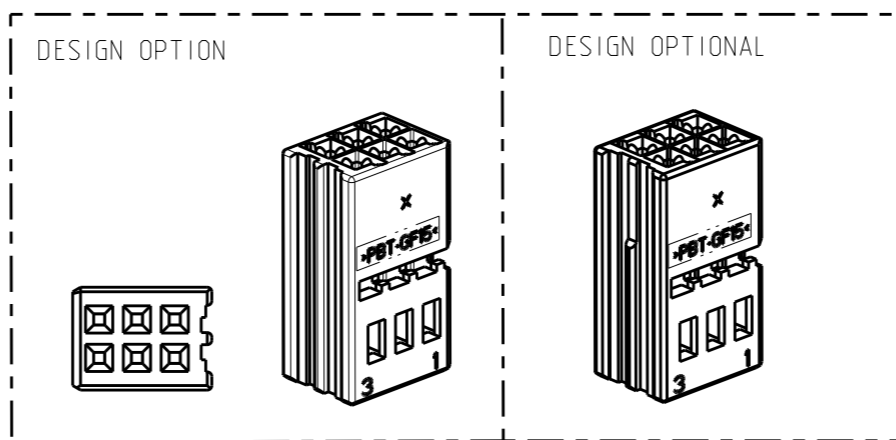
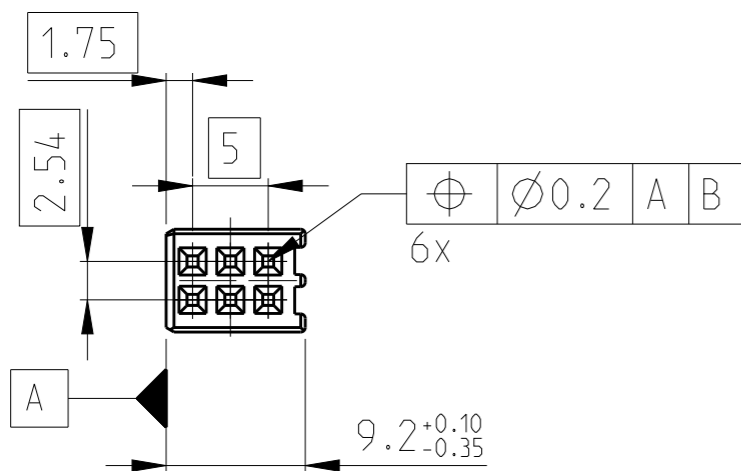


REVISIONS					
P	LTR	DESCRIPTION	DATE	DWN	APVD
	A	NEW DRAWING RELEASED	21JAN15	TD	SW



NOTES

- 1 SUITABLE COVERS: 1534121, 1534123,
- 2 SUITABLE CONTACTS: 928999, 963715

0-2289786-2	A	PBT-GF15	NATURE	I	I
0-2289786-1	A	PBT-GF15	BLACK	I	I
ORDER-NO.	REV.	MATERIAL	COLOUR	QTY.	ITEM NO.

THIS DRAWING IS A CONTROLLED DOCUMENT.		DWN T.DONG 07JAN2015	TE Connectivity REC. HSG., 2x3POSN., MQS					
DIMENSIONS: mm		CHK H.YE 15JAN2015				NAME		
TOLERANCES UNLESS OTHERWISE SPECIFIED:		APVD S.WANG 21JAN2015				SIZE CAGE CODE DRAWING NO RESTRICTED TO		
0 PLC ± ACC. TO 1 PLC ± DIN 16901-140 2 PLC ± CENTRIC TO 3 PLC ± NOMINAL DIM 4 PLC ± ANGLES ±2°		PRODUCT SPEC -	A3 00779 C=2289786					
MATERIAL SEE TABLE		FINISH SEE TABLE	WEIGHT -	SCALE 2:1 SHEET 1 OF 1 REV A				
Customer Drawing								