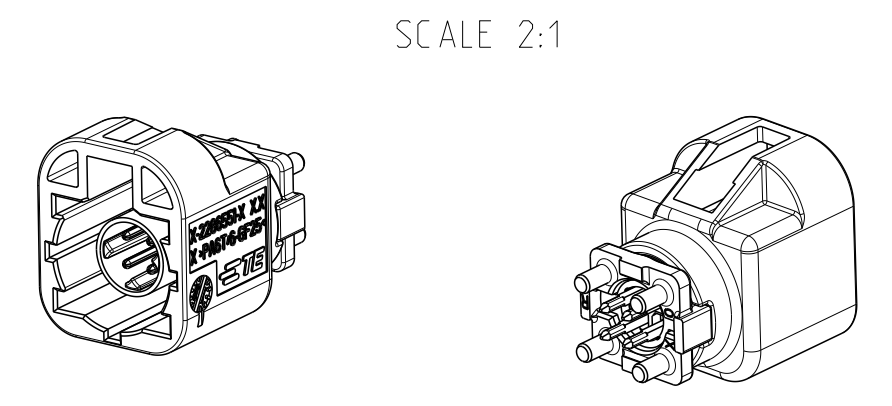
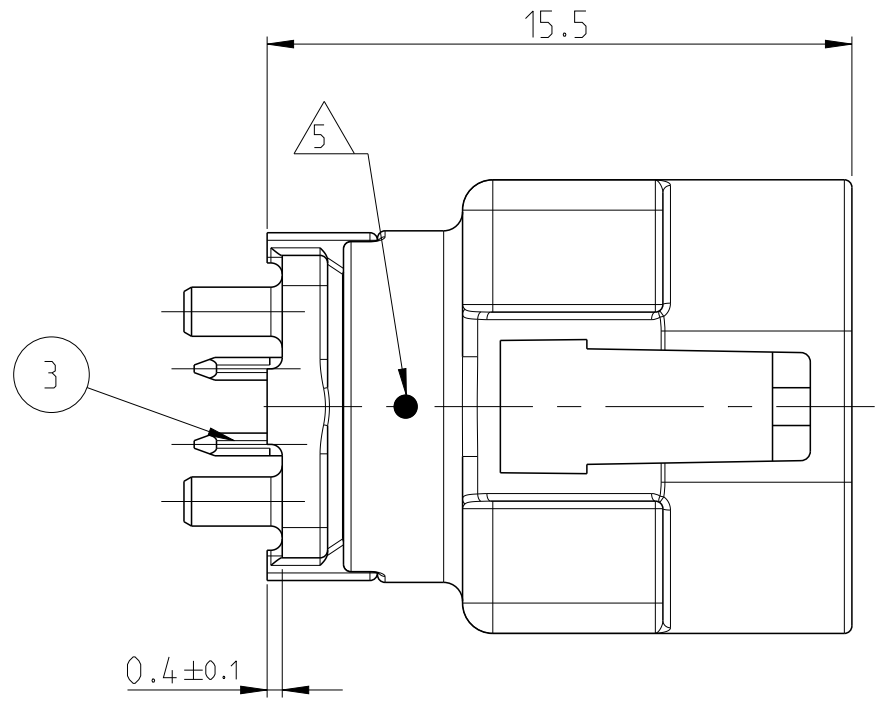
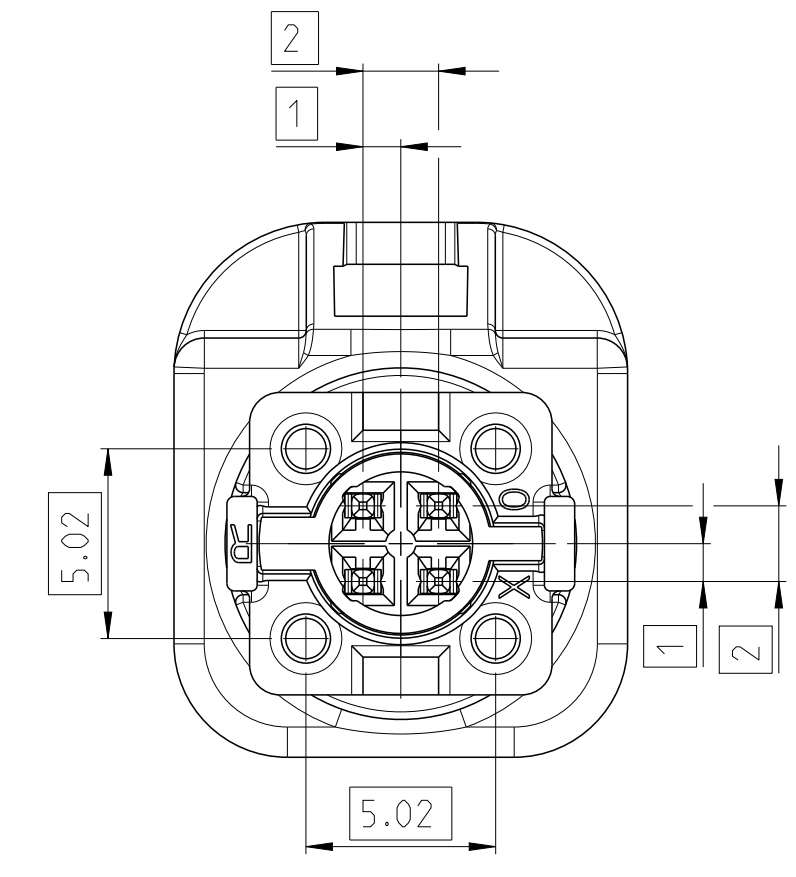
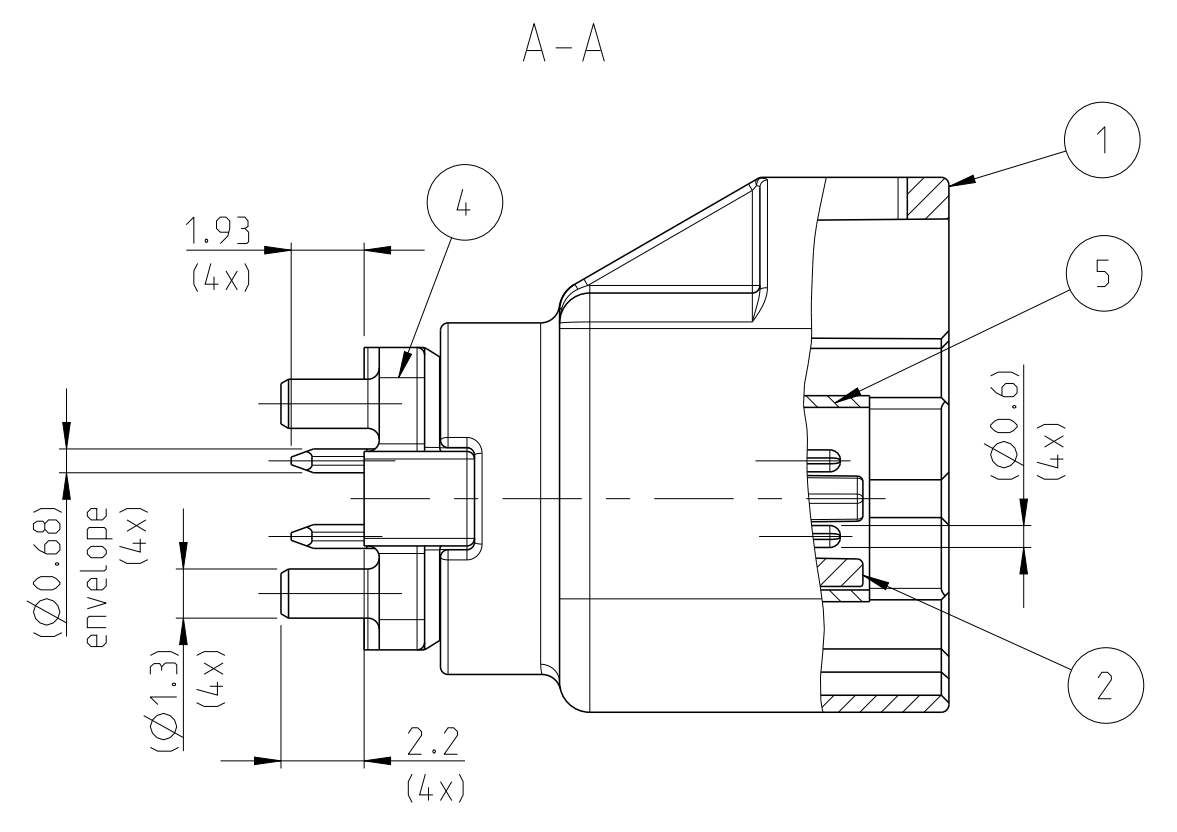
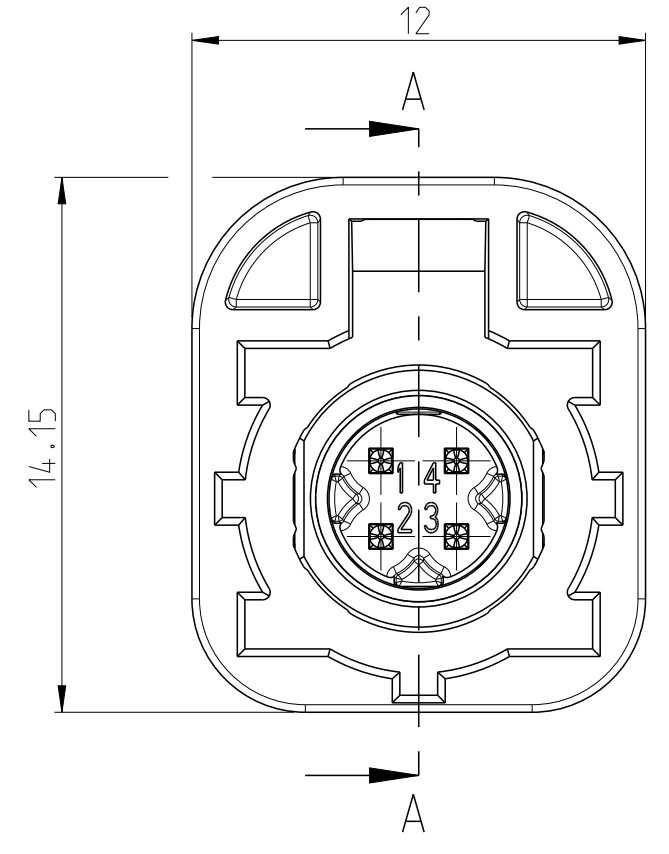


LOC	DIST	REVISIONS					
		P	LTN	DESCRIPTION	DATE	DMN	APVD
		A		NEW DRAWING	13JUL2015	AL	MR
		C		ECR-18-008884	11JUN2018	MW	MR
		C1		ECR-19-013099	26AUG2019	YC	DF

CODINGS 2:1							SIDE VIEW
CODE A	CODE B	CODE C	CODE D	CODE E	CODE F	CODE Z	
CODE G	CODE H	CODE J	CODE K	CODE L	CODE M	CODE O	



- NOTES  
Bemerkung
- ONLY THE GERMAN LANGUAGE SHALL BE BINDING  
Massgebend ist der deutsche Text
  - DETAILS OF DESIGN ARE LEFT TO TE CONNECTIVITY  
Einzelheiten der Ausführung bleiben TE CONNECTIVITY ueberlassen
  - HSD INTERFACE ACC. TO TE SPEC. 114-18950  
HSD Schnittstelle nach TE-Spez. 114-18950
  - PACKAGING TAPE AND REEL  
Verpackung Blistergurt
  - MARKING OF 100% TEST PASSED  
Gutteilmarkierung nach bestandener 100% Pruefung
  - FOR FITTING HSD CONNECTOR PLEASE CONTACT TE CONNECTIVITY.  
Fuer passenden gegenstecker bitte TE Connectivity kontaktieren.
  - ALL DIMENSIONS IN BRACKETS () FOR INFORMATION ONLY  
Alle Masse in Klammern () nur zur Information
  - PCB LAYOUT ACCORDING TO TE SPEC. 114-94381  
Platinenlayout nach TE-Spez. 114-94381
- WEIGHT [g]: 2.74  
Gewicht [g]: 2.74
- AS SHOWN / wie gezeigt Codierung Z

QTY	CODE	DESCRIPTION	MATERIAL	FINISH COLOUR, SIMILAR RAL	ITEM NO
1		SHIELDING TUBE Schirmrohr	Cu-DHP	INTERFACE SIDE: NICKEL PLATING MIN. 3-6 µm Steckseite: Vernickelung min. 3-6 µm	5
1		SHIELDING BODY Schirmgehäuse	ZnAl4Cu1	SOLDER SIDE: TIN PLATING Lotseite: Verzinnung	4
4		CONTACT PIN Kontaktpin	CuSn4	SOLDER SIDE: TIN PLATING MIN 3µm Lotseite: Verzinnung min. 3µm INTERFACE SIDE: GOLD PLATING Steckseite: Vergoldet	3
1		CAVITY BLOCK Kontakttraeger	PA4T-GF30 or alternative	BLACK	2
1	D	CODING COVER Kodierkappe	PA6T/6-GF25	LIGHT GREEN. 6027	1
1	M			PASTEL ORANGE. 2003	
1	L			YELLOW GREEN. 6018	
1	K			CURRY. 1027	
1	J			BEIGE. 1001	
1	H			HEATHER VIOLET. 4003	
1	G			BLuish GREY. 7031	
1	Z			WATER BLUE. 5021	
1	F			NUT BROWN. 8011	
1	E			LEAF GREEN. 6002	
1	D	CLARET VIOLET. 4004			
1	C	SIGNAL BLUE. 5005			
1	B	CREAM WHITE. 9001			
1	A	JET BLACK. 9005			

SERIAL	0	1	2	3	4	5	6	7	8	9	0	1	2	3	4	5	6	7	8	9	ASSY NO. X-2288754-Y
	A	B	C	D	E	F	Z	G	H	J	K	L	M	O	ASSY CODE						
	C	C	C	C	C	C	C	C	C	C	C	C	C	C	REVISION						

THIS DRAWING IS A CONTROLLED DOCUMENT.

DMN: M. Walter 12NOV2014  
 CHK: M. Reinhardt 12NOV2014

DIMENSIONS: mm  
 TOLERANCES UNLESS OTHERWISE SPECIFIED:  
 0 PLC ±0.3  
 1 PLC ±0.3  
 2 PLC ±0.3  
 3 PLC ±0.3  
 4 PLC ±0.3  
 ANGLES ±0.5

MATERIAL: -  
 FINISH: -

Customer Drawing

APVD: W. Mueller  
 PRODUCT SPEC: 108-94479  
 APPLICATION SPEC: 114-94381

SIZE: A1  
 CAGE CODE: 00779  
 DRAWING NO: 2288754

RESTRICTED TO: -

SCALE: 5:1  
 SHEET: 1 OF 2  
 REV: C1

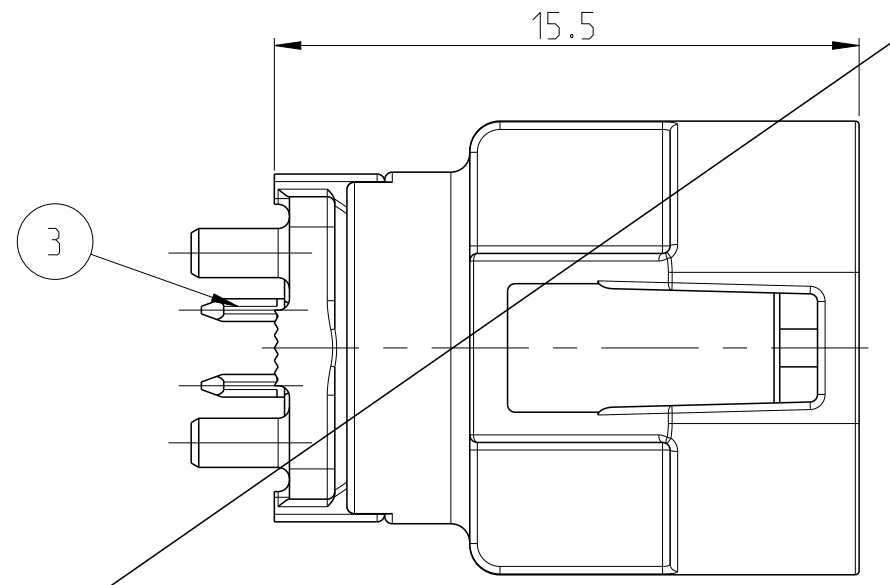
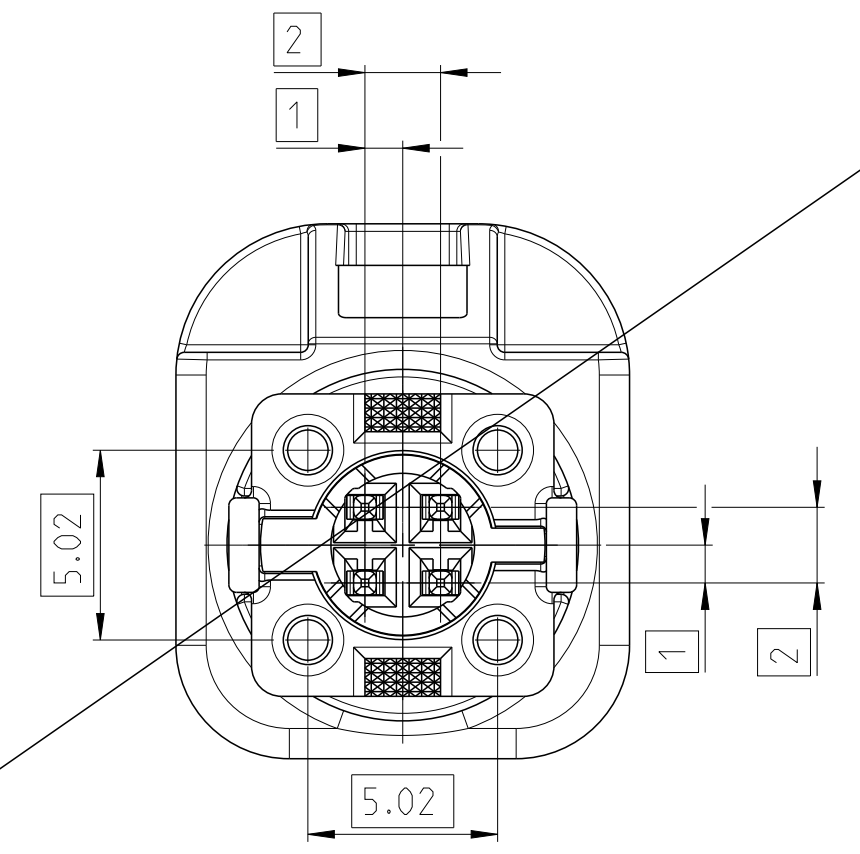
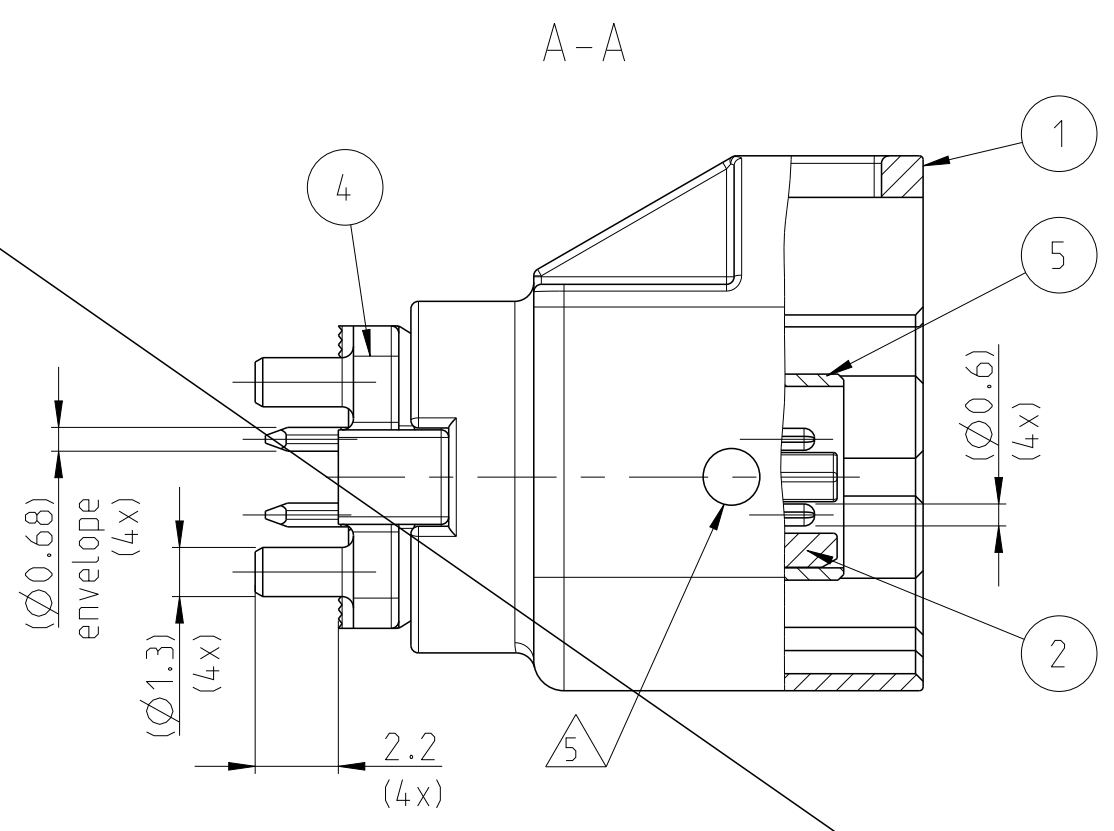
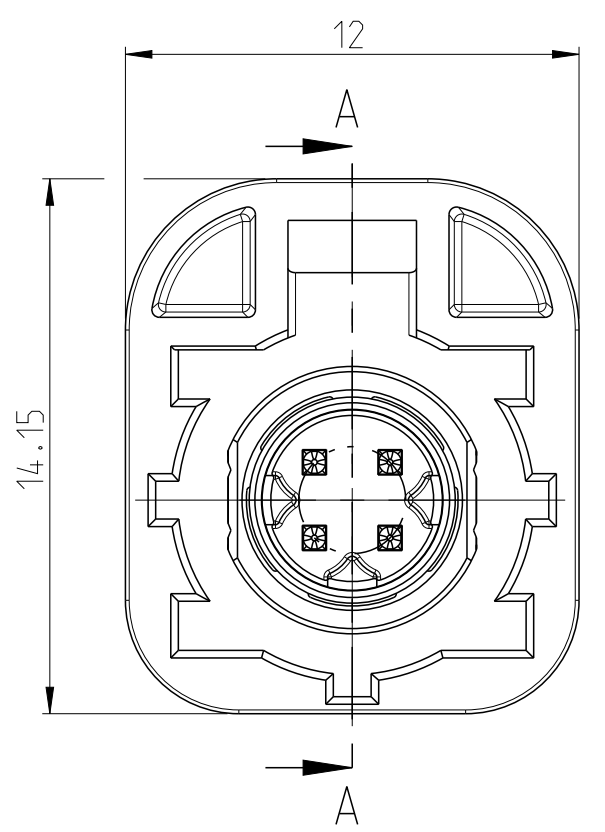
**STE** TE Connectivity

4 POS. HSD 180 HEADER ASSY  
 4 Pol. HSD 180 Stiftleiste Assy

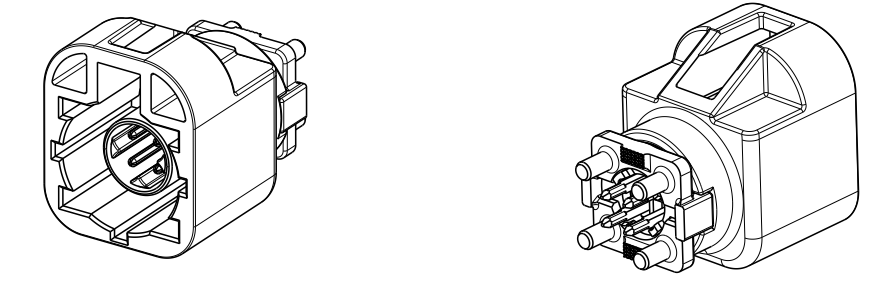
LOC	DIST	REV	DATE	BY	APPV
-	-	1	-	-	-
-	-	2	-	-	-
-	-	3	-	-	-
-	-	4	-	-	-

CODINGS 2:1

CODE A	CODE B	CODE C	CODE D	CODE E	CODE F	CODE Z
CODE G	CODE H	CODE J	CODE K	CODE L	CODE M	CODE O



SCALE 2:1



- NOTES  
Bemerkung
- ONLY THE GERMAN LANGUAGE SHALL BE BINDING  
Massgebend ist der deutsche Text
  - DETAILS OF DESIGN ARE LEFT TO THE CONNECTIVITY  
Einzelheiten der Ausführung bleiben TE CONNECTIVITY ueberlassen
  - HSD INTERFACE ACC. TO TE SPEC. 114-18950  
HSD Schnittstelle nach TE-Spez. 114-18950
  - PACKAGING TAPE AND REEL  
Verpackung Blistergurt
  - MARKING OF 100% TEST PASSED  
Gutteilmarkierung nach bestandener 100% Pruefung
  - FOR FITTING HSD CONNECTOR PLEASE CONTACT TE CONNECTIVITY.  
Fuer passenden gegenstecker bitte TE Connectivity kontaktieren
  - ALL DIMENSIONS IN BRACKETS ( ) FOR INFORMATION ONLY  
Alle Masse in Klammern ( ) nur zur Information
  - PCB LAYOUT ACCORDING TO TE SPEC. 114-94319  
Platinenlayout nach TE-Spez. 114-94319
- WEIGHT [g]: 2.79  
Gewicht [g]: 2.79
- AS SHOWN / wie gezeigt Codierung Z

**OBSOLETE**

**B-SAMPLES**

QTY	DESCRIPTION	MATERIAL	FINISH COLOUR, SIMILAR RAL	ITEM NO		
1	SHIELDING TUBE Schirmrohr	CuSn4	INTERFACE SIDE: NICKEL PLATING MIN. 3-6 µm Steckseite: Vernickelung min. 3-6 µm	5		
1	SHIELDING BODY Schirmgehäuse	ZnAl4Cu1	SOLDER SIDE: TIN PLATING Lotseite: Verzinnung	4		
4	CONTACT PIN Kontaktpin	CuSn4	SOLDER SIDE: TIN PLATING MIN 3µm Lotseite: Verzinnung min. 3µm INTERFACE SIDE: GOLD PLATING Steckseite: Vergoldet	3		
1	CAVITY BLOCK Kontaktraeger	LCP or alternative	BLACK	2		
1	CODING COVER Kodierkappe	PPA-GF25	LIGHT GREEN. 6027	1		
1			PASTEL ORANGE. 2003			
1			YELLOW GREEN. 6018			
1			CURRY. 1027			
1			BEIGE. 1001			
1			HEATHER VIOLET. 4003			
1			BLuish GREY. 7031			
1			WATER BLUE. 5021			
1			LEAF GREEN. 6002			
1			NUT BROWN. 8011			
1			CLARET VIOLET. 4004			
1			SIGNAL BLUE. 5005			
1			CREAM WHITE. 9001			
1			JET BLACK. 9005			
1						

QUANTITY	CODE	DESCRIPTION	MATERIAL	FINISH COLOUR, SIMILAR RAL	ITEM NO
8 - 1 8 - 2 8 - 3 8 - 4 8 - 5 8 - 6 8 - 8 8 - 9 9 - 1 9 - 2 9 - 3 9 - 4 9 - 5 9 - 6 9 - 9					
A B C D E F Z G H J K L M O					
1 1 1 1 1 1 1 1 1 1 1 1 1 1 1					

ASSY NO. X-2288754-Y  
ASSY CODE  
REVISION

THIS DRAWING IS A CONTROLLED DOCUMENT.

DMN: M. Walter 12NOV2014  
CHK: M. Reinhardt 12NOV2014

TOLERANCES UNLESS OTHERWISE SPECIFIED:  
 0 PLC ±0.5  
 1 PLC ±0.5  
 2 PLC ±0.5  
 3 PLC ±0.5  
 4 PLC ±0.5  
 ANGLES ±0.5

MATERIAL: - FINISH: -

WEIGHT: -

Customer Drawing

**TE** TE Connectivity

NAME: 4 POS. HSD 180 HEADER ASSY  
4 Pol. HSD 180 Stifiteiste Assy

PRODUCT SPEC: 108-94447  
APPLICATION SPEC: -

SIZE: A1 CAGE CODE: 00779 DRAWING NO: 2288754 RESTRICTED TO: -

SCALE: 5:1 SHEET: 2 OF 2 REV: C