

REVISIONS					
P	LTR	DESCRIPTION	DATE	DWN	APVD
	A	NEW DRAWING CREATED	26JUL2016	BREN	LEIM

REFER TO PRODUCT GROUP DRAWING

1355038

FOR LATEST INFORMATION ON THE PART

Fuer Teilinformationen
siehe Tabellen-Zeichnung

1355038

2015


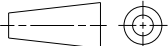
RELEASED FOR PUBLICATION

ALL RIGHTS RESERVED.

Tyco Electronics AMP GmbH

© COPYRIGHT 2015

THIS DRAWING IS UNPUBLISHED.

DIMENSIONS: mm		DWN K. Brenner	26JUL2016	MATERIAL	-	FINISH	-	
TOLERANCES UNLESS OTHERWISE SPECIFIED:		CHK D. Leiminger	01AUG2016	 TE Connectivity				
		APVD -	-					
0 PLC ± 1 PLC ± 2 PLC ± 3 PLC ± 4 PLC ± ANGLES ±°		PRODUCT SPEC		NAME 2.8mm SENSOR FLAT CONTACT TYPE I				
		APPLICATION SPEC		SIZE	CAGE CODE	DRAWING NO	RESTRICTED TO	
		WEIGHT		A 4	00779	C=2288092	-	
		CUSTOMER DRAWING			SCALE	-	SHEET	1 OF 1