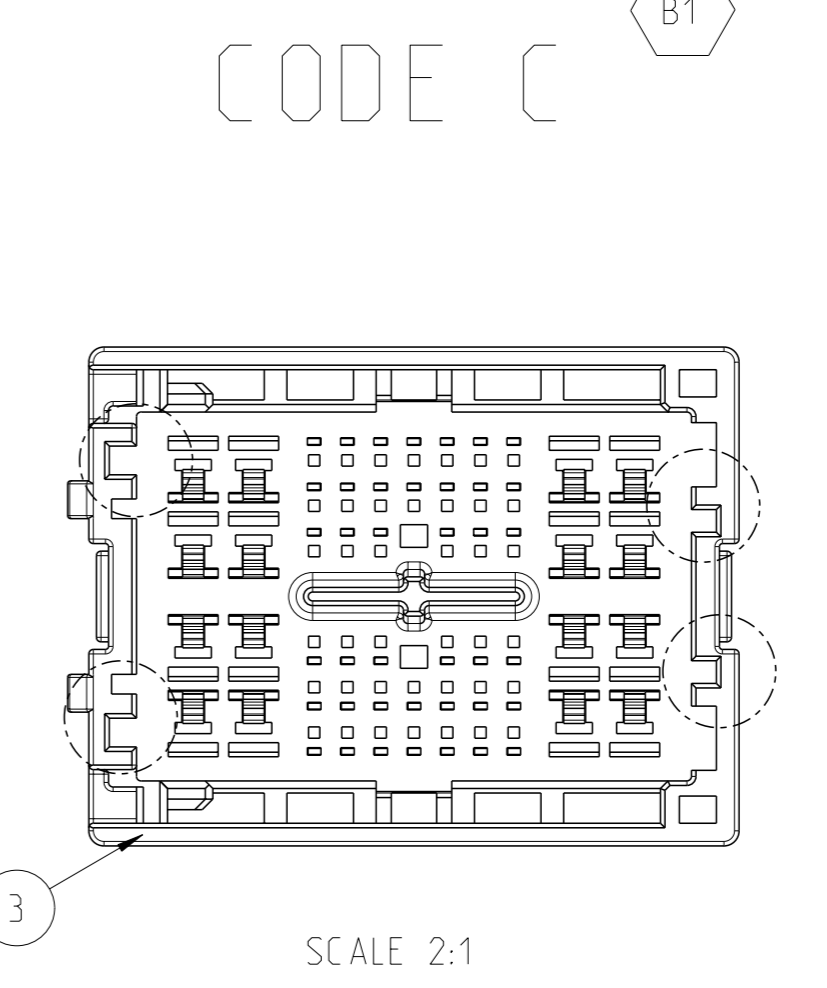
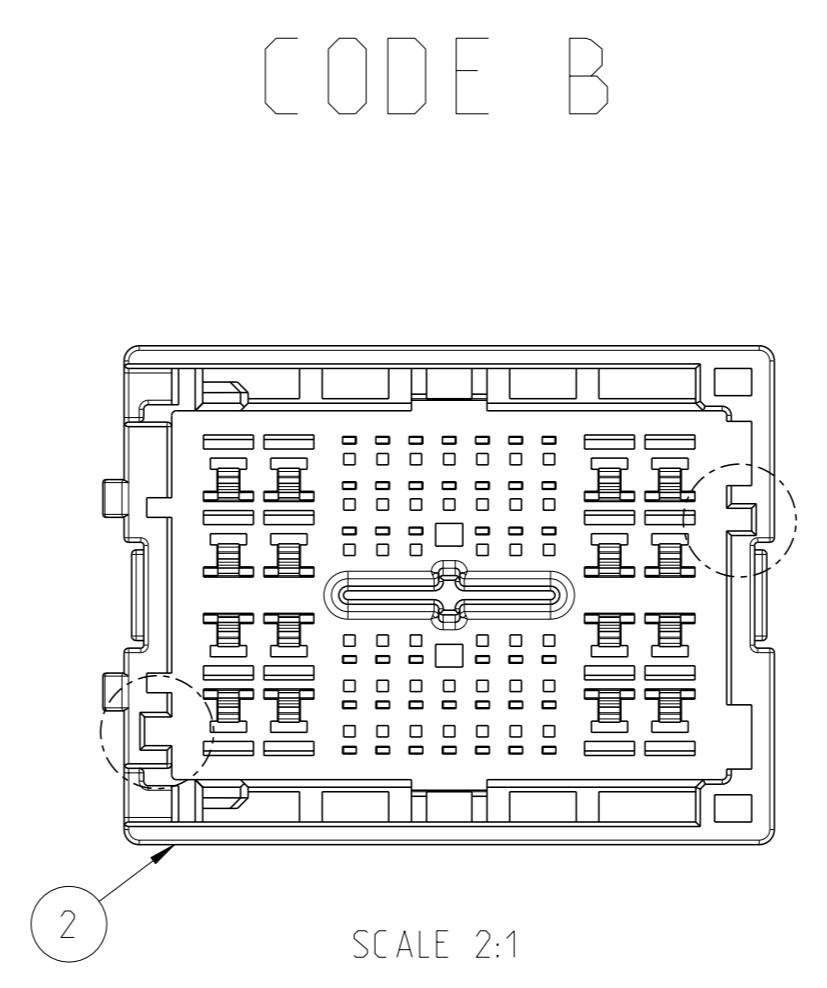
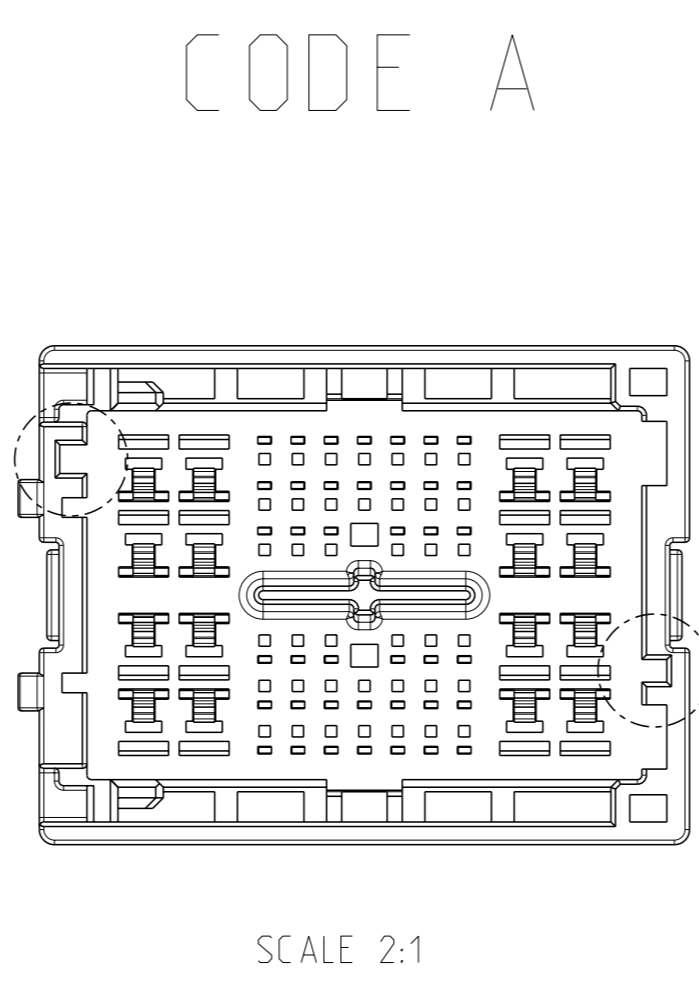
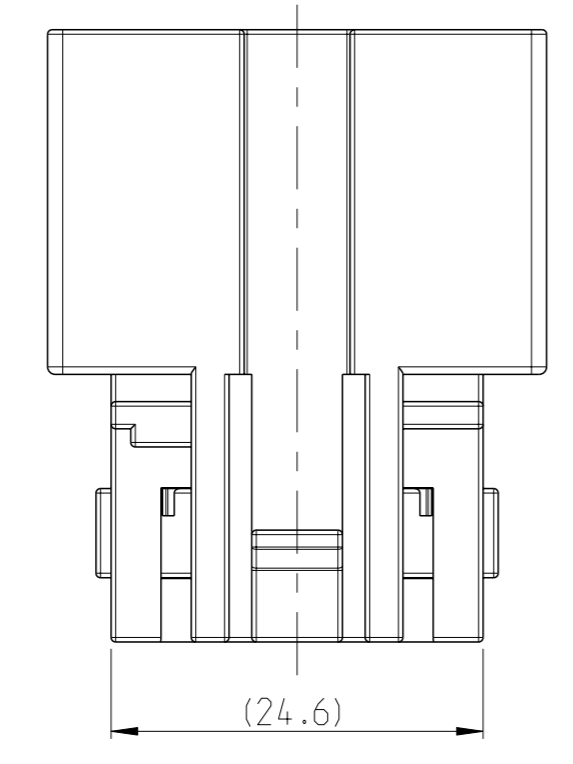
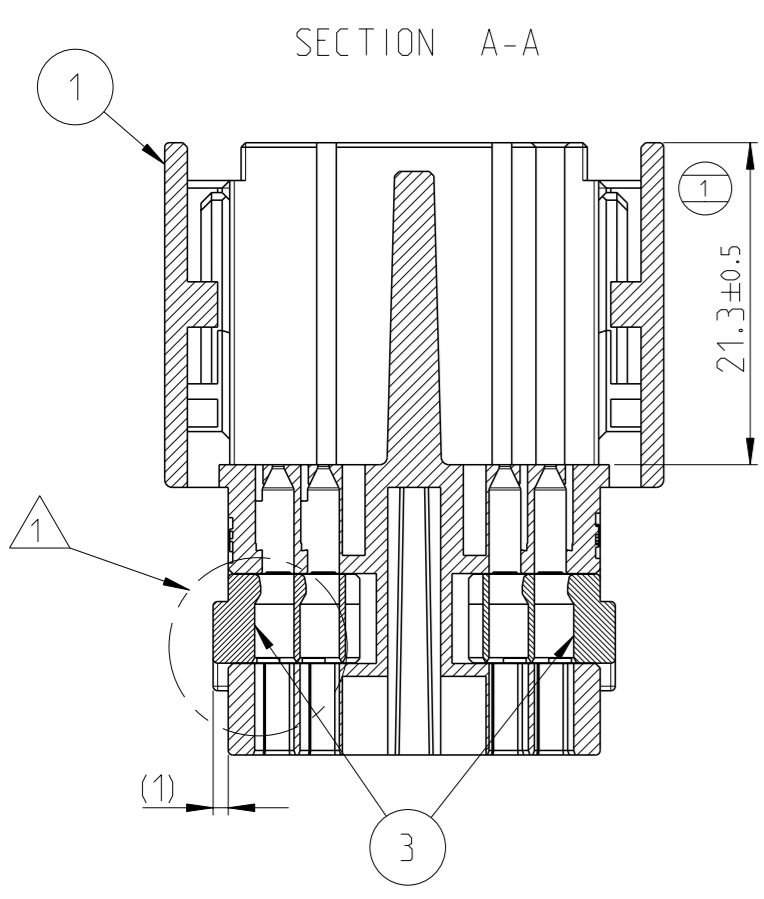
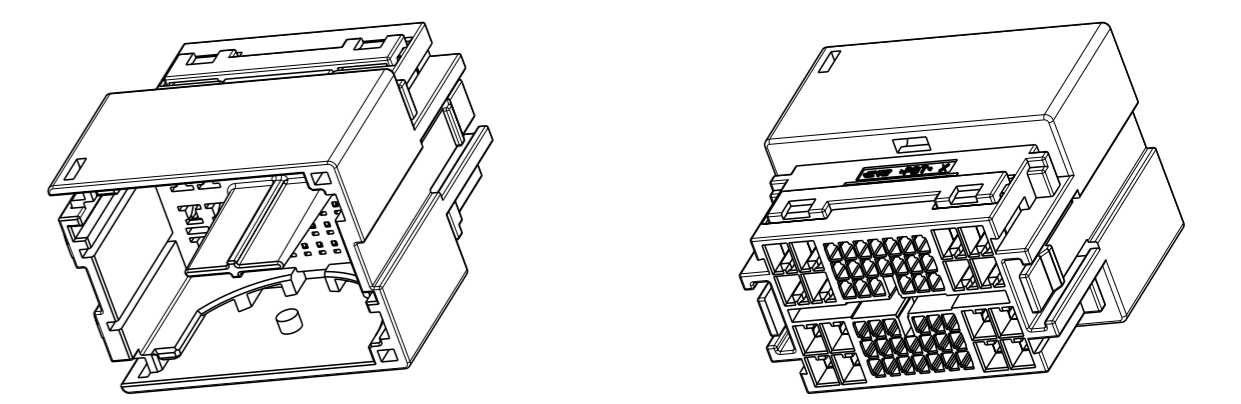
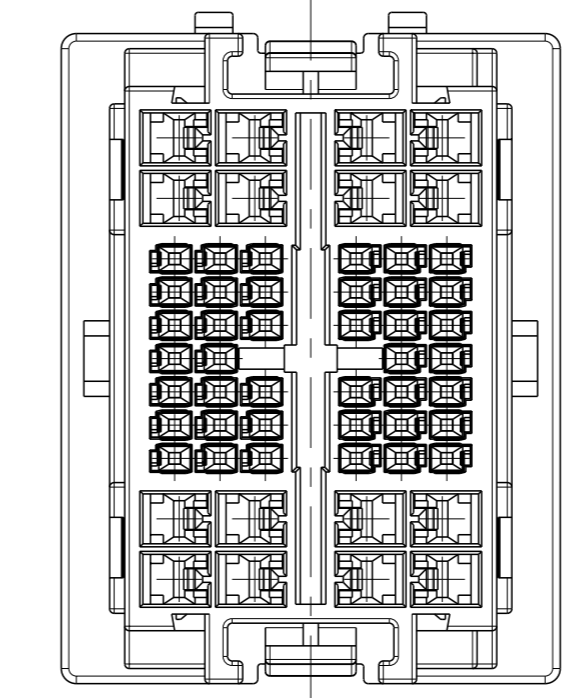
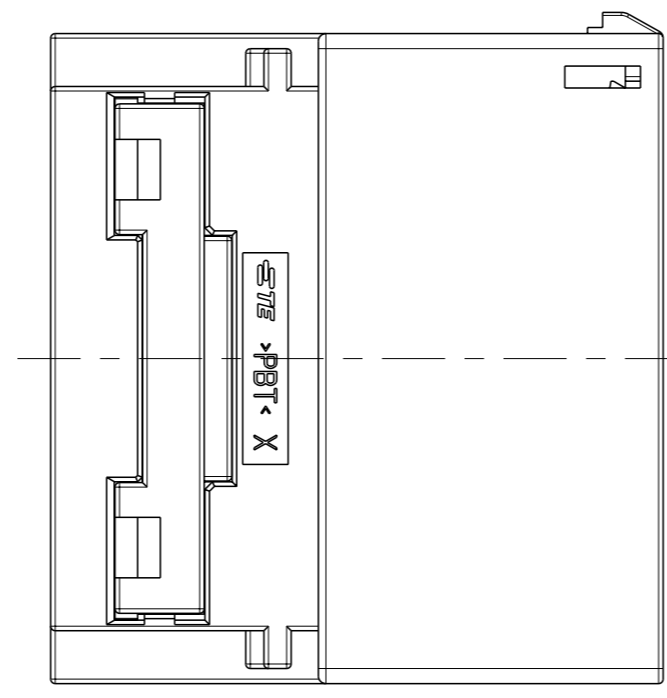
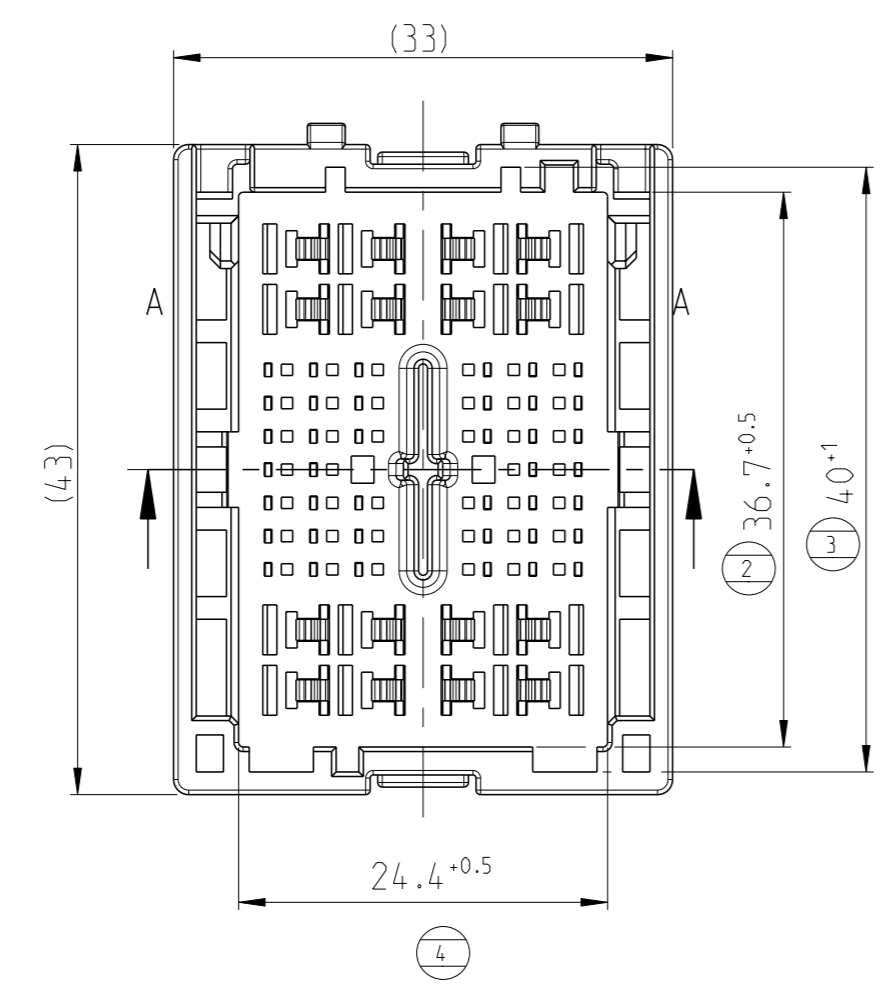
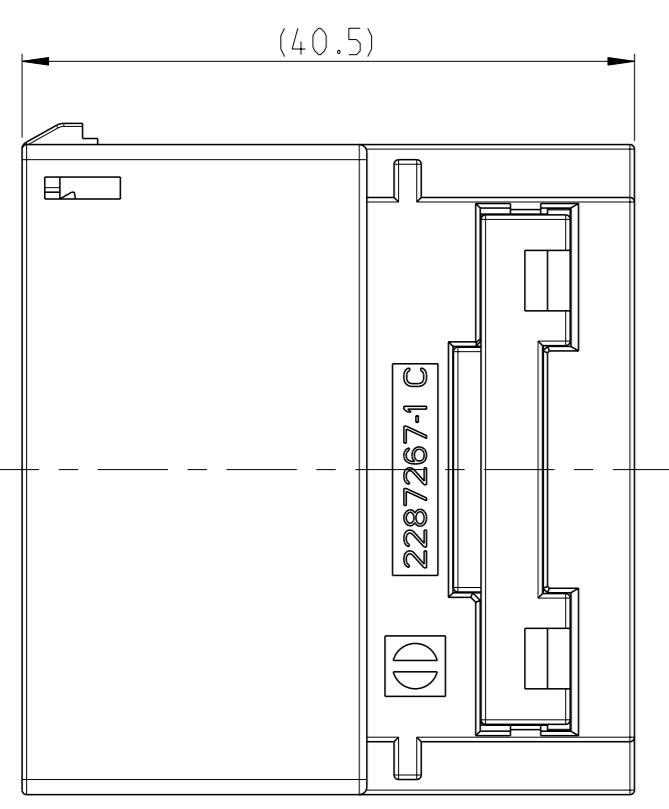


REVISIONS				
#	CT#	DESCRIPTION	DATE	APPV
A		NEW RELEASE	19DEC2014	SB RK
A1		SEE ECR-15-003814	10MAR2015	SB RK
A2		SEE ECR-15-008763	01JUL2015	SB RK
B		CAVITY MARKING DELETION	19SEP2017	DJ KB
B1		SEE ECR-22-156376	07NOV2022	MK CP



B1



SCALE 1:1
3D VIEW

- NOTES
- CONDITION OF DELIVERY : DBL IN 1ST LOCKING POSITION
 - MATED WITH PLUG HOUSING ASSEMBLY NO: 2287452-1 (CODE A) OR 2287452-2 (CODE B) OR 2287452-3 (CODE C)
 - APPLICABLE TAB CONTACT P/N: TABLE 1
 - REGRIND MATERIAL PROCESSED IN CLOSED LOOP.
 - UNSPECIFIED TOLERANCES AS PER DIN 16901-140.

TABLE 1

TYPE	FINISH	P/N	APPLICABLE WIRE RANGE(mm ²)
.025	PRE-TIN	2005098-1	0.22
	PRE-TIN	2005154-1	0.3-0.5
.090	PRE-TIN	1897752-1	0.22-0.5
		368088-1	0.3 - 0.5
		368087-1	0.85 - 1.25
		368086-1	2.0 - 2.5

CODE C			CODE B			CODE A			SHOWN DRAWING IS FOR 2287450-1			
2	2	2	1-2219543-1	A	DBL HSG	-	PBT	NATURAL	4			
1	-	-	2287267-3	C	CAP HSG. CODE C	15%	PBT	NATURAL	3			
-	1	-	2287267-2	C	CAP HSG. CODE B	15%	PBT	BLACK	2			
-	-	1	2287267-1	C	CAP HSG. CODE A	15%	PBT	NATURAL	1			
2287450-3	2287450-2	2287450-1	PART NO	REV	DESCRIPTION	REGRIND	MATERIAL	COLOUR	ITEM NO			
B	B	B	REVISION OF EACH ASSY NO (WHEN BLANK, USE DWG REVISION)									
QTY PER ASSY			PARTS LIST									

THIS DRAWING IS A CONTROLLED DOCUMENT.

DIMENSIONS: mm

TOLERANCES UNLESS OTHERWISE SPECIFIED:

0 PLC	±
1 PLC	±
2 PLC	±
3 PLC	±
4 PLC	±
5 PLC	±
6 PLC	±
7 PLC	±
8 PLC	±
9 PLC	±
10 PLC	±
11 PLC	±
12 PLC	±
13 PLC	±
14 PLC	±
15 PLC	±
16 PLC	±
17 PLC	±
18 PLC	±
19 PLC	±
20 PLC	±
21 PLC	±
22 PLC	±
23 PLC	±
24 PLC	±
25 PLC	±
26 PLC	±
27 PLC	±
28 PLC	±
29 PLC	±
30 PLC	±
31 PLC	±
32 PLC	±
33 PLC	±
34 PLC	±
35 PLC	±
36 PLC	±
37 PLC	±
38 PLC	±
39 PLC	±
40 PLC	±
41 PLC	±
42 PLC	±
43 PLC	±
44 PLC	±
45 PLC	±
46 PLC	±
47 PLC	±
48 PLC	±
49 PLC	±
50 PLC	±
51 PLC	±
52 PLC	±
53 PLC	±
54 PLC	±
55 PLC	±
56 PLC	±
57 PLC	±
58 PLC	±
59 PLC	±
60 PLC	±
61 PLC	±
62 PLC	±
63 PLC	±
64 PLC	±
65 PLC	±
66 PLC	±
67 PLC	±
68 PLC	±
69 PLC	±
70 PLC	±
71 PLC	±
72 PLC	±
73 PLC	±
74 PLC	±
75 PLC	±
76 PLC	±
77 PLC	±
78 PLC	±
79 PLC	±
80 PLC	±
81 PLC	±
82 PLC	±
83 PLC	±
84 PLC	±
85 PLC	±
86 PLC	±
87 PLC	±
88 PLC	±
89 PLC	±
90 PLC	±
91 PLC	±
92 PLC	±
93 PLC	±
94 PLC	±
95 PLC	±
96 PLC	±
97 PLC	±
98 PLC	±
99 PLC	±
100 PLC	±

MATERIAL: SEE TABLE

WEIGHT: 22 GRAM

CUSTOMER DRAWING

OWN: SUMIT B 19DEC2014
 CHK: RAJESH K 19DEC2014
 APVD: RAJESH KUMAR 19DEC2014
 PRODUCT SPEC

NAME: 56POS. MIXED. TAB HSG. 025. 090. ASSY

SIZE: A1 CAGE CODE: 00779 DRAWING NO: 2287450

RESTRICTED TO: REV B1

SCALE: 5:1 SHEET 1 OF 1