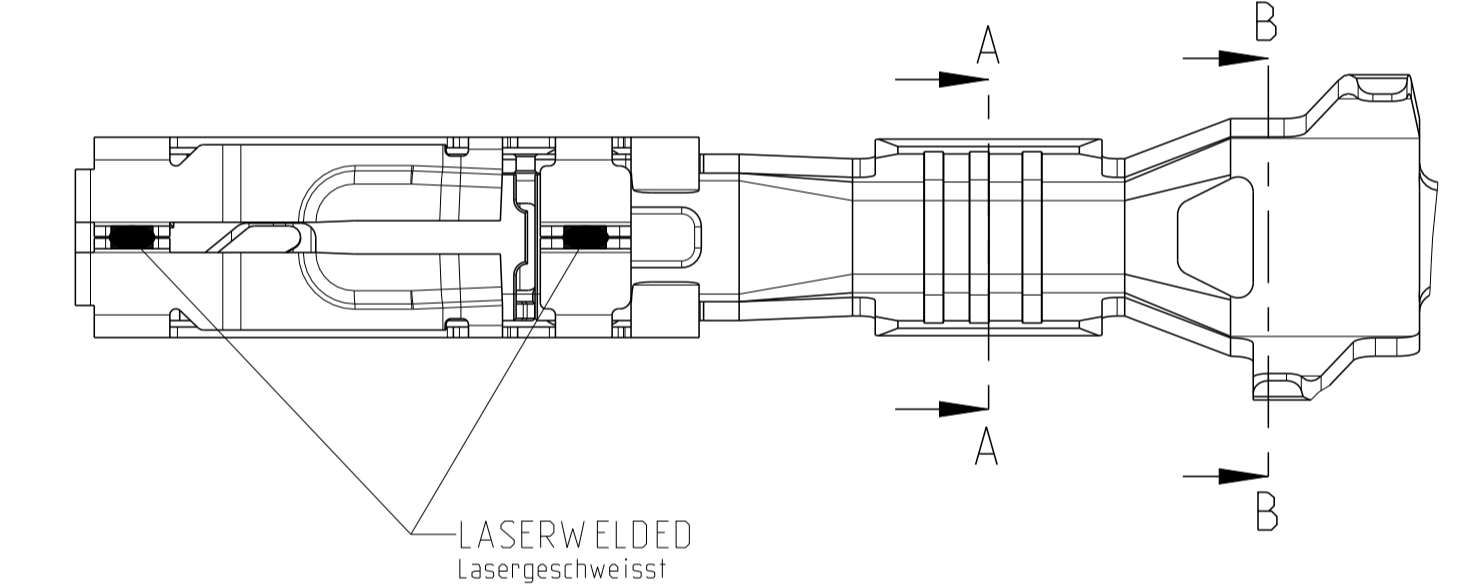
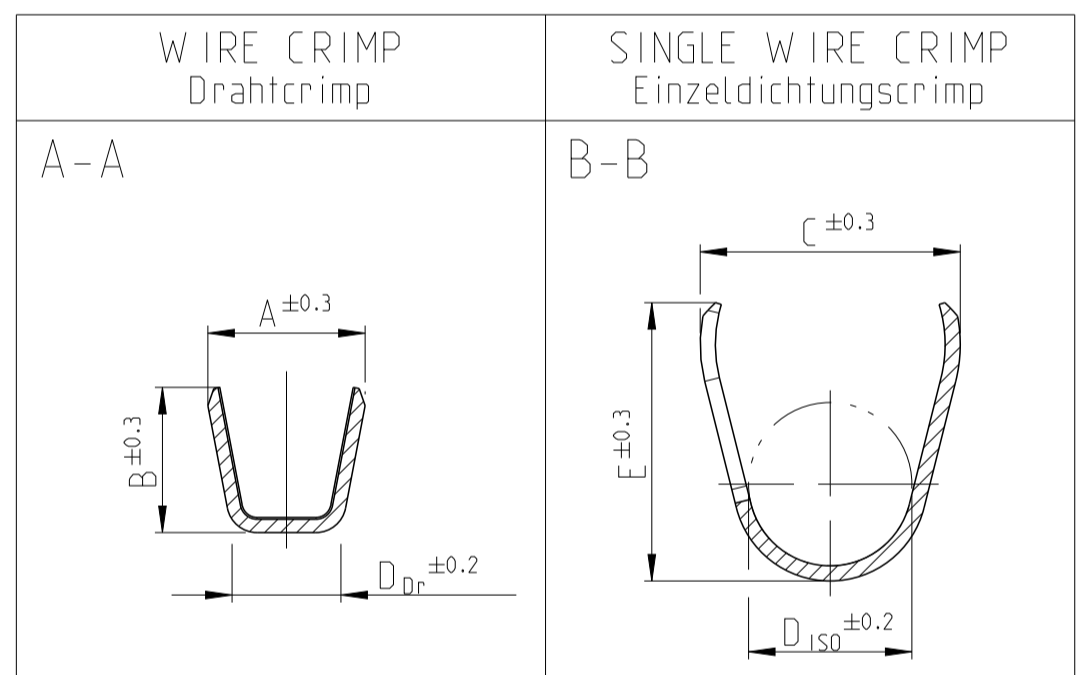
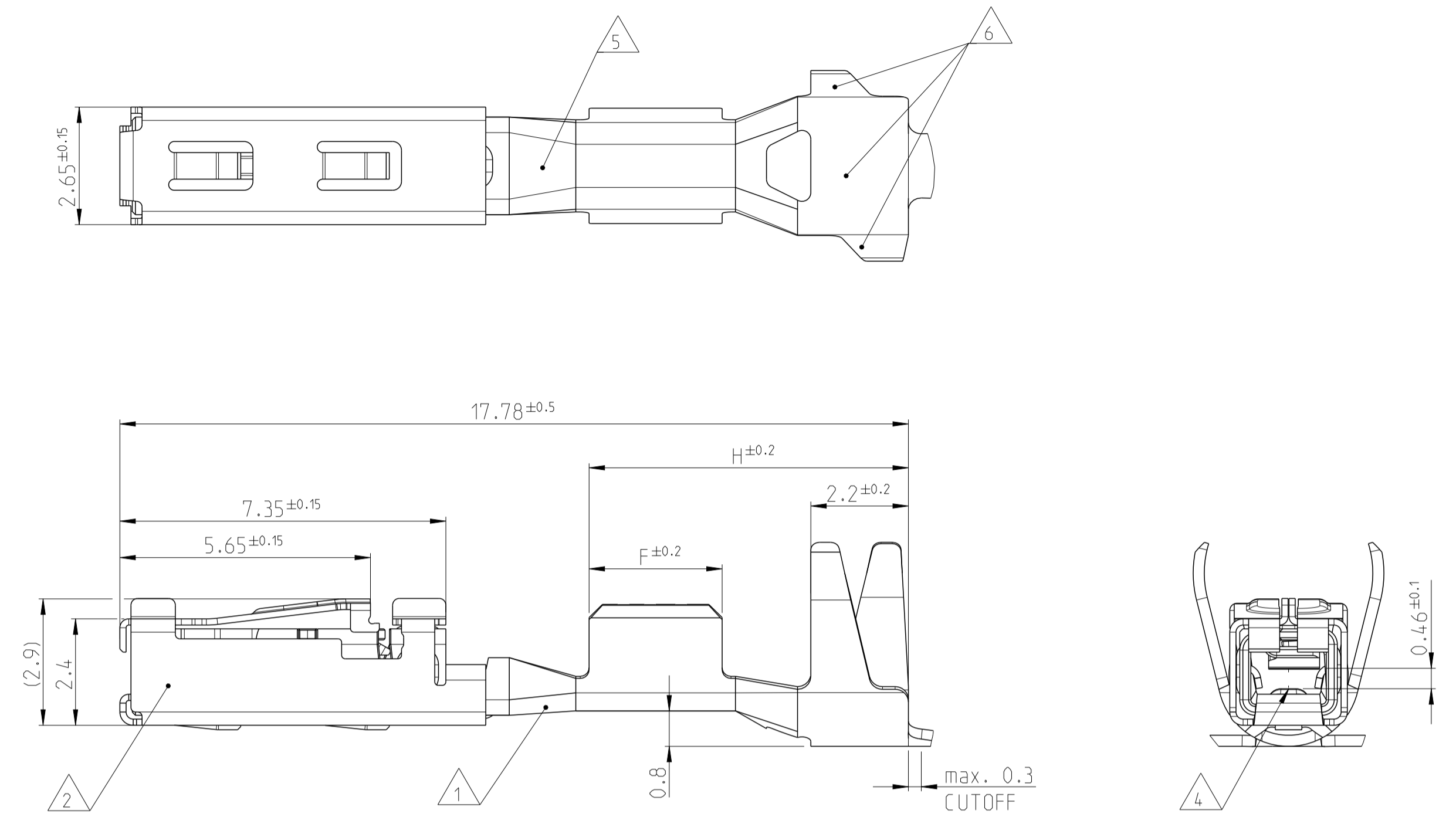


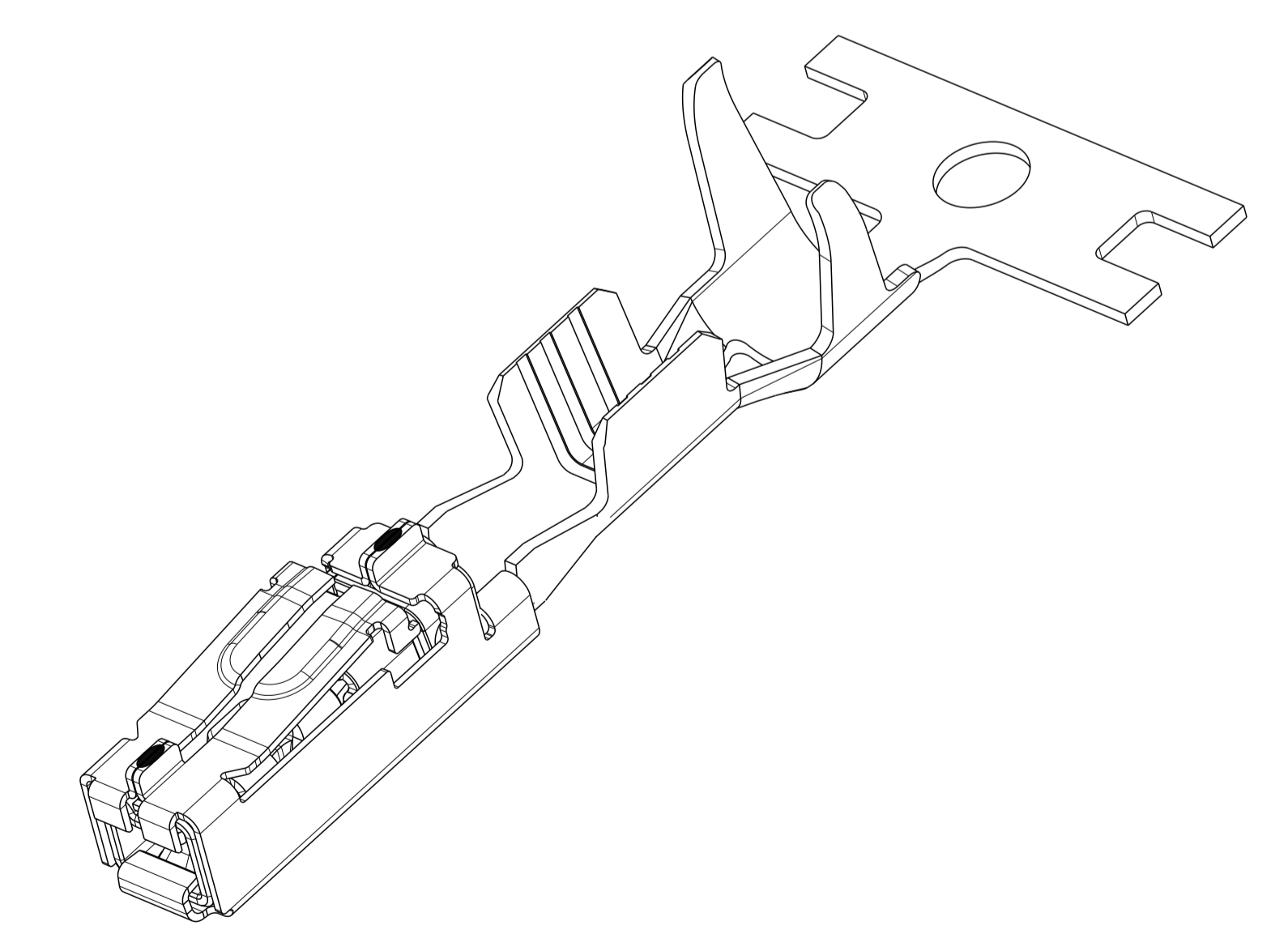
REVISIONS					
P	LTN	DESCRIPTION	DATE	DMN	APVD
C		PART HAS BEEN REVISED TO REV. C	31MAY2017	SY	DR
C1		EXTENSION AND CONSOLIDATION OF DRAWING	10DEC2019	DR	DR
C2		NEW CONTACT AND SEAL PINS ADDED	24SEP2020	HJA	DR

NOTES

- 1 CONTACT BODY
Kontaktkoerper
- 2 SPRING
Ueberfeder
- 3 FOR WIRE SEE SPEC. 114-18912
Fuer Leitung siehe SPEC. 114-18912
- 4 Ag - SILVER PLATED MIN. 2 µm OVER Ni (ONLY CONTACT AREA TAB)
Au - GOLD PLATED MIN. 2 µm OVER Ni (ONLY CONTACT AREA TAB)
Ag+ - SILVER PLATED 2 TO 5 µm OVER Sn (ONLY CONTACT AREA TAB)
Ag - galv. versilbert min. 2 µm ueber Ni (nur Kontaktzone TAB)
Au - galv. Gold min. 2 µm ueber Ni (nur Kontaktzone TAB)
Ag+ - versilbert 2 bis 5 µm ueber Sn (nur Kontaktzone TAB)
- 5 STAMPED INDICATOR FOR PLATING:
-Ag SILVER PLATING
-Au GOLD PLATING
-Ag+ SILVER PLATING
Markierung fuer galvanische Ausfuehrung
-Ag versilbert
-Au verguldet
-Ag+ versilbert
- 6 TE LOGO, REVISION STATUS, DATE CODE
TE Logo, Aenderungsstand, Datumcode



VERSION Ausfuehrung	TE ORDER NO. REELED FORM	REV.	BODY Kontakt- koerper	SPRING Kontakt- feder	SPRING Kontakt- feder	CONTACT AREA TAB Kontaktzone TAB	WIRE RANGE Draht- groessen- bereich	WIRE CRIMP Drahtcrimp						SINGLE WIRE CRIMP Einzeldichtungscrimp						BLINDPLUG ORDER NO. Blindstopfen Bestell-Nr.	PRODUCT SPECIFICATION Produkt Spezifikation
								A	B	DDr	C	E	DISO	F	H						
SINGLE WIRE SEALING SYSTEM Einzeldichtungssystem	2208363-3	C	CuNiSi	X10CrNi18-8	-	-	0.35	2.0	1.8	1.2	4.3	4.6	2.7	2.5	-	6.7	-	-	2297816-1 (Ø3.9)	108-94432	
	2296545-2	B																	Au	967067-2 (Ø4.1)	108-94671
	2290339-3	B																	Ag+	2297816-2 (Ø3.9)	108-94670
	2208362-3	C	CuNiSi	X10CrNi18-8	-	-	0.5	2.2	2.1	1.4	4.3	4.6	2.7	3.0	-	7.2	-	-	2297817-1 (Ø3.9)	108-94432	
	2325198-3	A																	Ag+	967067-1 (Ø4.1)	108-94670
	-	-	-	-	-	-	-	-	-	-	-	-	-	-	-	-	-	-	-	-	
	2208360-3	C	CuNiSi	X10CrNi18-8	-	-	0.75	2.6	2.4	1.8	4.3	4.6	2.7	3.0	-	7.2	-	-	2297818-1 (Ø3.9)	108-94432	
	2325199-3	A																	Ag+	967067-1 (Ø4.1)	108-94670
	-	-	-	-	-	-	-	-	-	-	-	-	-	-	-	-	-	-	-	-	
	2208360-3	C	CuNiSi	X10CrNi18-8	-	-	1.0	2.6	2.4	1.8	4.3	4.6	2.7	3.0	-	7.2	-	-	2297819-1 (Ø3.9)	108-94432	
	2325199-3	A																	Ag+	967067-1 (Ø4.1)	108-94670
	-	-	-	-	-	-	-	-	-	-	-	-	-	-	-	-	-	-	-	-	



THIS DRAWING IS A CONTROLLED DOCUMENT.

TOLERANCING ISO 8015
TOLERIERUNG ISO 8015

DMN: D. Rosan 11MAR2014
CHK: W. Dietrich 10APR2014

NAME: HPF 1.2 SENSOR CONTACT/Sensorkontakt
PRODUCT GROUP DRAWING
Produktgruppenzeichnung

SIZE: A1 CAGE CODE: 00779 DRAWING NO: 2282325
SCALE: 10:1 SHEET: 1 OF 1 REV: C2

RESTRICTED TO: NUR FÜR: -

CUSTOMER DRAWING /KUNDENZEICHNUNG