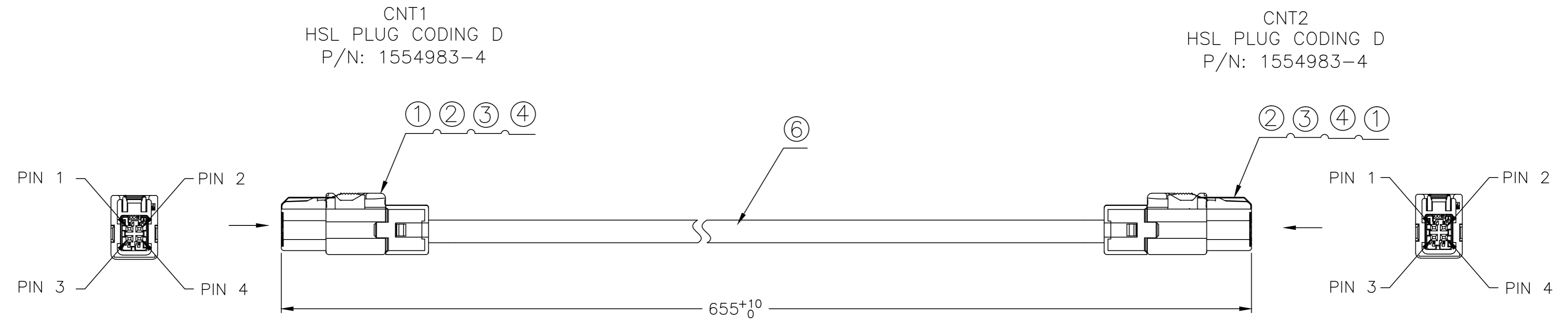


THIS DRAWING IS UNPUBLISHED. RELEASED FOR PUBLICATION
 © COPYRIGHT - 1 ALL RIGHTS RESERVED.

LOC		DIST		REVISIONS			
ES	00	P	LTR	DESCRIPTION	DATE	DWN	APVD
		A		RELEASED	26JAN2015	T.W	B.T



△ 4

CNT1 PIN NO.	WIRE COLOR	CNT2 PIN NO.
1	BLACK	1
2	RED	2
3	WHITE(TWIST)	3
4	GREEN(TWIST)	4
SHIELD	BRAIDING	SHIELD

- NOTE:
- ELECTRICAL TEST: 100% FOR CONTINUITY AND SHORT CIRCUIT (CONDUCTOR AND SCREEN). GENERALLY ELECTRICAL TEST ACCORDING TO TE SPECIFICATION 108-18857.
 - CABLE ASSEMBLY MEETS USB2.0 SPEC.
 - DIMENSION OF LENGTHS ARE EXTENDED LENGTHS.
 - △ WIRE POSITION SEE BESIDE TABLE
 - TE PART NUMBER: 2278514-1
 - SIDE VIEW IS ONLY FOR PIN-OUT

A/R	MM	DESCRIPTION	QTY	U/M	ITEM
8	PC	USB 2.0 CABLE, 1P+2C AWG24	6		6
2	PC	TERMINAL	4		5
2	PC	HSL SHELL ASSY	4		4
2	PC	HSL SUB ASSY	3		3
2	PC	HSL HOUSING CODE D	1		1
		DESCRIPTION			

THIS DRAWING IS A CONTROLLED DOCUMENT.		DWN T.WANG 02MAY2014	TE Connectivity		
DIMENSIONS: mm		CHK P.WU 26JAN2015			
TOLERANCES UNLESS OTHERWISE SPECIFIED:		APVD B.TANG 26JAN2015	NAME		
0 PLC ± - 1 PLC ± - 2 PLC ± - 3 PLC ± - 4 PLC ± - ANGLES ± - FINISH		PRODUCT SPEC	HSL-HSL CABLE ASSY FOR SE		
MATERIAL		APPLICATION SPEC	SIZE A2	CAGE CODE 00779	DRAWING NO C=2278514
		WEIGHT	RESTRICTED TO	-	
		CUSTOMER DRAWING	SCALE	SHEET 1 of 1	REV A