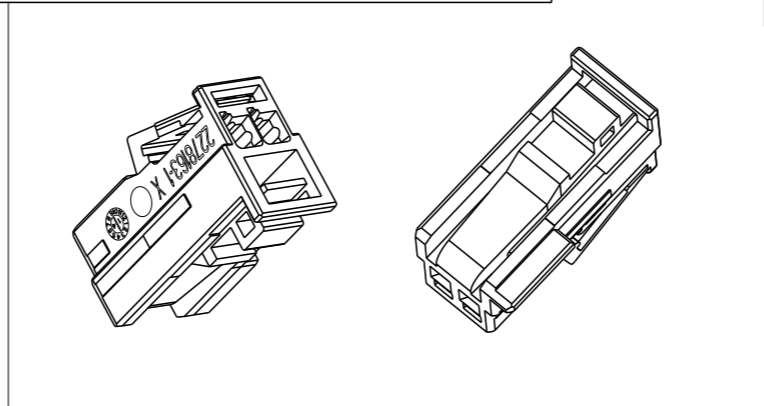
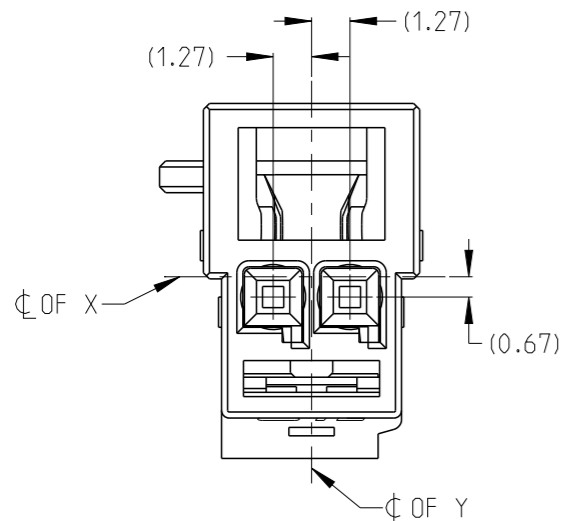


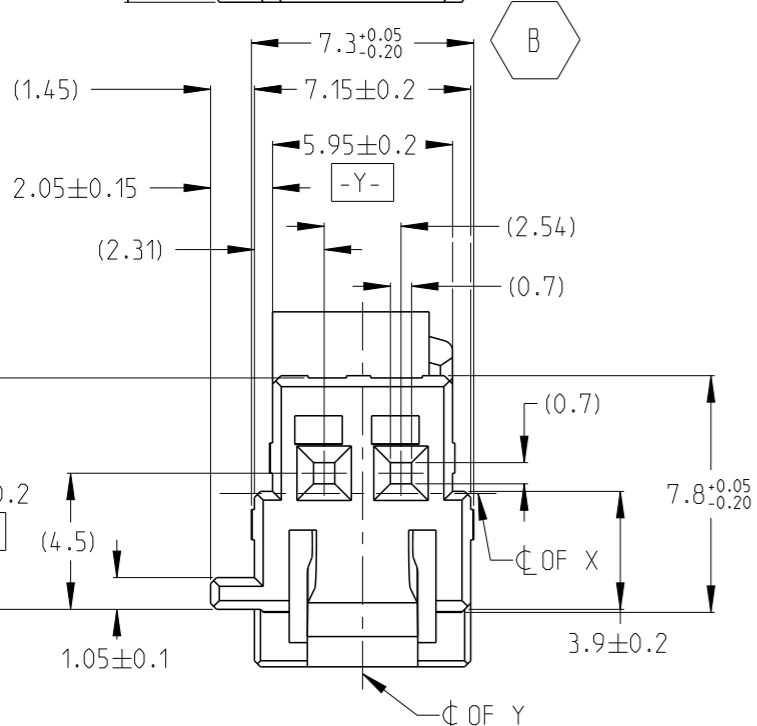
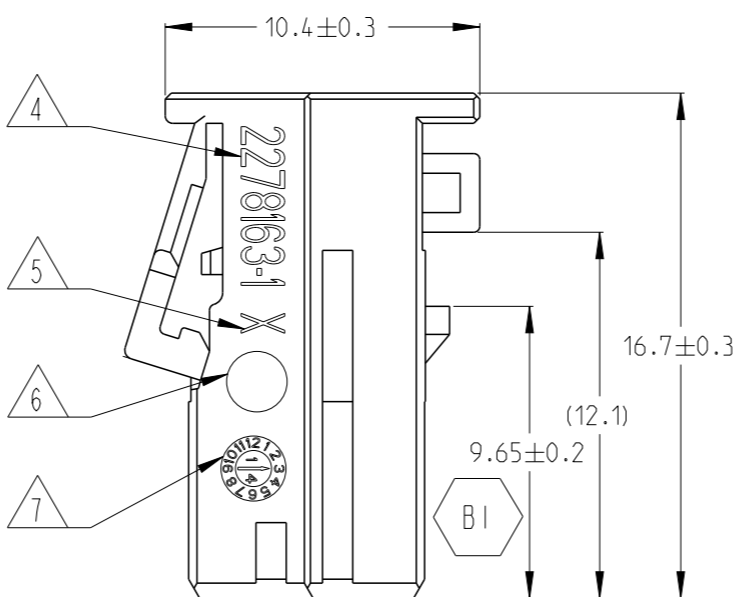
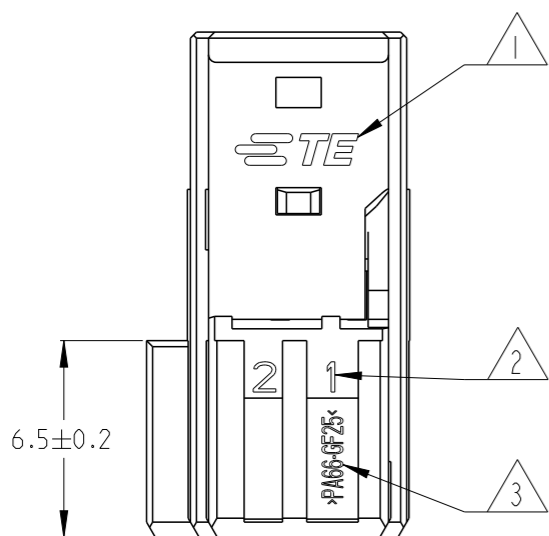
THIS DRAWING IS UNPUBLISHED. RELEASED FOR PUBLICATION 20
 © COPYRIGHT 20 BY -TE CONNECTIVITY ALL RIGHTS RESERVED.

LOC	DIST	REVISIONS					
ES	00	P	LTR	DESCRIPTION	DATE	DWN	APVD
		A		FIRST RELEASED	08JAN15	F.W	SY.W
		A1		ECR-15-015313	19OCT15	L.D	SY.W
		B		ECR-16-001750	19JAN16	L.D	SY.W
		B1		ECR-17-012143	21AUG2017	V.W	I.Y



NOTES

- 1 TE LOGO
- 2 CAVITY IDENTIFICATION
- 3 MATERIAL IDENTIFICATION
- 4 TE PART NUMBER
- 5 PART REVISION
- 6 CAVITY MARK
- 7 PRODUCTION DATECODE
- 8 SUITABLE CONTACT SEE TE GROUP DRAWING 929454
- 9 SUITABLE FOR WIRE SIZE RANGE 0.2-0.75mm²
- 10 THE ONLY DIFFERENCE BETWEEN 2278163-1 AND 1-2278163-1 IS PACKAGING



1-2278163-1	MQS SOCKET HOUSING, 2POSN	BLACK	CARTON
2278163-1	MQS SOCKET HOUSING, 2POSN	BLACK	TURNOVER BOX
PART NUMBER	DESCRIPTION	COLOR	PACKAGING

THIS DRAWING IS A CONTROLLED DOCUMENT.

DWN	F.WANG	08JAN2015	 TE Connectivity	NAME MQS SOCKET HOUSING, 2POS		
CHK	A.DANG	12JAN2015				
APVD	SY.WANG	12JAN2015				
PRODUCT SPEC						
APPLICATION SPEC			SIZE	CAGE CODE	DRAWING NO	RESTRICTED TO
MATERIAL			A3	-	©-2278163	
FINISH			WEIGHT		CUSTOMER DRAWING	SCALE 4:1
					SHEET 1 OF 1	REV B1