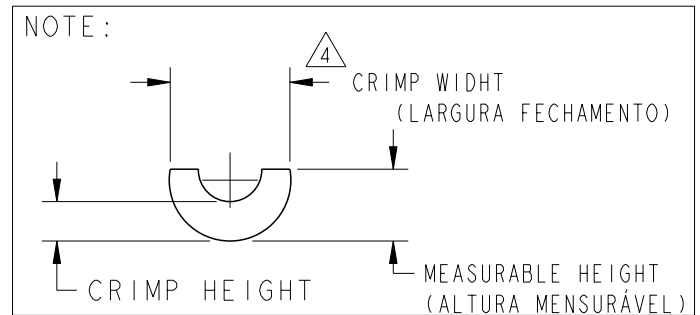
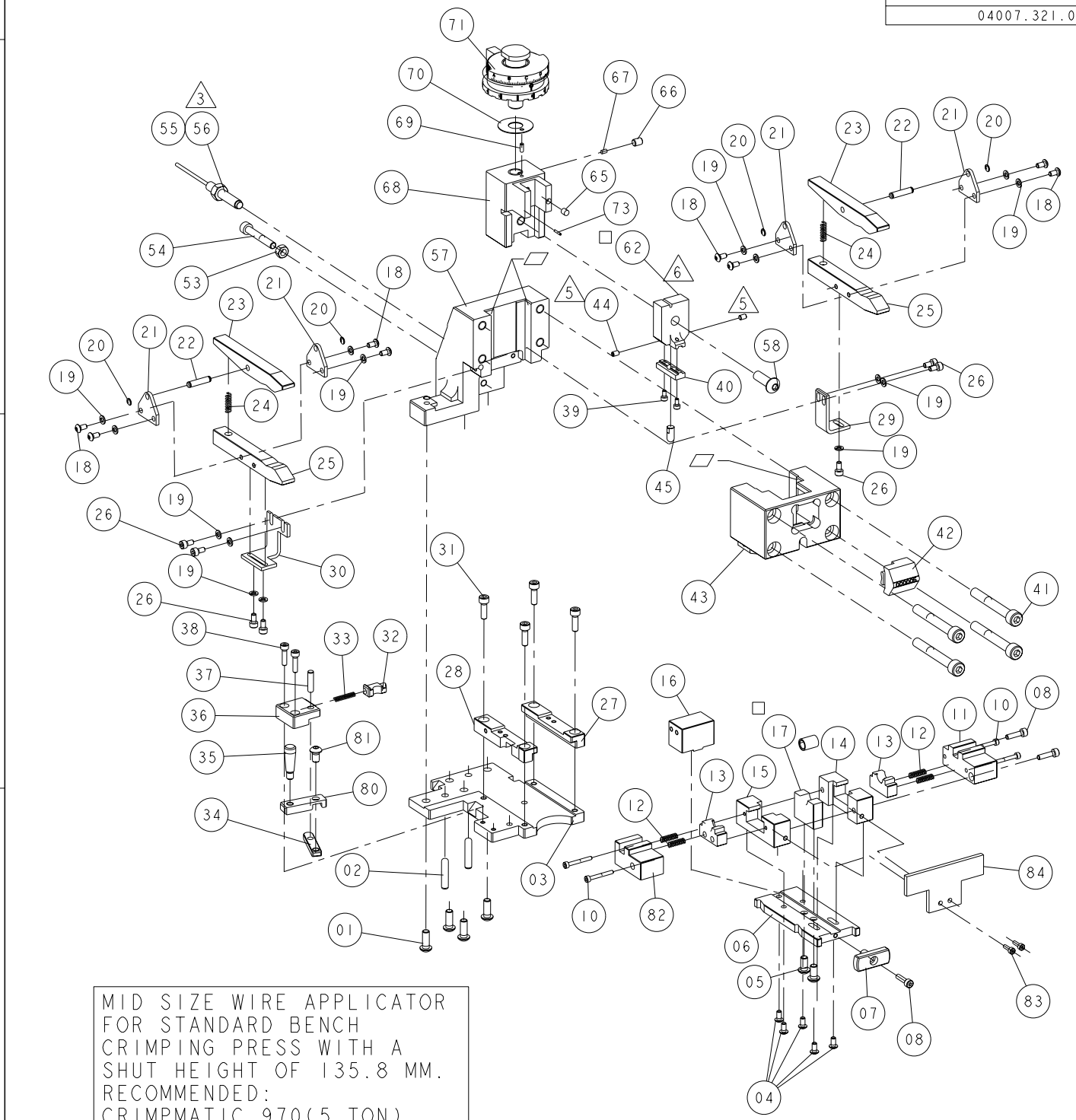


APPLICATIONS TABLE WIRE SIZE			
SIDE 1	TOTAL	SIDE 2	MEASURABLE HEIGHT
10,00+10,00+4,00MM <sup>2</sup>	32,00MM <sup>2</sup>	4,00+4,00MM <sup>2</sup>	6,85MM
2,50+2,50+2,50+2,50+4,00MM <sup>2</sup>	28,00MM <sup>2</sup>	10,00+4,00MM <sup>2</sup>	6,85MM

CRIMPING DATA			
TERMINAL DESCRIPTION: TUBE			
DISC LETTER	CRIMP HEIGHT	WIRE SIZE	STRIP LENGTH
A5	4,70 MM +-0,1MM	32,00MM <sup>2</sup>	20,0 MM
D1	4,25 MM +-0,1MM	28,00MM <sup>2</sup>	20,0 MM
CRIMPER	CRIMP WIDTH	TYPE	APPLICATION SPEC
WIRE	13,70MM +-0,20MM	SPECIAL.	---
INSULATION	-	-	-
INSULATION RANGE	WIRE RANGE	GAUGE	
-	25,00-35,00 MM <sup>2</sup>	---	
TO USE TERMINAL			
04007.321.011(LEAR)			

REVISIONS					
P	LTR	DESCRIPTION	DATE	DWN	APVD
	A	RELEASED	20MAR2015	EAO	CCL



- NOTES:
- 1-GUARD MUST BE IN PLACE WHEN OPERATING APPLICATOR IN BENCH PRESS.
  - 2-ONLY THE ITEMS WITH QUANTITY ARE USED ON THIS APPLICATOR.
  - 3-ELETRICAL DIAGRAM: SEE P/N 2076504-1
  - 5-LOCTITE 222
  - 6-FOR MORE DETAILS SEE SHEET 2 OF 2

- KEYS:
- -SPARE PARTS RECOMMENDED.
  - ▭ -GREASY LIGHTLY.

QTY	UNIT	PART NUMBER	DESCRIPTION	ITEM
1	1	2076873-1	APPLICATOR GUARD	84
2	2	18023-4	SCREW, CAP, SKT HEAD	83
1	1	2076840-4	COVER, BLOCK ANVIL	82
1	1	1-18024-7	SCREW, BUTTON, SKT HEAD	81
1	1	2076653-1	ADAPTER LOCK LEVER	80
1	1	21028-4	PIN, SLOTTED SPRING	73
1	1	1707670-1	WIRE DISC, FINE ADJUSTMENT	71
1	1	1707150-2	WASHER FLAT	70
1	1	1-992946-4	PIN, DOWEL	69
1	1	2076515-1	RAM	68
1	1	690191-1	PLUG, NYLON	67
1	1	18032-8	SCREW, SET, SKT, FLAT POINT	66
1	1	9-624501-2	MAGNET	65
1	1	2076837-2	CRIMPER SUPPORT	62
1	1	2-18024-6	SCREW, BUTTON, SKT HEAD	58
7-7	7-1	-1	PART NUMBER	ITEM

QTY	UNIT	PART NUMBER	DESCRIPTION	ITEM
1	1	2076513-2	HOUSING APPLICATOR	57
1	1	3-196804-4	SENSOR	56
1	1	3-196804-5	CONECTOR	55
1	1	5-196470-2	SCREW, HEXAGONAL HEAD	54
1	1	18030-4	HEXAGONAL NUT	53
-	-	-	PIN INSERT	46
1	1	2076839-2	PIN INSERT	45
2	2	18032-2	SCREW, SET, SKT, FLAT POINT	44
1	1	2076514-1	CAP, RAM	43
1	1	994970-2	COUNTER	42
4	4	4-18023-1	SCREW, CAP, SKT HEAD	41
1	1	2076838-2	INSERT CRIMPER	40
2	2	18023-2	SCREW, CAP, SKT HEAD	39
2	2	1-18023-3	SCREW, CAP, SKT HEAD	38
1	1	9-992946-4	PIN, DOWEL	37
1	1	1707783-2	LOCK SUPPORT	36
1	1	1707755-3	KNOB	35
1	1	1707785-1	LOCK LEVER RELEASE	34
1	1	3-22279-7	SPRING, COMPRESSION	33
1	1	1707784-1	LOCK PAWL	32
4	4	2-18023-0	SCREW, CAP, SKT HEAD	31
1	1	2076849-2	SUPPORT POSITIONER	30
1	1	2076849-1	SUPPORT POSITIONER	29
1	1	2076516-1	GUIDE, LEFT	28
1	1	2076517-1	GUIDE, RIGHT	27
7	7	1-18023-0	SCREW, CAP, SKT HEAD	26
2	2	2076847-1	POSITIONER CABLE INF	25
2	2	22280-9	SPRING, COMPRESSION	24
2	2	2076846-1	POSITIONER CABLE SUP	23
2	2	1707118-1	PIN	22
4	4	2076848-1	SIDE COVER	21
4	4	21045-3	RING, RETAINING	20
15	15	18025-2	WASHER SPRING LOCK	19
8	8	18024-6	SCREW, CAP, SKT HEAD	18
1	1	2076843-2	ANVIL	17
1	1	2076845-1	BLOCK, GUIDE CABLE	16
1	1	2076842-2	LEFT BLOCK, ANVIL	15
1	1	2076841-2	RIGHT BLOCK, ANVIL	14
2	2	2076844-2	SLIDING TERMINAL SUPPORT	13
4	4	3-22279-1	SPRING, COMPRESSION	12
1	1	2076840-3	COVER, BLOCK ANVIL	11
4	4	7-18023-6	SCREW, CAP, SKT HEAD	10
3	3	1-18023-3	SCREW, CAP, SKT HEAD	08
1	1	1707779-2	KNOB	07
1	1	2076518-3	SLIDING BASE PLATE	06
2	2	1-18024-8	SCREW, BUTTON, SKT HEAD	05
5	5	18024-7	SCREW, BUTTON, SKT HEAD	04
1	1	2076512-2	BASE PLATE	03
2	2	1-992946-6	PIN, DOWEL	02
4	4	1-18024-9	SCREW, BUTTON, SKT HEAD	01
7-7	7-1	-1	PART NUMBER	ITEM

MID SIZE WIRE APPLICATOR FOR STANDARD BENCH CRIMPING PRESS WITH A SHUT HEIGHT OF 135.8 MM. RECOMMENDED: CRIMPATIC 970(5 TON).

THIS DRAWING IS A CONTROLLED DOCUMENT.

DWN: 09DEC2014  
 CHK: EVERALDO O  
 C. LIMA  
 APVD: 09DEC2014  
 C. LIMA

TE Connectivity

MID SIZE WIRE APPLICATOR (LOOSE PIECE VERSION)

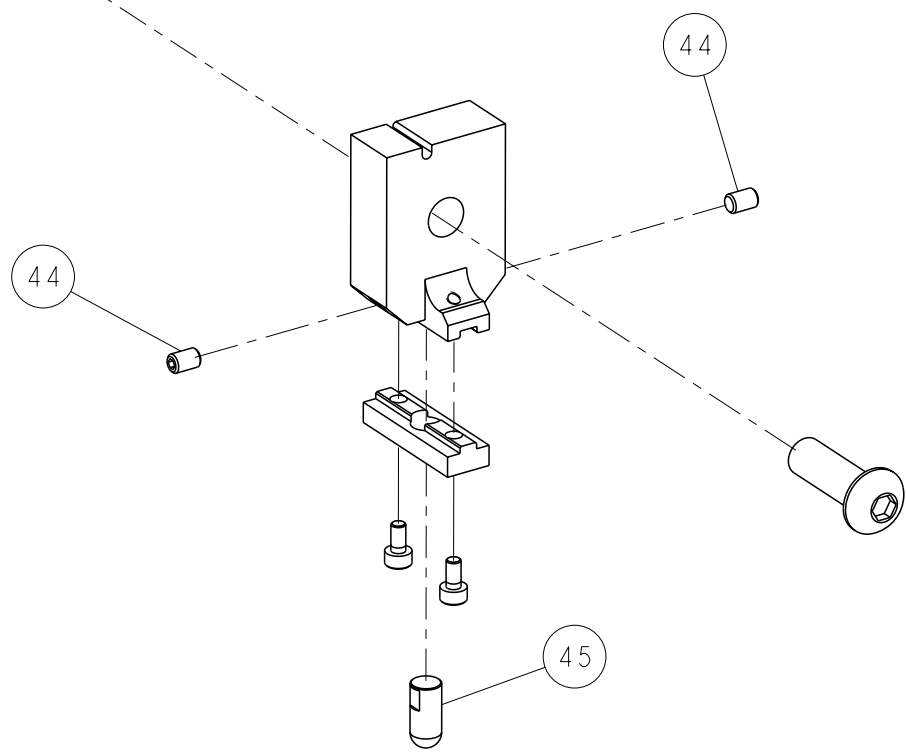
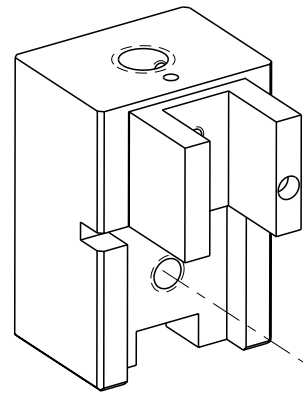
SIZE: A2 CAGE CODE: 00779 DRAWING NO: 2276089

RESTRICTED TO: -

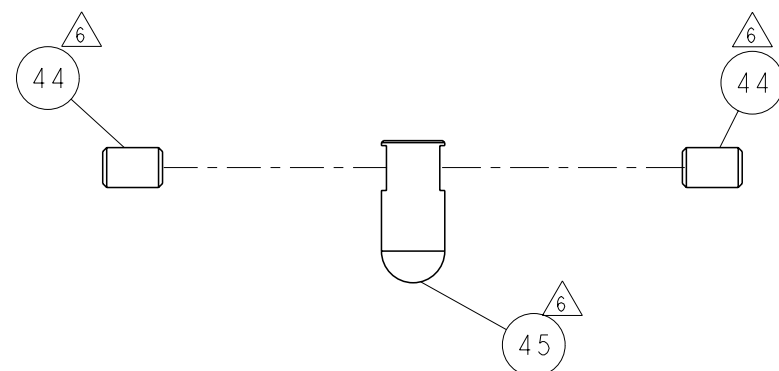
CUSTOMER DRAWING SCALE: - SHEET: 1 OF 2 REV: A


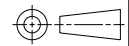
THIS DRAWING IS UNPUBLISHED. RELEASED FOR PUBLICATION 20  
 © COPYRIGHT 20 ALL RIGHTS RESERVED.

LOC	DIST	REVISIONS					
AP	-	P	LTR	DESCRIPTION	DATE	DWN	APVD
		-		SEE SHEET 1			



NOTE: 6  
 ITEM 44 MUST BE ALIGNED WITH FLAT FACE OF THE PIN INSERT, ITEM 45



THIS DRAWING IS A CONTROLLED DOCUMENT.		DWN EVERALDO O	09DEC2014	 TE Connectivity
DIMENSIONS: mm		CHK C. LIMA	09DEC2014	
		APVD C. LIMA	09DEC2014	
TOLERANCES UNLESS OTHERWISE SPECIFIED:		NAME MID SIZE WIRE APPLICATOR (LOOSE PIECE VERSION)		
0 PLC ± 1 PLC ± 2 PLC ± 3 PLC ± 4 PLC ± ANGLES ± FINISH		PRODUCT SPEC -		SIZE A200779
MATERIAL -		APPLICATION SPEC -		CAGE CODE C=2276089
		WEIGHT -		DRAWING NO 2276089
		CUSTOMER DRAWING		RESTRICTED TO -
		SCALE -		SHEET 2 OF 2 REV A