

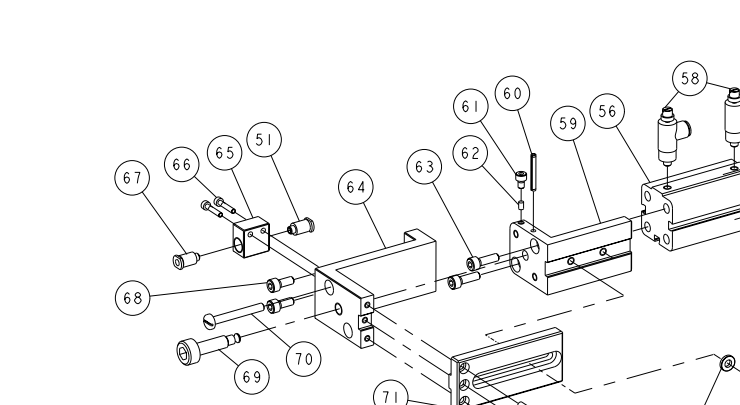
THIS DRAWING IS UNPUBLISHED. RELEASED FOR PUBLICATION 20

COPYRIGHT 20

ALL RIGHTS RESERVED.

CRIMPING DATA (DADOS DE GRAMPEAÇÃO)

Table with crimping data including terminal name (MCON - 1.2 CB), disc letter (A, B, C, D), crimp height (0.95 mm, 0.84 mm), wire size (0.75 mm², 0.50 mm²), wire strip length (3.30 +/- 0.3 mm), crimp width (1.57 mm), and terminal application specifications.



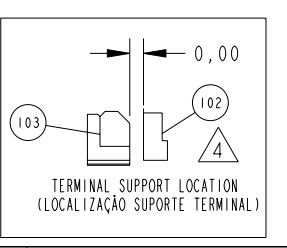
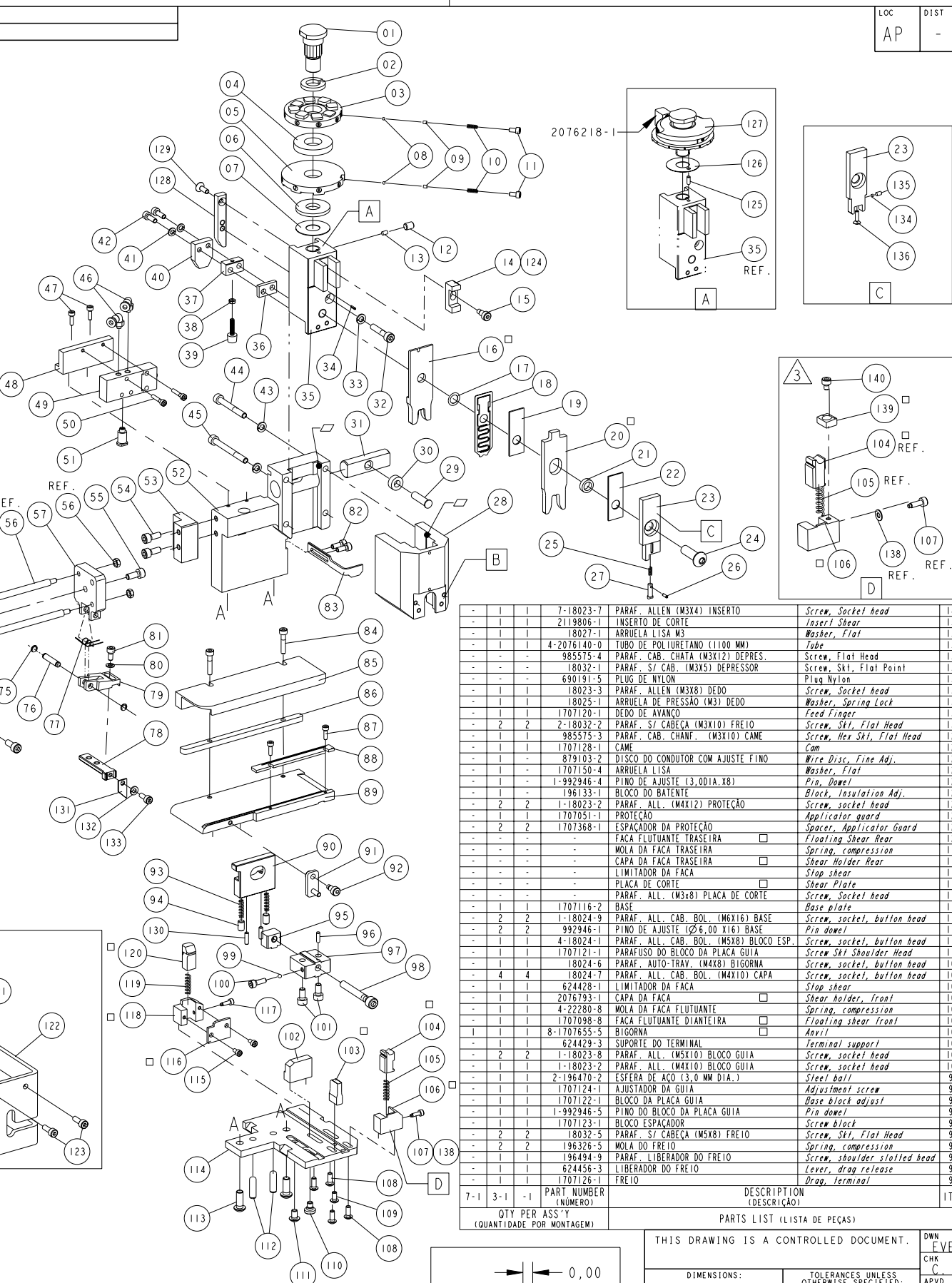
- NOTE: 1 - GUARD MUST BE IN PLACE WHEN OPERATING APPLICATOR IN BENCH PRESS. 2 - ONLY THE ITEMS WITH QUANTITY ARE USED ON THIS APPLICATOR. 3 - TO CONVERT THE APPLICATOR TO A NON-CARRIER CUTTING STYLE, REMOVE ITEMS 139 & 140. 4 - TERMINAL SUPPORT LOCATION.

- KEYS: □ - SPARE PARTS RECOMMENDED. ▢ - GREASY LIGHTLY.

- NOTAS: 1 - USAR PROTEÇÃO QUANDO FOR USADO EM PRENSA DE BANCADA. 2 - APENAS OS ITENS COM QUANTIDADES ESPECIFICADAS SÃO USADOS NESTE APLICADOR. 3 - PARA "NÃO" CORTAR A FITA DO CARRIER, REMOVA OS ITENS 139 E 140. 4 - LOCALIZAÇÃO SUPORTE TERMINAL.

- RECOMENDAÇÕES: □ - PEÇAS DE DESGASTE O CLIENTE SERÁ RESPONSÁVEL PELA REPOSIÇÃO. ▢ - ENGRAXAR LEVEMENTE.

Table with 2 columns: PART NUMBER (NÚMERO) and DESCRIPTION (DESCRIÇÃO). Rows include kit numbers like 7-2276074-1 and 3-2276074-1.



REVISIONS table with columns: P, LTR, DESCRIPTION, DATE, DWN, APVD. Row 1: A, RELEASED, 30OCT2014, EAO, CCL.

Parts list table with columns: QTY PER ASS'Y, PART NUMBER, DESCRIPTION, ITEM. Lists various components like screws, washers, springs, and guides.

Controlled document header and drawing information including dimensions, tolerances, material, weight, and customer drawing details.