

THIS DRAWING IS UNPUBLISHED.

RELEASED FOR PUBLICATION

ALL RIGHTS RESERVED.

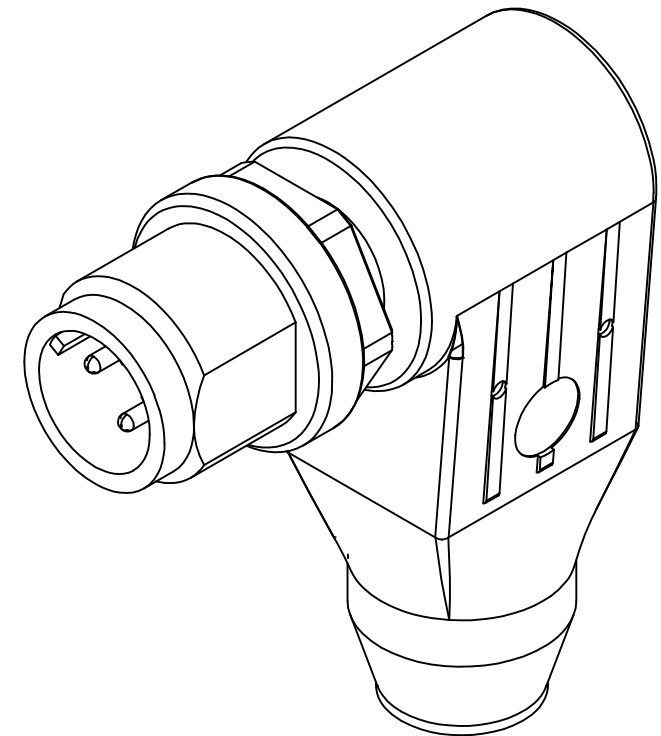
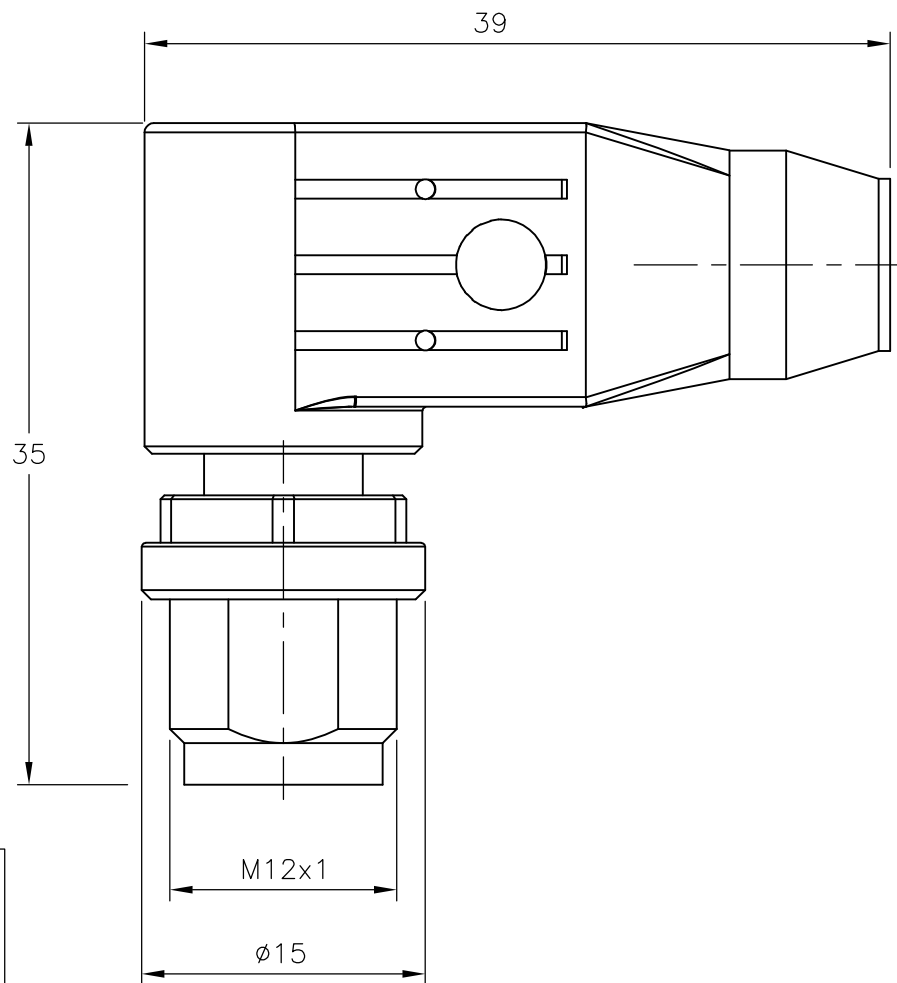
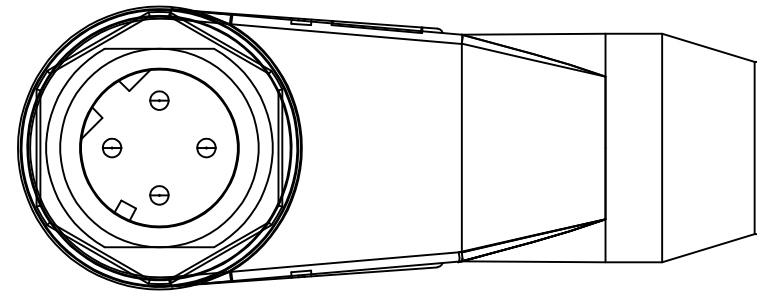
© COPYRIGHT - By -

LOC

DIST

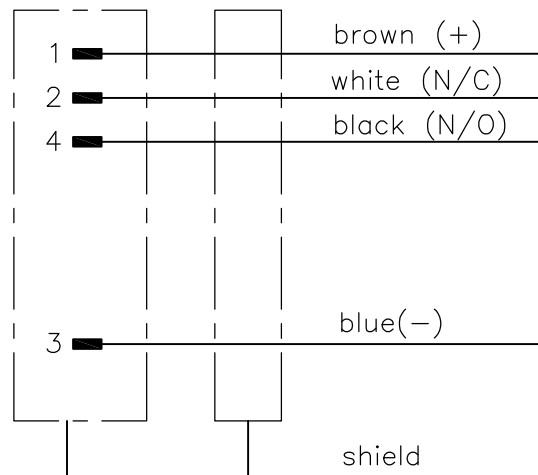
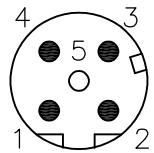
REVISIONS

| P | LTR | DESCRIPTION | DATE | DWN | APVD |
|---|-----|-----------------|-----------|-----|------|
| | A | INITIAL RELEASE | 29APR2014 | YC | BvH |




Circuit diagram

Contact Layout Male



| | |
|-----------------------------|-----------|
| M12 ANGLED PLUG 4POS SHLD D | 2273228-1 |
| DESCRIPTION | TE PN |

| | | | | | |
|---|--|--------------------------------|-----------|---|-----------|
| THIS DRAWING IS A CONTROLLED DOCUMENT. | | DWN | 29APR2014 |  TE Connectivity | |
| DIMENSIONS: mm | | CHK | 29APR2014 | | |
| TOLERANCES UNLESS OTHERWISE SPECIFIED: | | B.VELDHOVEN A.VAN ZANDVOORT | | | |
| 0 PLC ± - 1 PLC ± - 2 PLC ± - 3 PLC ± - 4 PLC ± - ANGLES ± - | | NAME | | | |
| MATERIAL | | FINISH | | M12 ANGLED PLUG 4POS SHLD D | |
| - | | - | | SIZE | A3 |
| | | WEIGHT | | CAGE CODE | 00779 |
| | | CUSTOMER DRAWING | | DRAWING NO | C-2273228 |
| | | | | RESTRICTED TO | - |
| | | | | SCALE | NTS |
| | | | | SHEET | 1 OF 1 |
| | | | | REV | A |