

THIS DRAWING IS UNPUBLISHED.

RELEASED FOR PUBLICATION

ALL RIGHTS RESERVED.

LOC

DIST

REVISIONS

© COPYRIGHT - By -

P

LTR

DESCRIPTION

DATE

DWN

APVD

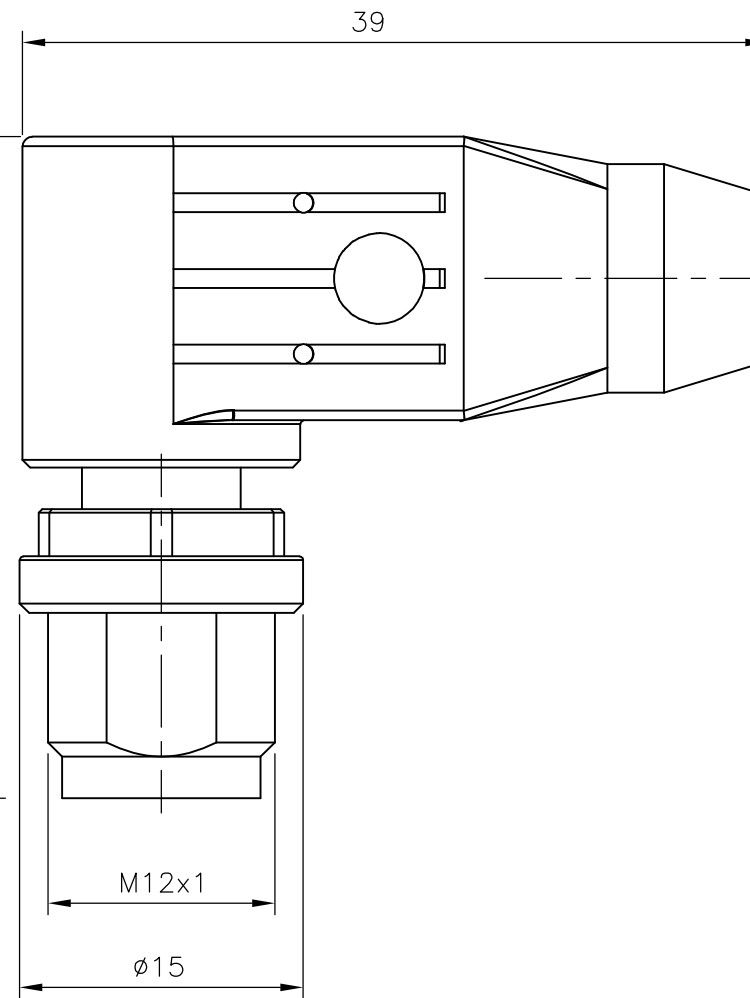
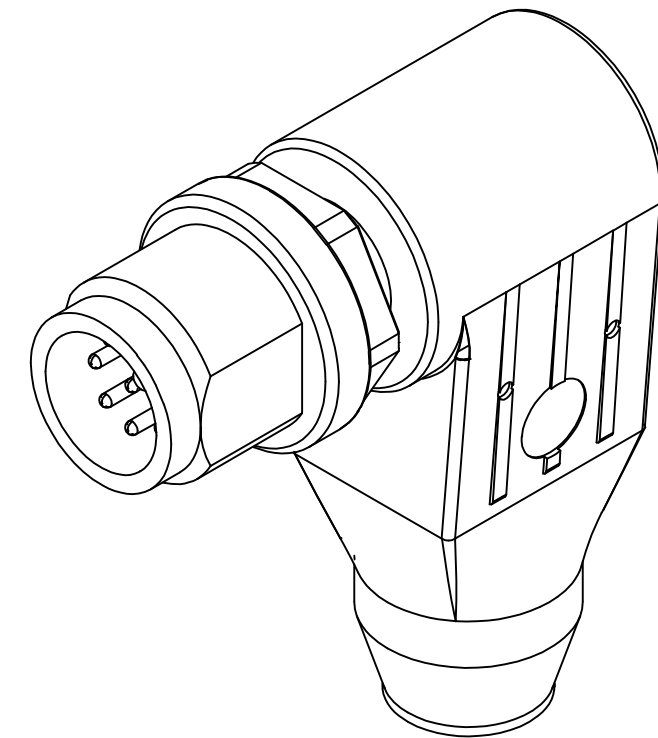
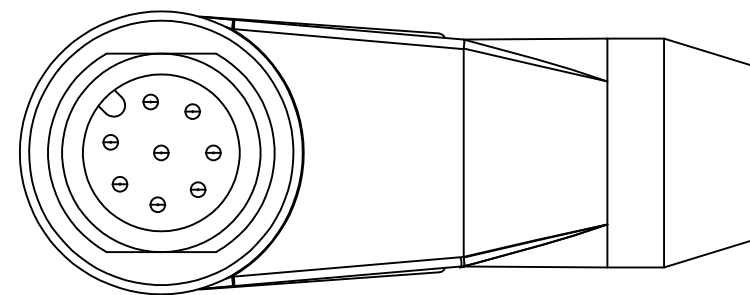
A

INITIAL RELEASE

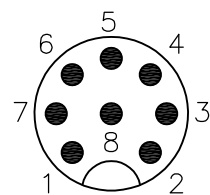
29APR2014

YC

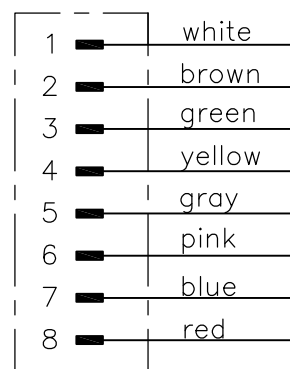
BvH




Contact Layout Male



Circuit diagram



M12 ANGLED PLUG 8POS A	2273226-1
DESCRIPTION	TE PN

THIS DRAWING IS A CONTROLLED DOCUMENT.		DWN	29APR2014	 TE Connectivity	
DIMENSIONS: mm		CHK	29APR2014		
TOLERANCES UNLESS OTHERWISE SPECIFIED:		B.VELDHOVEN APVD 29APR2014 A.VAN ZANDVOORT			
MATERIAL		NAME			
0 PLC ± - 1 PLC ± - 2 PLC ± - 3 PLC ± - 4 PLC ± - ANGLES ± -		PRODUCT SPEC		M12 ANGLED PLUG 8POS A	
FINISH		APPLICATION SPEC		SIZE	RESTRICTED TO
-		WEIGHT		A3	-
		CUSTOMER DRAWING		CAGE CODE	DRAWING NO
				00779	C-2273226
		SCALE		SHEET	REV
		NTS		1 OF 1	A