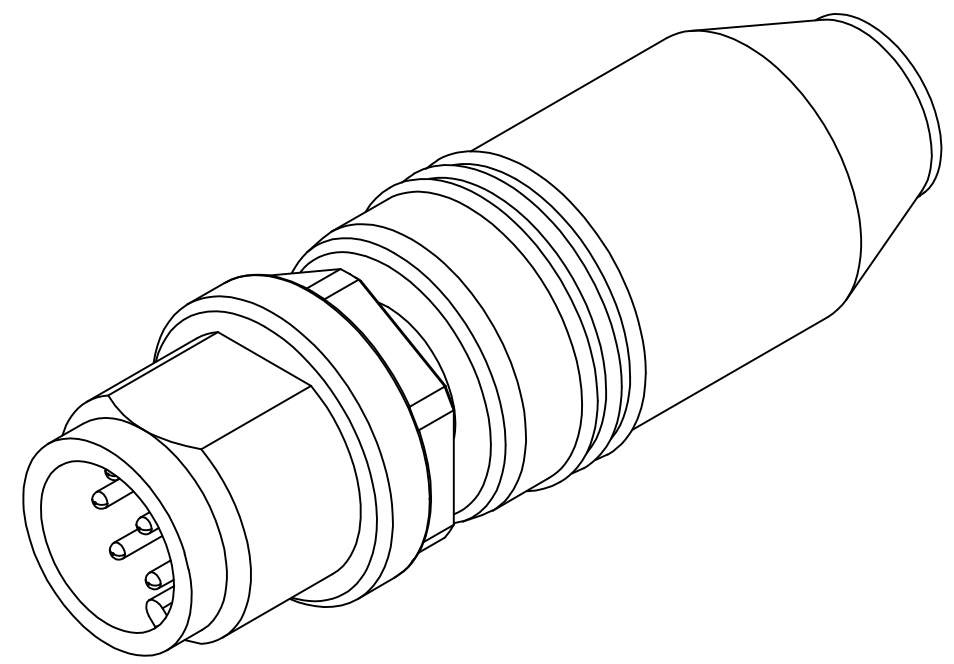
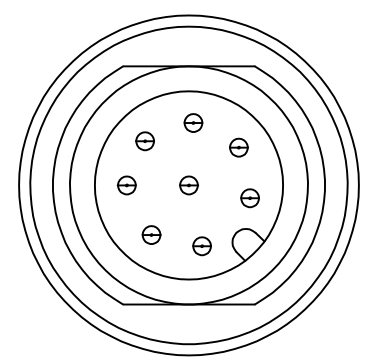
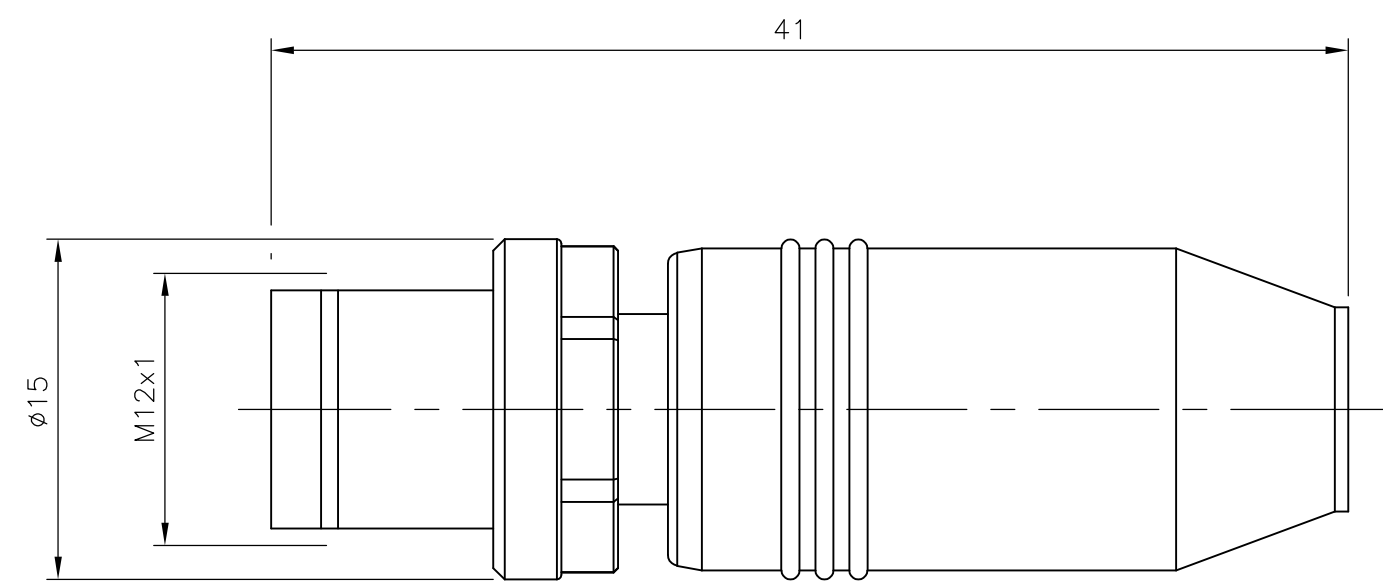
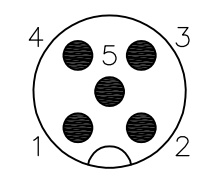


THIS DRAWING IS UNPUBLISHED. RELEASED FOR PUBLICATION
 © COPYRIGHT - By - ALL RIGHTS RESERVED.

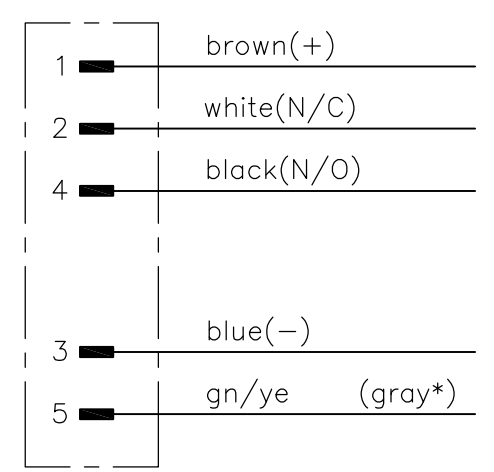
LOC	DIST	REVISIONS			
P	LTR	DESCRIPTION	DATE	DWN	APVD
H	-	A	INITIAL RELEASE	29APR2014	YC BvH



Contact Layout Male



Circuit diagram



(*for cable type 126 and 732)

M12 STRAIGHT PLUG 8POS A	2273214-1
DESCRIPTION	TE PN

THIS DRAWING IS A CONTROLLED DOCUMENT.		DWN	29APR2014	TE Connectivity
		CHK	29APR2014	
		APVD	29APR2014	
		A.VAN ZANDVOORT		NAME
		M12 STRAIGHT PLUG 8POS A		
DIMENSIONS: mm		TOLERANCES UNLESS OTHERWISE SPECIFIED:		
		0 PLC	± -	
		1 PLC	± -	
		2 PLC	± -	
		3 PLC	± -	
		4 PLC	± -	
		ANGLES	± -	
MATERIAL		FINISH		
		WEIGHT		
		CUSTOMER DRAWING		
		SIZE	CAGE CODE	DRAWING NO
		A3	00779	C-2273214
		SCALE		RESTRICTED TO
		NTS		-
		SHEET	1 OF 1	REV
				A