

4

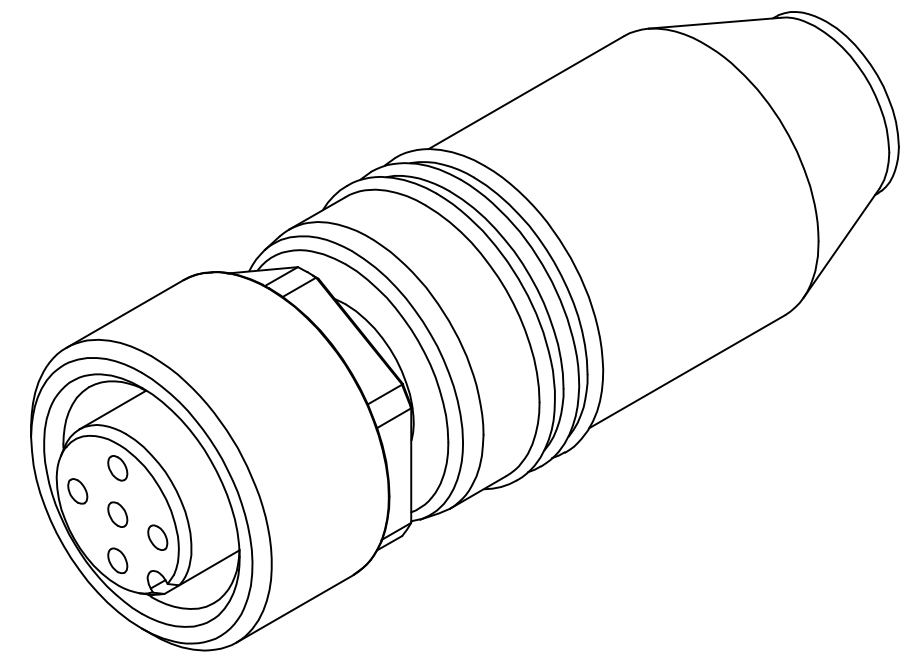
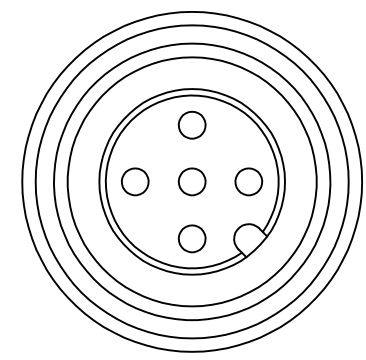
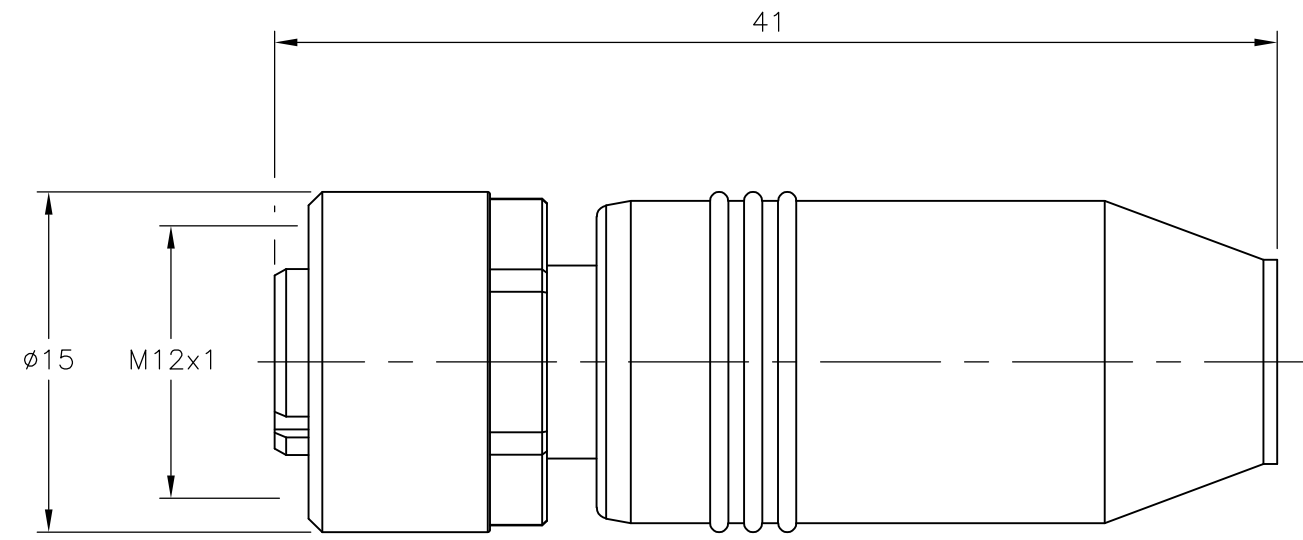
3

2

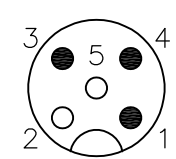
1

THIS DRAWING IS UNPUBLISHED.      RELEASED FOR PUBLICATION      - , - .  
 © COPYRIGHT - By -      ALL RIGHTS RESERVED.

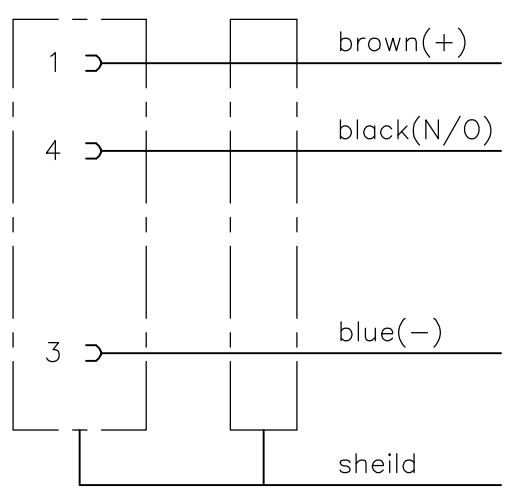
LOC	DIST	REVISIONS					
		P	LTR	DESCRIPTION	DATE	DWN	APVD
H	-		A	INITIAL RELEASE	29APR2014	GSK	BvH




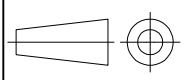
Contact Layout  
Female



Circuit diagram



M12 X 1.0 STRAIGHT SOCKET 3POS SHLD A	2273190-1
DESCRIPTION	TE PN

THIS DRAWING IS A CONTROLLED DOCUMENT.		DWN 29APR2014 SATHISH KUMAR .G	 TE Connectivity NAME M12 STRAIGHT SOCKET 3POS SHLD A	
DIMENSIONS: mm		CHK 29APR2014 B.VELDHOVEN		
		APVD 29APR2014 A.VAN ZANDVOORT		
MATERIAL		PRODUCT SPEC		
TOLERANCES UNLESS OTHERWISE SPECIFIED:		APPLICATION SPEC	SIZE	
0 PLC ± -	1 PLC ± -	2 PLC ± -	3 PLC ± -	CAGE CODE
4 PLC ± -	ANGLES ± -	FINISH	WEIGHT	DRAWING NO
				RESTRICTED TO
				SCALE
				SHEET
				REV