

THIS DRAWING IS UNPUBLISHED.

RELEASED FOR PUBLICATION

ALL RIGHTS RESERVED.

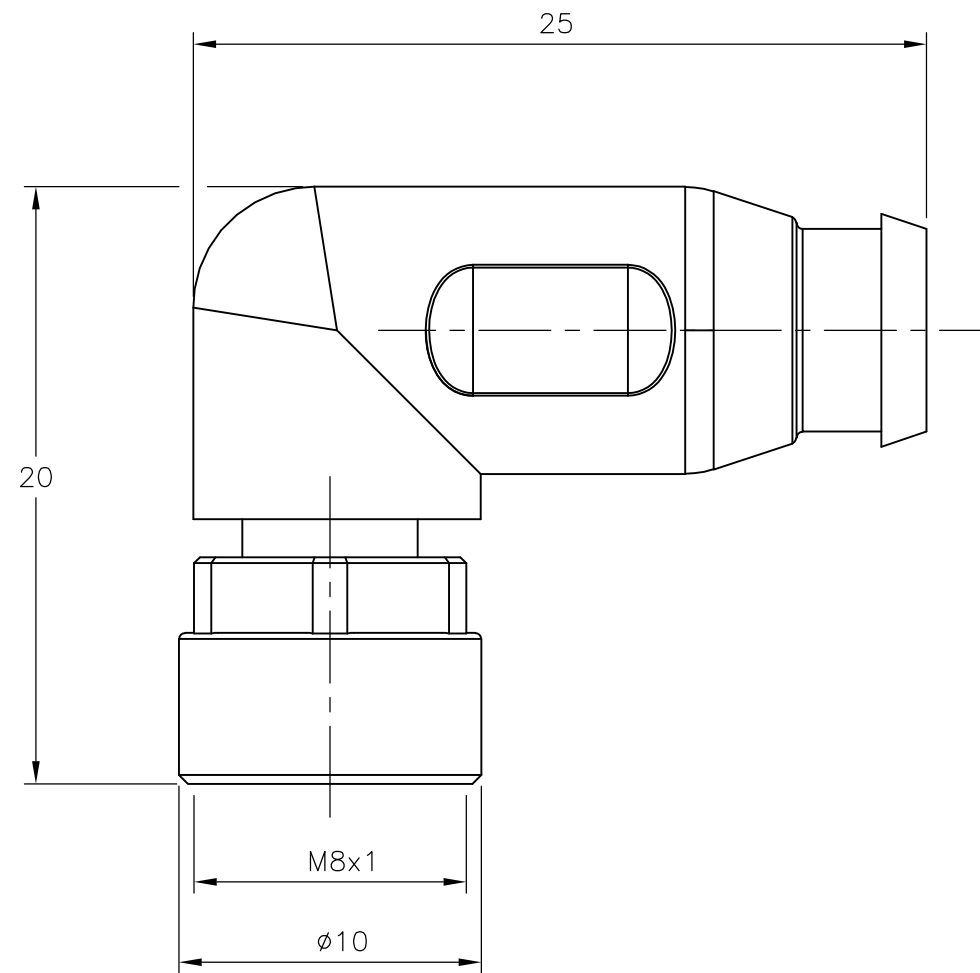
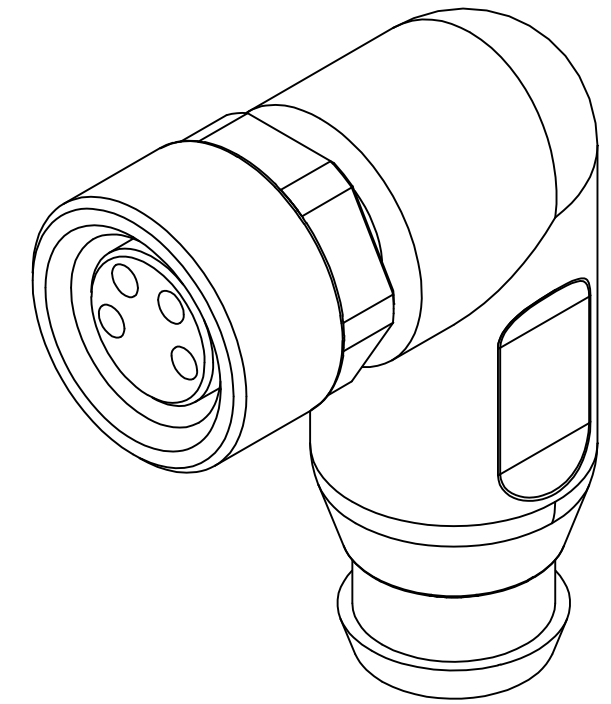
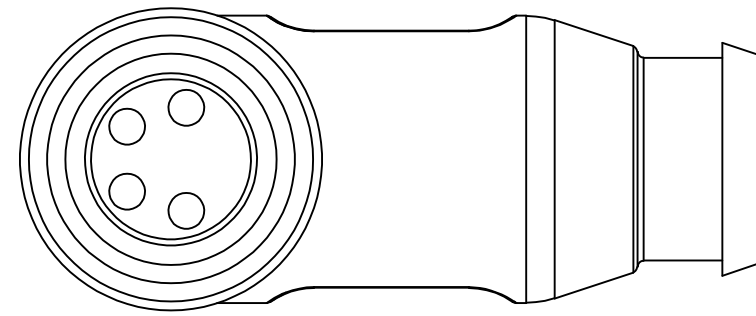
LOC

DIST

REVISIONS

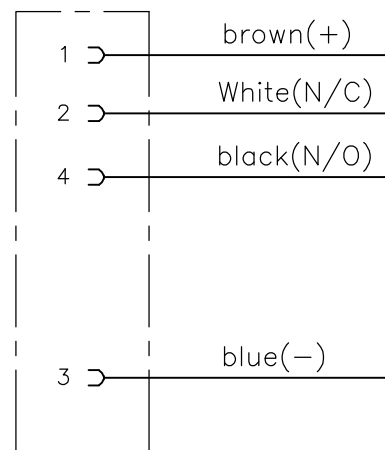
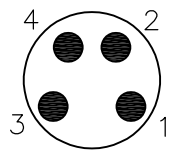
© COPYRIGHT - By -

P	LTR	DESCRIPTION	DATE	DWN	APVD
	A	INITIAL RELEASE	29APR2014	GSK	BvH




Circuit diagram

Contact Layout Female



M8 X 1.0 ANGLED SOCKET 4POS	2273179-1
DESCRIPTION	TE PN

THIS DRAWING IS A CONTROLLED DOCUMENT.		DWN 29APR2014 SATHISH KUMAR .G	 TE Connectivity NAME M8 X 1.0 ANGLED SOCKET 4POS											
DIMENSIONS: mm		CHK 29APR2014 B.VELDHOVEN												
TOLERANCES UNLESS OTHERWISE SPECIFIED:		APVD 29APR2014 A.VAN ZANDVOORT												
<table border="1"> <tr><td>0 PLC</td><td>± -</td></tr> <tr><td>1 PLC</td><td>± -</td></tr> <tr><td>2 PLC</td><td>± -</td></tr> <tr><td>3 PLC</td><td>± -</td></tr> <tr><td>4 PLC</td><td>± -</td></tr> <tr><td>ANGLES</td><td>± -</td></tr> </table>		0 PLC		± -	1 PLC	± -	2 PLC	± -	3 PLC	± -	4 PLC	± -	ANGLES	± -
0 PLC	± -													
1 PLC	± -													
2 PLC	± -													
3 PLC	± -													
4 PLC	± -													
ANGLES	± -													
MATERIAL		FINISH	APPLICATION SPEC											
-		-	SIZE CAGE CODE DRAWING NO RESTRICTED TO											
-		-	A3 00779 C-2273179											
CUSTOMER DRAWING			SCALE NTS SHEET 1 OF 1 REV A											