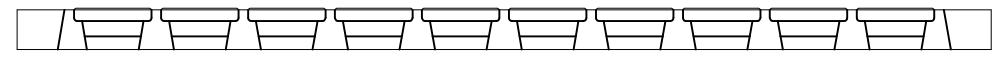
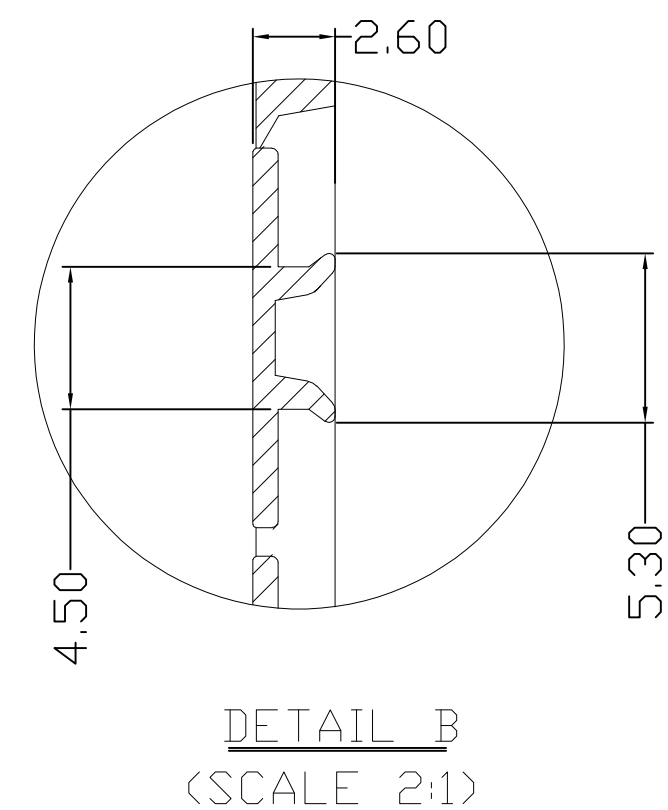
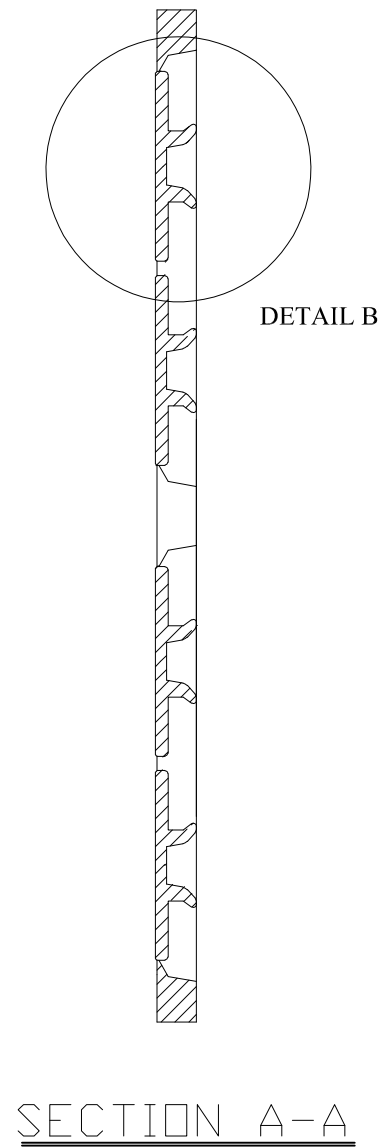
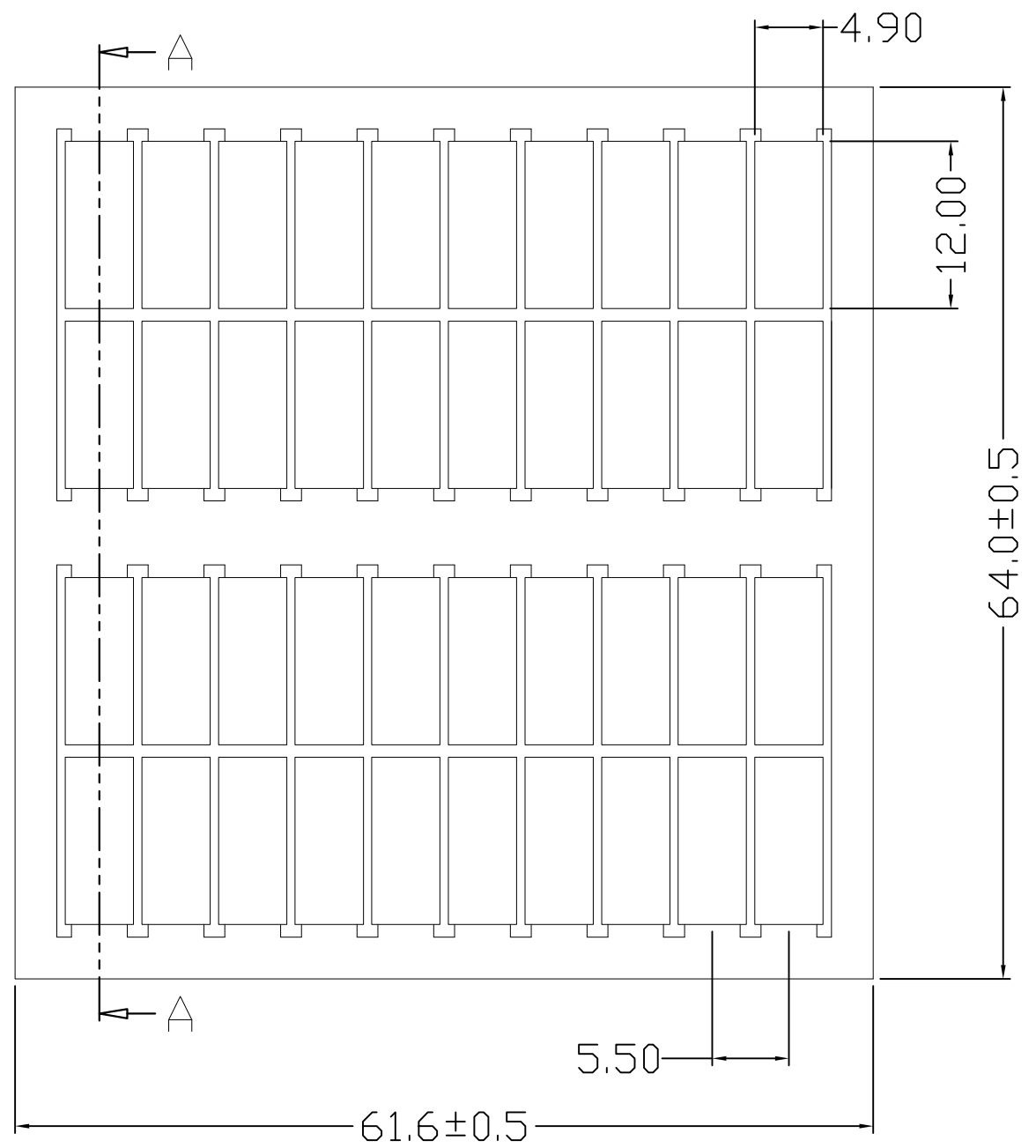


THIS DRAWING IS UNPUBLISHED. RELEASED FOR PUBLICATION
 © COPYRIGHT - By - ALL RIGHTS RESERVED.

REVISIONS					
P	LTR	DESCRIPTION	DATE	DWN	APVD
	A	OFFICIAL VERSION RELEASE	25DEC2016	F.Y	X.X



- NOTES:**
- MATERIAL:**
HOUSING:TERMOPLASTIC,UL94 V-0,COLOR:WHITE ,
 - REQUIREMENT FOR ENVIRONMENTAL SUBSTANCES**
MUST BE COMPLIANCE WITH ROHS AND REACH.

TU-TM 7	2271726-1	40
TE SERIES No.	PART NUMBER	POLES/PC

THIS DRAWING IS A CONTROLLED DOCUMENT.		DWN FENCER YU 25DEC2016	STE TE Connectivity		
DIMENSIONS: mm		CHK KOBBY ZHAO 25DEC2016			
TOLERANCES UNLESS OTHERWISE SPECIFIED:		APVD XIANG XU 25DEC2016	NAME MARKING LABEL FOR SCREW TYPE TERMINAL BLOCK		
0 PLC ± 0.50		PRODUCT SPEC	-		
1 PLC ± 0.30		APPLICATION SPEC	-		
2 PLC ± 0.20		114-137172	SIZE	CAGE CODE	DRAWING NO
3 PLC ± -		8.0 g	A3	00779	C-2271726
4 PLC ± -		CUSTOMER DRAWING	RESTRICTED TO		-
ANGLES ± -		SCALE 1:1	SHEET 1 OF 1		REV A
FINISH -					