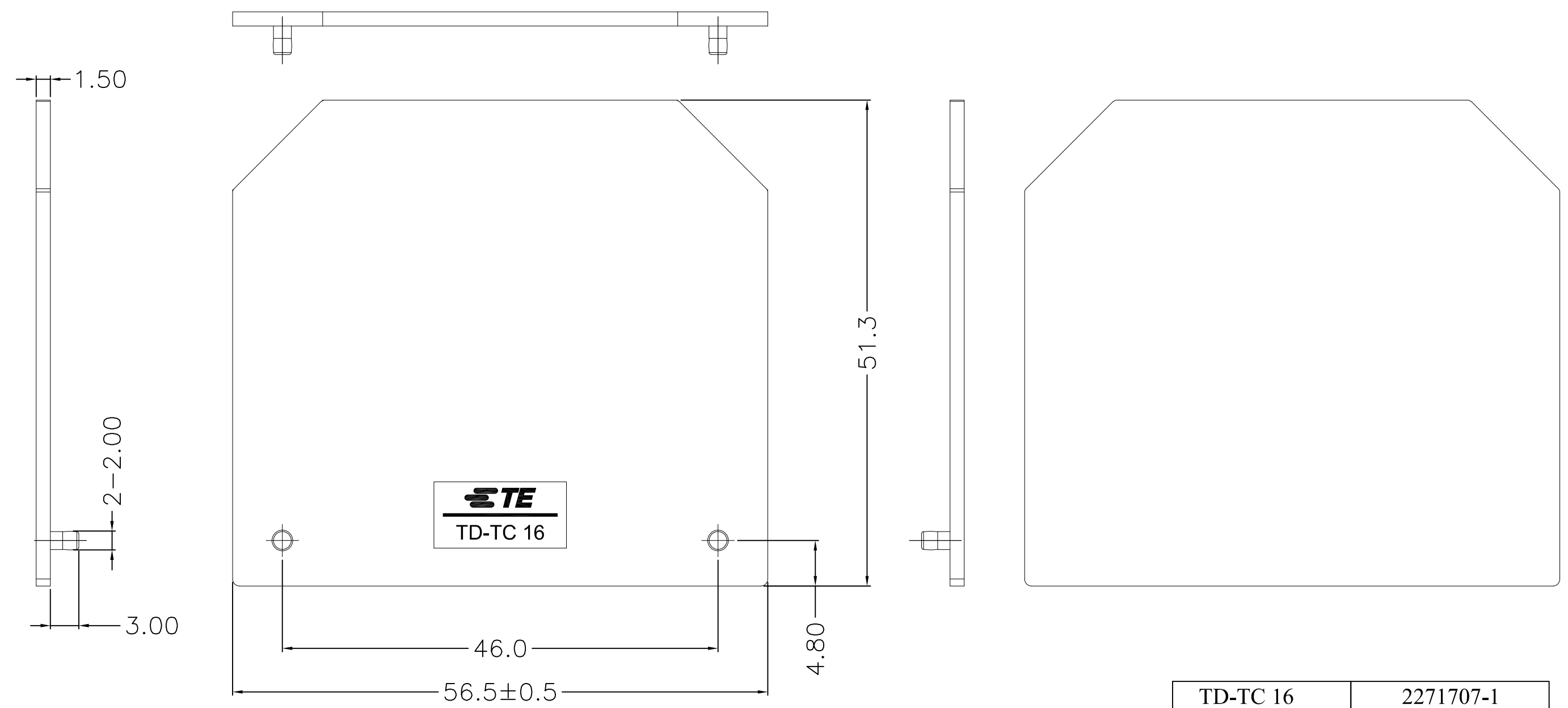


THIS DRAWING IS UNPUBLISHED. RELEASED FOR PUBLICATION
 © COPYRIGHT - By - ALL RIGHTS RESERVED.

REVISIONS					
P	LTR	DESCRIPTION	DATE	DWN	APVD
	A	OFFICIAL VERSION RELEASE	25DEC2016	F.Y	X.X



TD-TC 16	2271707-1
TE SERIES No.	PART NUMBER

NOTES:

1. Material: Thermoplastic, UL94 V-0, Color: Gray
2. Requirement for environmental substance must be compliance with ROHS and REACH.

THIS DRAWING IS A CONTROLLED DOCUMENT.		DWN	FENCER YU	25DEC2016	TE Connectivity		
DIMENSIONS: mm		CHK	KOBBY ZHAO	25DEC2016			
TOLERANCES UNLESS OTHERWISE SPECIFIED:		APVD	XIANG XU	25DEC2016	NAME		
0 PLC ± 0.50 1 PLC ± 0.40 2 PLC ± 0.30 3 PLC ± - 4 PLC ± - ANGLES ± 3°		PRODUCT SPEC		END COVER FOR SCREW CLAMP TYPE TERMINAL BLOCK			
MATERIAL		APPLICATION SPEC		RESTRICTED TO			
FINISH		114-137172		SIZE	CAGE CODE	DRAWING NO	
		WEIGHT 4.9 g		A3	00779	C-2271707	
CUSTOMER DRAWING				SCALE	1:1	SHEET 1 OF 1	REV A