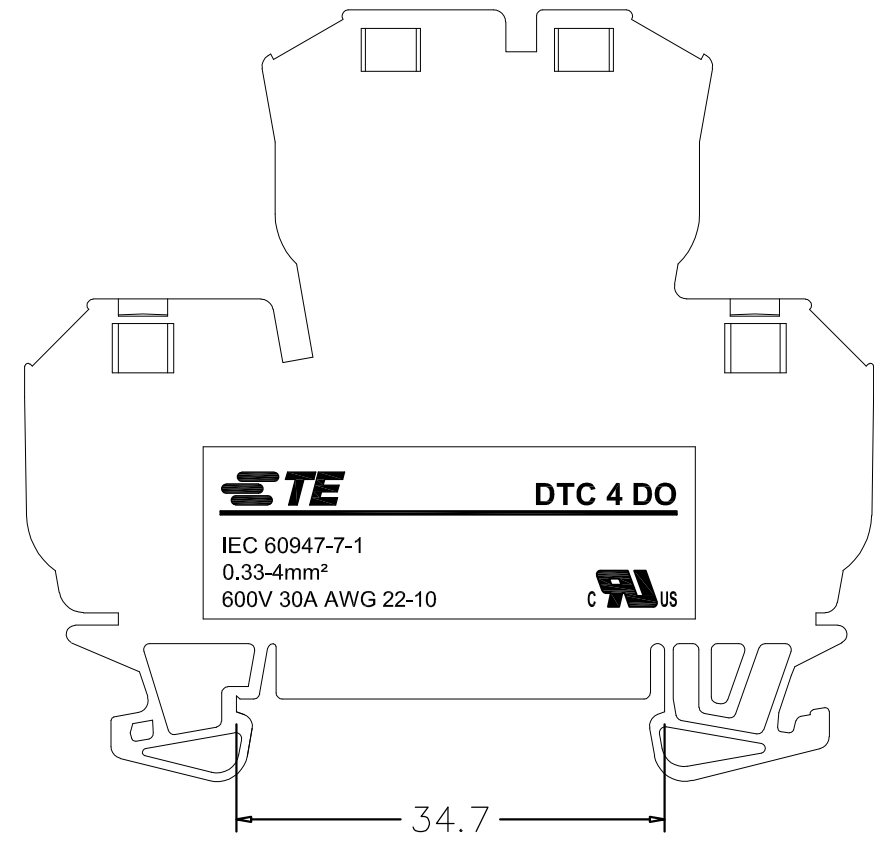
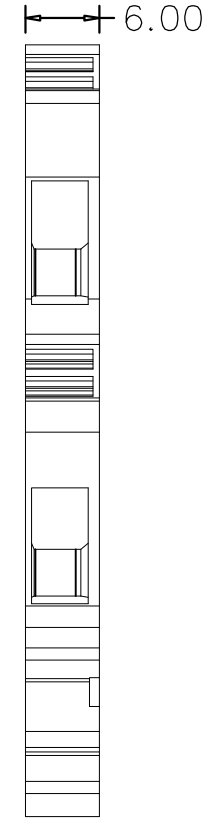
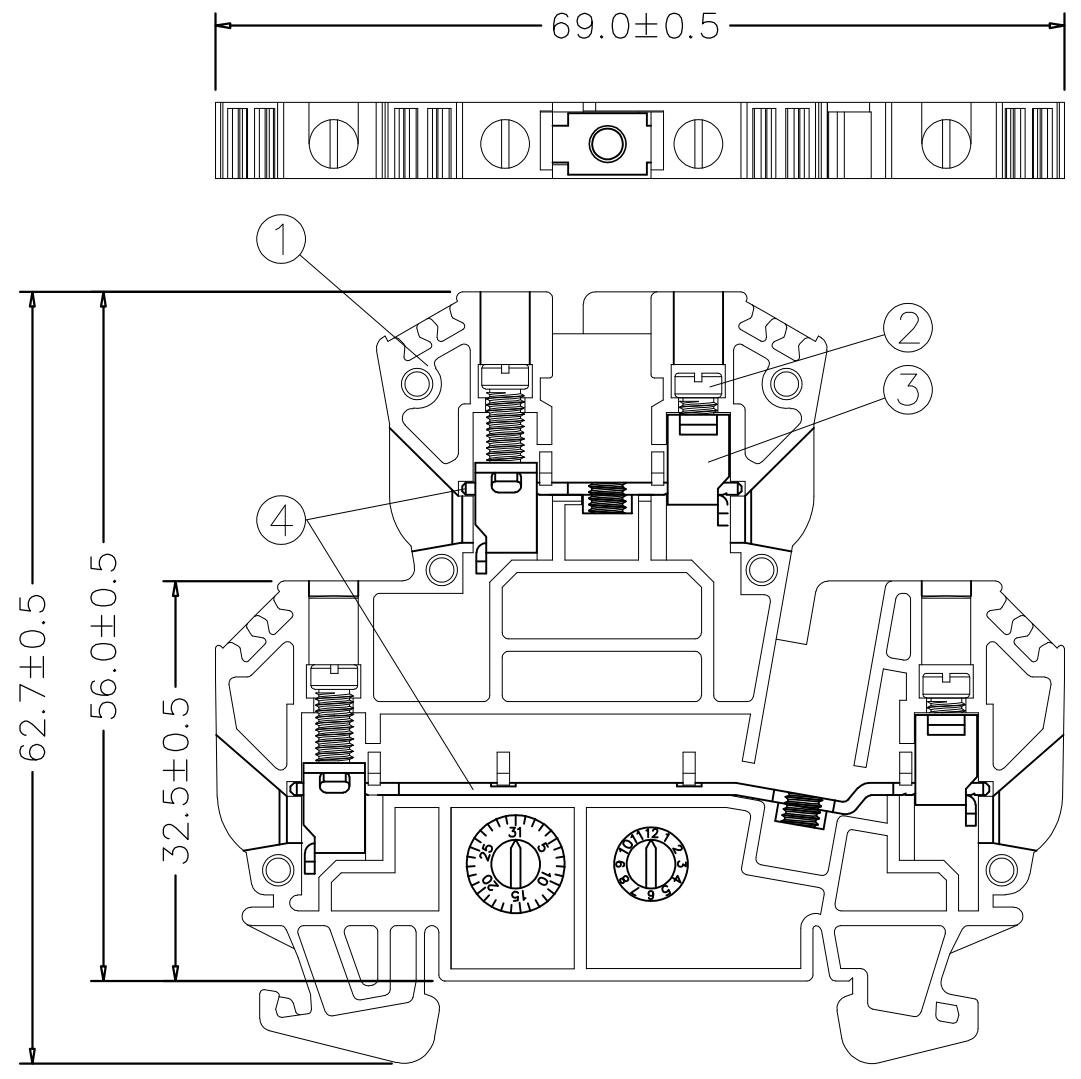


THIS DRAWING IS UNPUBLISHED. RELEASED FOR PUBLICATION  
 © COPYRIGHT - By - ALL RIGHTS RESERVED.

P	LTR	DESCRIPTION	DATE	DWN	APVD
	A	OFFICIAL VERSION RELEASE	25DEC2016	F.Y	X.X



NOTES:

1. Material: See table
2. Rated current & voltage : (UL)30Amp 600V , (IEC)32Amp 800V
3. Impulse withstand voltage: 6KV
4. Screw Size & torque: M3 , 6 lbs-in(0.69Nm)
5. Wire strip length: 8-10mm
6. Suitable wire size : (UL)22 - 10 AWG , (IEC)0.33-4mm²
7. Requirement for environmental substance must be compliance with ROHS and REACH.

DTC 4DO	2271694-5	BLACK
	2271694-4	ORANGE
	2271694-3	RED
	2271694-2	BLUE
	2271694-1	GRAY
TE SERIES No.	PART NUMBER	COLOR

ITEM	COMPONENTS	MATERIAL	Q'TY	PLATING
4	TERMINAL	COPPER ALLOY	2	Tin Plated
3	CLAMP	STEEL	4	Zinc Plated
2	SCREW	STEEL	4	Zinc Plated
1	HOUSING	THERMOPLASTIC	1	

THIS DRAWING IS A CONTROLLED DOCUMENT.		DWN FENCER YU 25DEC2016	TE Connectivity		
DIMENSIONS: mm		CHK KOBBY ZHAO 25DEC2016			
TOLERANCES UNLESS OTHERWISE SPECIFIED:		APVD XIANG XU 25DEC2016	NAME		
0 PLC ± 0.50 1 PLC ± 0.40 2 PLC ± 0.30 3 PLC ± - 4 PLC ± - ANGLES ± 3°		PRODUCT SPEC 108-137172	4mm <sup>2</sup> WIRE 1 IN 1 OUT SCREW TWO LEVEL TYPE TERMINAL BLOCK		
MATERIAL -		FINISH -	APPLICATION SPEC 114-137172	SIZE A3	CAGE CODE 00779
			WEIGHT 14.6 g	DRAWING NO C-2271694	RESTRICTED TO -
CUSTOMER DRAWING			SCALE 1:1	SHEET 1 OF 1	REV A