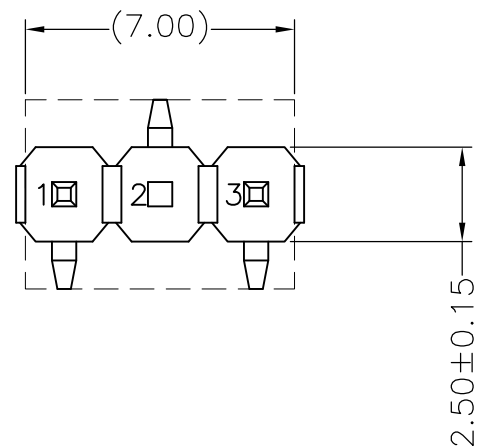
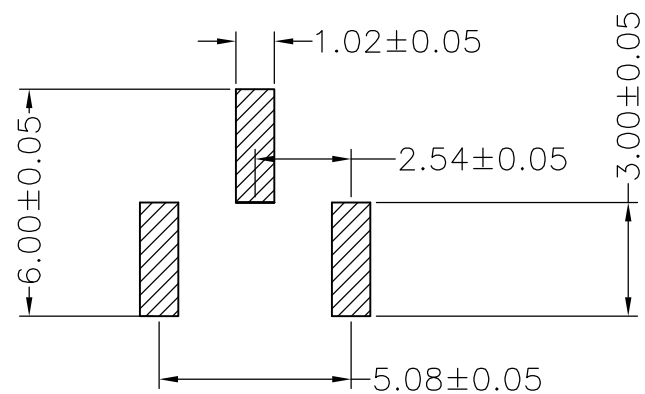
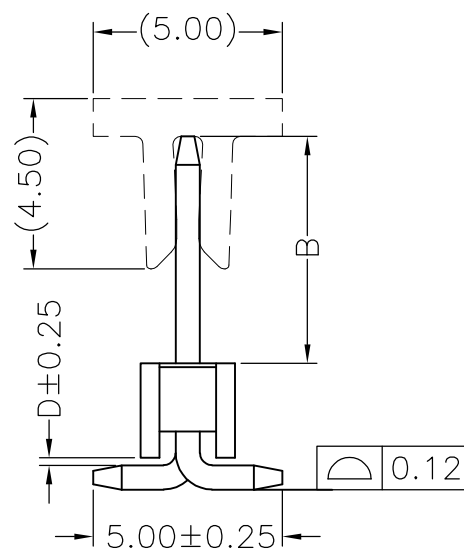
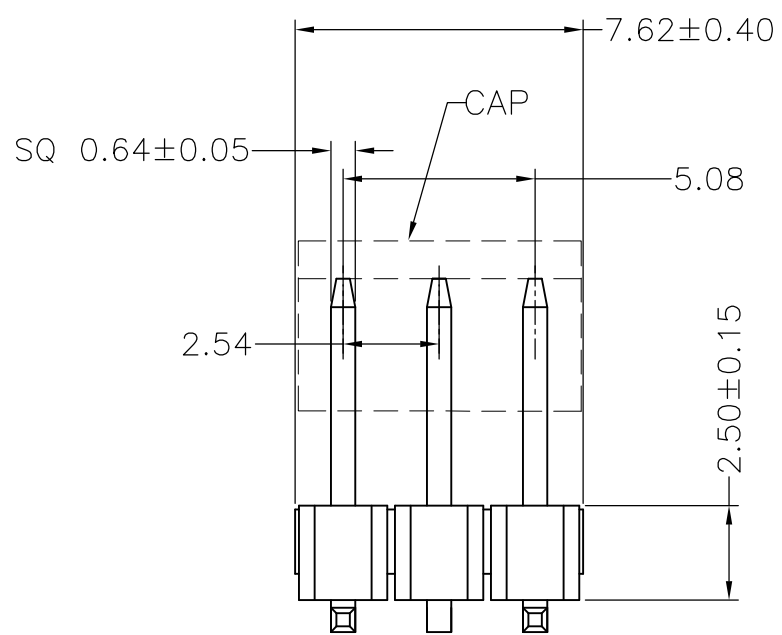


THIS DRAWING IS UNPUBLISHED. RELEASED FOR PUBLICATION
 © COPYRIGHT - By - ALL RIGHTS RESERVED.

LOC	DIST	REVISIONS					
		P	LTR	DESCRIPTION	DATE	DWN	APVD
-	-	B	-		-	-	-



- NOTES:
1. RATED CURRENT:3.0AMP.
 2. CONTACT RESISTANCE:20mΩ MAX.
 3. WITHSTAND VOLTAGE:1000V AC/DC
 4. INSULATION RESISTANCE:1000MΩ MIN.
 5. OPERATION TEMPERATURE:-40°C TO +105°C
 6. CONTACT MATERIAL:COPPER ALLOY
 7. CONTACT PLATING:
80U" MIN. SN OVERALL ON NI UNDERPLATING
 8. INSULATOR MATERIAL:HIGH TEMPERATURE MATERIAL
 9. RECOMMENDED SOLDERING PROCESS:
REFLOW, PEAK TEMPERATURE:260°C, 5S



RECOMMENDED P.C.B LAYOUT
(COMPONENT SIDE)

TAPE&REEL CAP	0.90	2.50	3	2271605-2
PACKAGING	D	B	POS	PN
PRODUCT FAMILY TABLE				

THIS DRAWING IS A CONTROLLED DOCUMENT.		DWN BO GAO 02JUN2015	STE TE Connectivity			
DIMENSIONS: mm		CHK KOBBY ZHAO				
TOLERANCES UNLESS OTHERWISE SPECIFIED:		APVD XIANG XU	NAME AMPMODU. PIN HDR 2.54PITCH, SMT SINGLE ROW			
0 PLC ± -		PRODUCT SPEC 108-137777				
1 PLC ± -		APPLICATION SPEC	SIZE	CAGE CODE	DRAWING NO	RESTRICTED TO
2 PLC ± 0.25		WEIGHT	A3	00779	C-2271605	-
3 PLC ± -		CUSTOMER DRAWING				
4 PLC ± -		SCALE 1:1		SHEET 1 OF 1		REV B
ANGLES ± -						
FINISH						