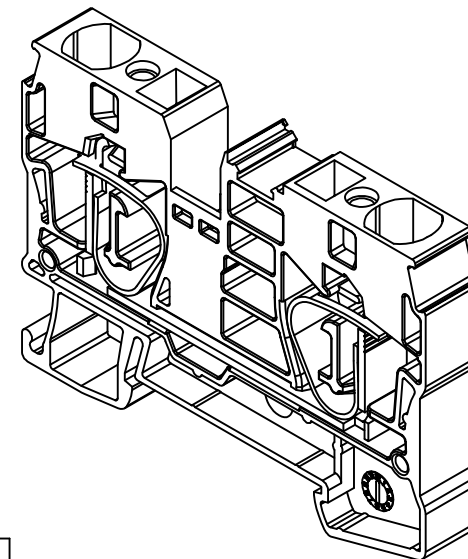
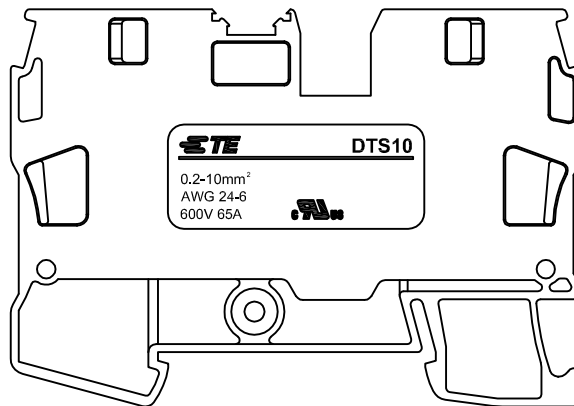
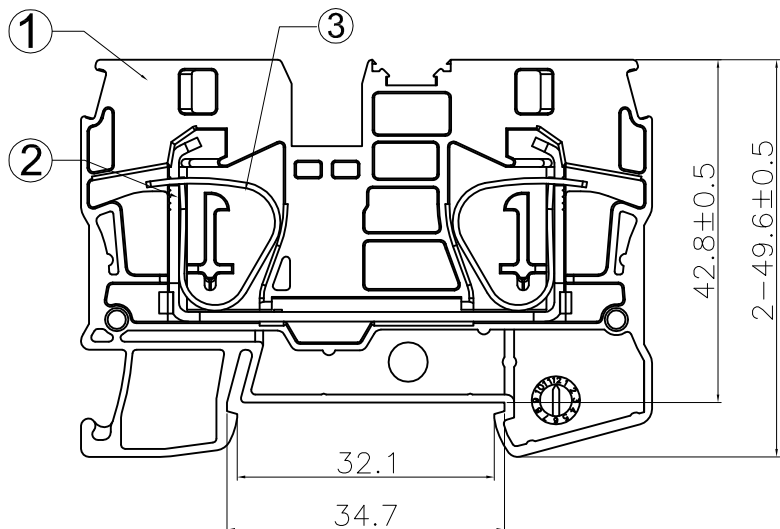


THIS DRAWING IS UNPUBLISHED. RELEASED FOR PUBLICATION
 © COPYRIGHT - By - ALL RIGHTS RESERVED.

REVISIONS				
P	LTR	DESCRIPTION	DATE	APVD
	A	OFFICIAL VERSION RELEASED	18DEC2015	F.Y X.X
	A1	PER ECR-16-000663	15JAN2016	F.Y X.X
	A2	PER ECR-16-006247	16JUN2016	F.Y X.X



ITEM	COMPONENTS	MATERIAL	Q'TY	PLATING
3	SPRING CLAMP	STAINLESS STEEL	2	
2	TERMINAL	COPPER	1	TIN PLATED
1	HOUSING	THERMOPLASTIC	1	



NOTE:

1. Material: See Table
2. Rated current & voltage : 65Amp 600V
3. Rated surge voltage: 8KV
4. Operation temperature : -40°C to +105°C
5. Wire strip length: 16mm -18mm
6. Suitable wire size : 24 - 6AWG
7. Requirement for environmental substance must be compliance with ROHS and REACH.
8. Recommended support rail requirements refer to 114 application specification.

TE SERIES No.	PART NUMBER	COLOR
DTS10	2271589-2	BLUE
	2271589-1	GRAY

THIS DRAWING IS A CONTROLLED DOCUMENT.		DWN FENCER YU 16JUN2016	TE Connectivity		
		CHK KOBBY ZHAO 16JUN2016			
DIMENSIONS: mm 		APVD XIANG XU 16JUN2016	NAME		
TOLERANCES UNLESS OTHERWISE SPECIFIED: 0 PLC ± 0.50 1 PLC ± 0.40 2 PLC ± 0.30 3 PLC ± - 4 PLC ± - ANGLES ± 3°		PRODUCT SPEC 108-137138	10mm ² WIRE 1 IN 1 OUT SPRING CLAMP TYPE TERMINAL BLOCK		
MATERIAL - FINISH -		APPLICATION SPEC 114-137138	SIZE A3	CAGE CODE 00779	DRAWING NO C=2271589
		WEIGHT 24.21 g	RESTRICTED TO -		
CUSTOMER DRAWING			SCALE 1:1	SHEET 1 OF 1	REV A2