

THIS DRAWING IS UNPUBLISHED.

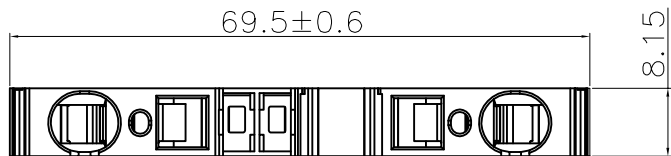
RELEASED FOR PUBLICATION

ALL RIGHTS RESERVED.

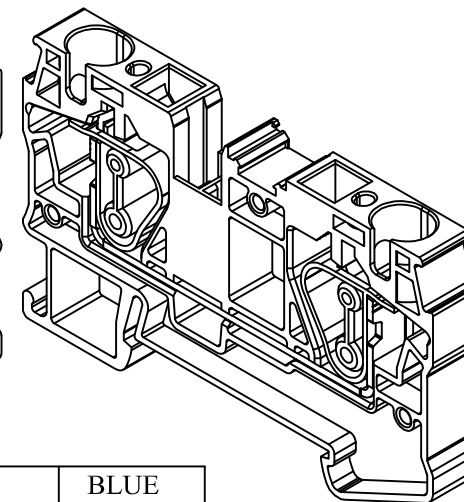
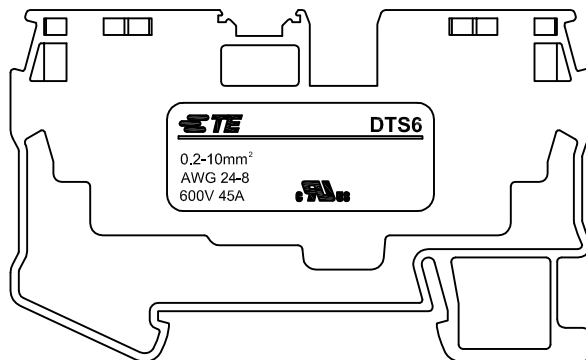
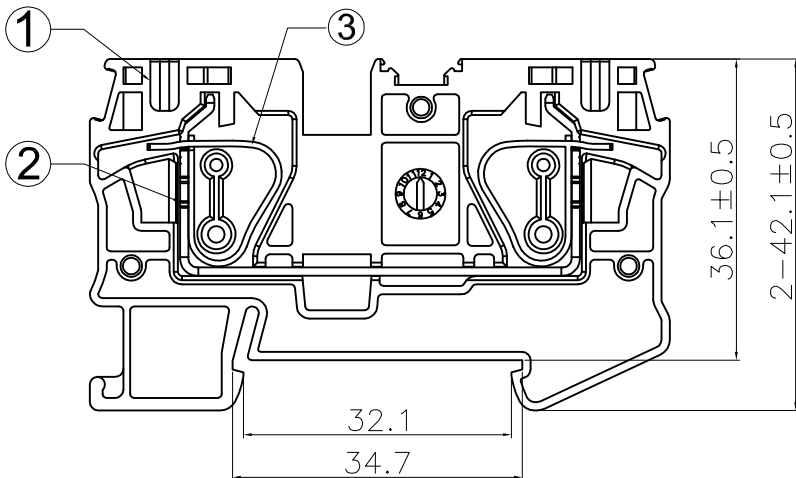
© COPYRIGHT - By -

REVISIONS

P	LTR	DESCRIPTION	DATE	DWN	APVD
A		OFFICIAL VERSION RELEASE	18DEC2015	F.Y	X.X
A1		PER ECR-16-006247	16JUN2016	F.Y	X.X



ITEM	COMPONENTS	MATERIAL	Q'TY	PLATING
3	SPRING CLAMP	STAINLESS STEEL	2	
2	TERMINAL	COPPER	1	TIN PLATED
1	HOUSING	THERMOPLASTIC	1	



DTS6	2271587-2	BLUE
	2271587-1	GRAY
TE SERIES No.	PART NUMBER	COLOR

NOTE:

1. Material: See Table
2. Rated current & voltage : 45Amp 600V
3. Rated surge voltage: 8KV
4. Operation temperature : -40°C to +105°C
5. Wire strip length: 10mm -12mm
6. Suitable wire size : 24 - 8AWG
7. Requirement for environmental substance must be compliance with ROHS and REACH.
8. Recommended support rail requirements refer to 114 application specification.

THIS DRAWING IS A CONTROLLED DOCUMENT.		DWN FENCER YU 16JUN2016	TE Connectivity	
		CHK KOBBY ZHAO 16JUN2016		
DIMENSIONS: mm		APVD XIANG XU 16JUN2016	NAME 6mm~2 WIRE 1 IN 1 OUT SPRING CLAMP TYPE TERMINAL BLOCK	
		PRODUCT SPEC 108-137138	SIZE A3	
TOLERANCES UNLESS OTHERWISE SPECIFIED: 0 PLC ± 0.50 1 PLC ± 0.40 2 PLC ± 0.30 3 PLC ± - 4 PLC ± - ANGLES ± 3°		APPLICATION SPEC 114-137138	CAGE CODE 00779	DRAWING NO C=2271587
MATERIAL -		FINISH -	WEIGHT 17.84 g	RESTRICTED TO -
CUSTOMER DRAWING			SCALE 1:1	SHEET 1 OF 1
			REV A1	