

4

3

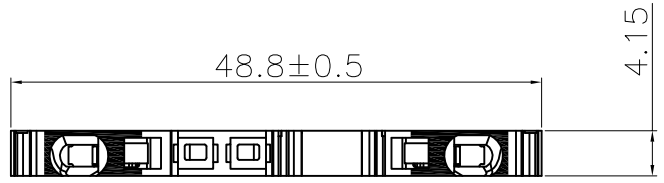
2

1

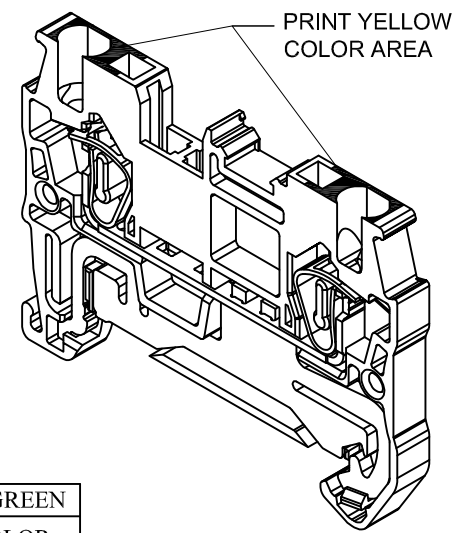
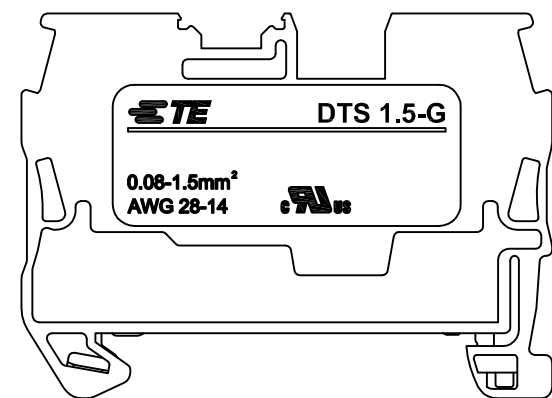
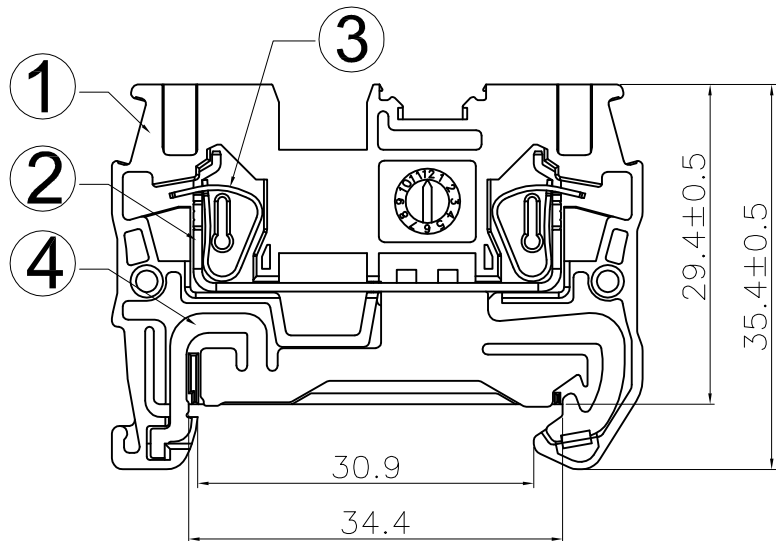
THIS DRAWING IS UNPUBLISHED. RELEASED FOR PUBLICATION - - -

© COPYRIGHT - By - ALL RIGHTS RESERVED.

| REVISIONS | | | | | |
|-----------|-----|--------------------------|-----------|-----|------|
| P | LTR | DESCRIPTION | DATE | DWN | APVD |
| | A | OFFICIAL VERSION RELEASE | 18DEC2015 | F.Y | X.X |
| | A1 | PER ECR-16-006247 | 16JUN2016 | F.Y | X.X |



| ITEM | COMPONENTS | MATERIAL | Q'TY | PLATING |
|------|-----------------|-----------------|------|------------|
| 4 | GROUND TERMINAL | COPPER ALLOY | 1 | TIN PLATED |
| 3 | SPRING CLAMP | STAINLESS STEEL | 2 | |
| 2 | TERMINAL | COPPER | 1 | TIN PLATED |
| 1 | HOUSING | THERMOPLASTIC | 1 | |



| | | |
|---------------|-------------|-------|
| DTS 1.5-G | 2271574-1 | GREEN |
| TE SERIES No. | PART NUMBER | COLOR |

NOTE:

1. Material: See Table
2. Operation temperature : -40°C to +105°C
3. Wire strip length: 8mm -10mm
4. Suitable wire size : 28 - 14 AWG
5. Requirement for environmental substance must be compliance with ROHS and REACH.
6. Recommended support rail requirements refer to 114 application specification.

| | | | | | | | | | | | | | | | | |
|--|-------------|--------------------------------|---|--------------------|--------|-------|--------|-------|-----|-------|-----|--------|------|--------------------------------|--------------------|--|
| THIS DRAWING IS A CONTROLLED DOCUMENT. | | DWN FENCER YU 16JUN2016 | STE TE Connectivity | | | | | | | | | | | | | |
| | | CHK KOBBY ZHAO 16JUN2016 | | | | | | | | | | | | | | |
| DIMENSIONS: mm | | APVD XIANG XU 16JUN2016 | NAME 1.5mm ² WIRE 1 IN 1 OUT SPRING CLAMP TYPE TERMINAL BLOCK WITH GROUND FUNCTION | | | | | | | | | | | | | |
| TOLERANCES UNLESS OTHERWISE SPECIFIED: | | PRODUCT SPEC 108-137142 | SIZE A3 | | | | | | | | | | | | | |
| <table border="0"> <tr><td>0 PLC</td><td>± 0.50</td></tr> <tr><td>1 PLC</td><td>± 0.40</td></tr> <tr><td>2 PLC</td><td>± 0.30</td></tr> <tr><td>3 PLC</td><td>± -</td></tr> <tr><td>4 PLC</td><td>± -</td></tr> <tr><td>ANGLES</td><td>± 3°</td></tr> </table> | | 0 PLC | ± 0.50 | 1 PLC | ± 0.40 | 2 PLC | ± 0.30 | 3 PLC | ± - | 4 PLC | ± - | ANGLES | ± 3° | APPLICATION SPEC 114-137138 | CAGE CODE 00779 | |
| 0 PLC | ± 0.50 | | | | | | | | | | | | | | | |
| 1 PLC | ± 0.40 | | | | | | | | | | | | | | | |
| 2 PLC | ± 0.30 | | | | | | | | | | | | | | | |
| 3 PLC | ± - | | | | | | | | | | | | | | | |
| 4 PLC | ± - | | | | | | | | | | | | | | | |
| ANGLES | ± 3° | | | | | | | | | | | | | | | |
| MATERIAL - | FINISH - | WEIGHT 8.0 g | DRAWING NO C=2271574 | | | | | | | | | | | | | |
| CUSTOMER DRAWING | | | SCALE 1:1 | SHEET 1 OF 1 | | | | | | | | | | | | |
| | | | REV A1 | RESTRICTED TO - | | | | | | | | | | | | |