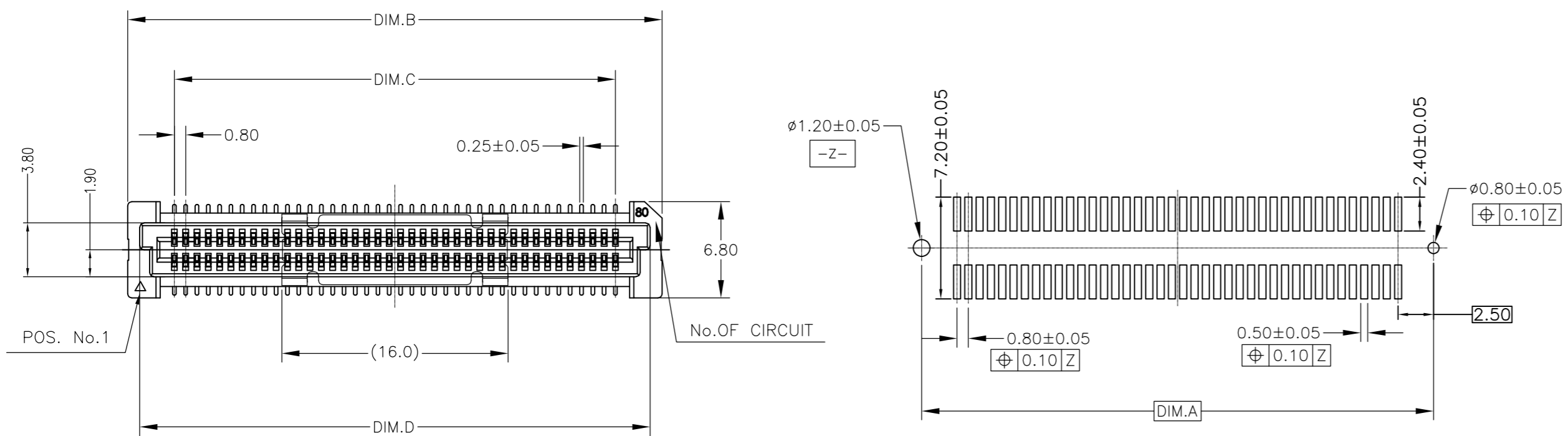


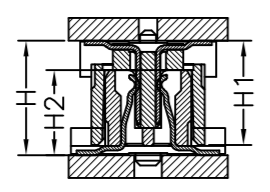
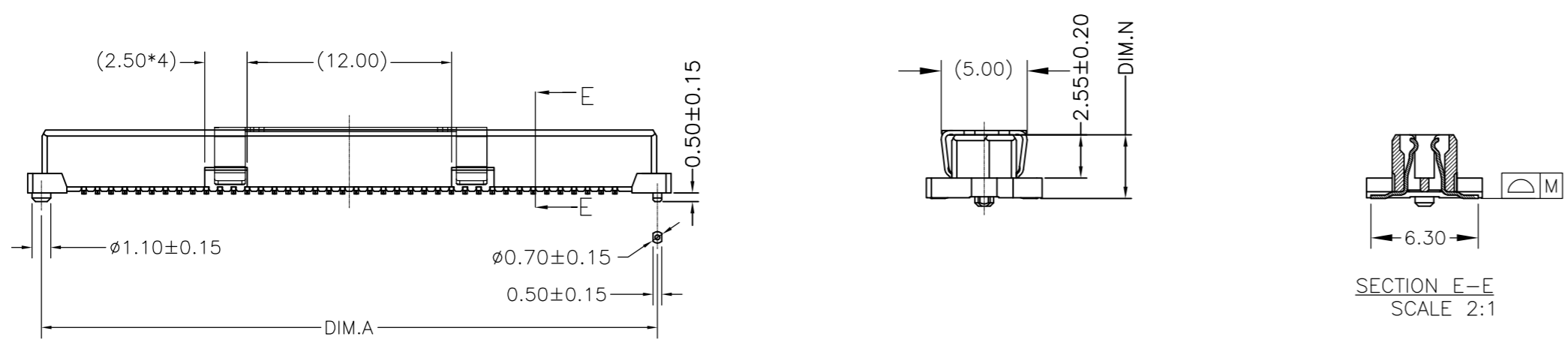
THIS DRAWING IS UNPUBLISHED. RELEASED FOR PUBLICATION
 © COPYRIGHT - By - ALL RIGHTS RESERVED.

LOC		DIST		REVISIONS			
P	LTR	DESCRIPTION	DATE	DWN	APVD		
-	-	SEE SHEET 1	-	-	-		



RECOMMENDED P.C.B LAYOUT
(COMPONENT SIDE)

- PRODUCT SPECIFICATION:
- 1.CURRENT RATING:0.5AMP
 - 2.CONTACT RESISTANCE:30mΩ MAX
 - 3.WITHSTAND VOLTAGE:100V AC/DC
 - 4.INSULATION RESISTANCE:500MΩ MIN
 - 5.OPERATION TEMPERATURE:-40°C TO +125°C
 - 6.CONTACT MATERIAL:COPPER ALLOY
 - 7.CAP MATERIAL:SUS,T=0.25MM
 - 8.HOUSING MATERIAL:HIGH TEMPRATURE MATERIAL (UL94V-0), NATURE
 - 9.PACKING:TAPE&REEL+CAP
 - 10.COPLANARITY: <80PINS THE "M" IS 0.10MM MAX
≥80PINS THE "M" IS 0.12MM MAX
FOR ALL CONTACTS
 - 11.RECOMMEDED SOLDERING PROCESS: REFLOW
PEAK TEMPERATURE: 260°C



ASSEMBLY

11.75	*-2271077-*
7.75	*-2271076-*
3.75	*-2271075-*
DIM.N (FEMALE HEIGHT)	PART NUMBER LIST

ASS'Y HEIGHT (H)	PLUG (H1)	SOCKET (H2)	ASS'Y HEIGHT (H)	PLUG (H1)	SOCKET (H2)	ASS'Y HEIGHT (H)	PLUG (H1)	SOCKET (H2)
5.00	4.60	3.75	9.00	4.60	7.75	13.00	4.60	11.75
6.00	5.60		10.00	5.60				
7.00	6.60		11.00	6.60				
8.00	7.60	12.00	7.60					

FINISH	DIM				POS	PN
	DIM D	DIM.C	DIM.B	DIM.A		
10U"GOLD/MATTE TIN	84.10	79.20	85.80	84.20	200	1-2271075-9
	76.10	71.20	77.80	76.20	180	1-2271075-8
	68.10	63.20	69.80	68.20	160	1-2271075-7
	60.10	55.20	61.80	60.20	140	1-2271075-6
	52.10	47.20	53.80	52.20	120	1-2271075-5
	44.10	39.20	45.80	44.20	100	1-2271075-4
	36.10	31.20	37.80	36.20	80	1-2271075-3
	28.10	23.20	29.80	28.20	60	1-2271075-2
3U"GOLD/MATTE TIN	84.10	79.20	85.80	84.20	200	2271075-9
	76.10	71.20	77.80	76.20	180	2271075-8
	68.10	63.20	69.80	68.20	160	2271075-7
	60.10	55.20	61.80	60.20	140	2271075-6
	52.10	47.20	53.80	52.20	120	2271075-5
	44.10	39.20	45.80	44.20	100	2271075-4
	36.10	31.20	37.80	36.20	80	2271075-3
	28.10	23.20	29.80	28.20	60	2271075-2

THIS DRAWING IS A CONTROLLED DOCUMENT.

DIMENSIONS: mm

TOLERANCES UNLESS OTHERWISE SPECIFIED:

0 PLC	±
1 PLC	±
2 PLC	± 0.30
3 PLC	±
4 PLC	±
ANGLES	± 3°

MATERIAL: SEE TABLE

FINISH: SEE NOTE

APPROVALS:

DWN	BO CAO
CHK	KOBBY ZHAO
APVD	XIANG XU

PRODUCT SPEC: 108-137026

APPLICATION SPEC: -

WEIGHT: -

CUSTOMER DRAWING

TE Connectivity

NAME: AMPMODU, RECEPTACLE, 0.80 PITCH
FH, 3.75 HEIGHT, SMT TYPE

SIZE: A2 CAGE CODE: 00779 DRAWING NO: 2271075 RESTRICTED TO: -

SCALE: 2:1 SHEET: 1 OF 1 REV: A