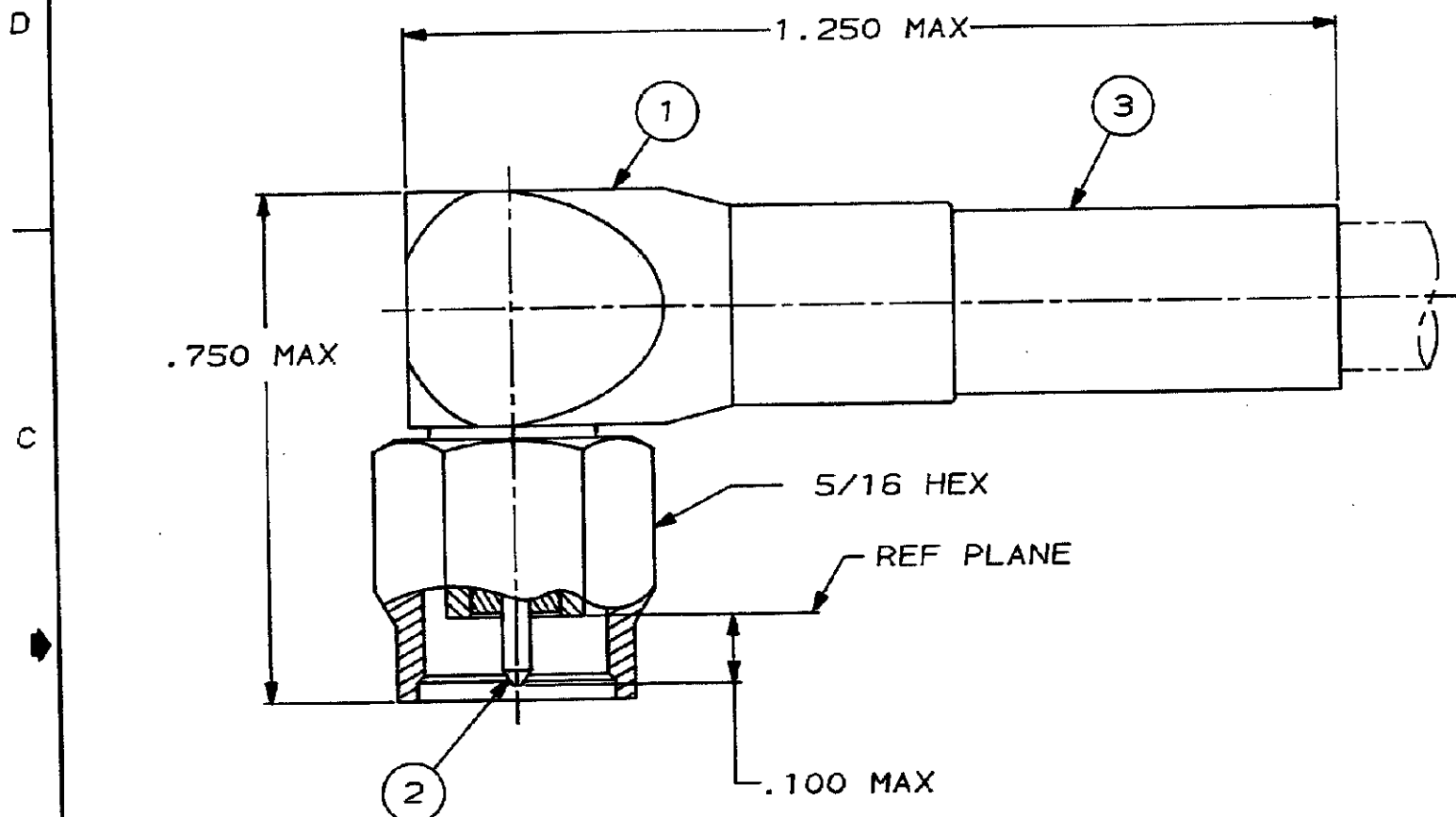


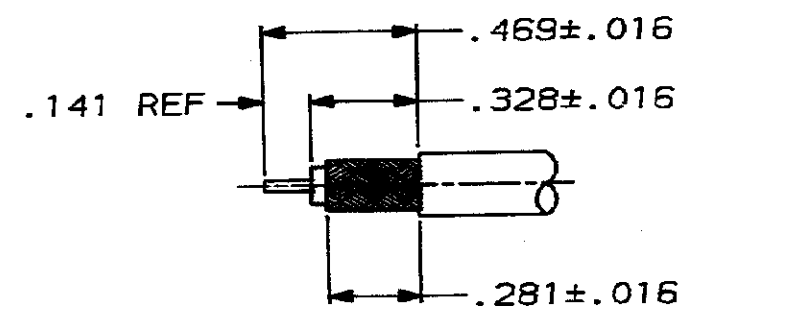
DRAWING MADE IN THIRD ANGLE PROJECTION
 THIS DRAWING IS UNPUBLISHED. RELEASED FOR PUBLICATION, 19
 © COPYRIGHT 19 BY AMP INCORPORATED. ALL INTERNATIONAL RIGHTS RESERVED.

LOC	DIST	P	F	ZONE	LTR	REVISIONS	DATE	APPD
AJ	16					D REV & REDWN PER AJ-3218	10-19-88	LM/SM



1. FOR USE WITH: RG-58A/U & 58C/U CABLE
2. CRIMP WITH TOOL: 220061-1
3. SEE I.S. 2322
4. 00779M39012/56B3021

QTY	PART NUMBER	DESCRIPTION	ITEM
1	225619-2	FERRULE	3
1	225546-1	CONTACT	2
1	225566-1	RTANG PLUG ASSY	1



RECOMMENDED STRIP LENGTH
 SCALE: 2:1

DO NOT SCALE PRINT. UNLESS SPECIFIED DIMENSIONS IN INCHES TOLERANCES ON: 2 PLC DEC ± _____ 3 PLC DEC ± _____ ANGLES ± _____		DR L. A. MOSCOSO 9-29-88 CHK S. J. MAGARO 9/30/88 APPD N. L. GUSTIN 11/21/88 APPD S. J. MAGARO 11/23/88	PART NO	
MATERIAL _____		AMP INCORPORATED Harrisburg, Pa. 17105		
FINISH _____		RTANG PLUG, SERIES SMA		
WEIGHT _____		SIZE B	FSCH NO 00779	DRAWING NO 225609-1
		SCALE 5:1	SHEET 1 OF 1	

CUSTOMER DRAWING